

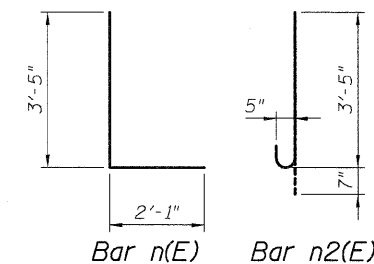
F.A.I.	SECTION	COUNTY	TOTAL SHEETS	SHEET NO.
94/90	*	COOK	32	17
STA.	TO STA.			
FED. ROAD DIST. NO.	ILLINOIS	FED. AID PROJECT		
62997				

**DETAIL C REINFORCEMENT SCHEDULE AND BILL OF MATERIAL**

Bar	No.	Size	Length	Shape
h(E)	8	#4	20'-9"	—
n(E)	22	#6	5'-6"	L
n2(E)	22	#5	4'-0"	┌
t(E)	22	#6	3'-8"	—
t1(E)	3	#4	4'-0"	—
w(E)	4	#4	20'-8"	—
Item	Unit	Qty.		
① Concrete Structures	Cu. Yd.	3.3		
② Concrete Superstructure	Cu. Yd.	2.8		
Reinforcement Bars, Epoxy Coated	Pound	570		
Protective Coat	Sq. Yd.	12		

**NOTES:**

- All stations and offsets measured from S. Wentworth Ave.  $\perp$ .
- Back Face is face adjacent to Frontage Rd. and Front Face is face adjacent to Expressway.
- Concrete:  $f'c = 3500$  psi
- Provide California Finish on top of foundation between stem and Frontage Road. See Roadway Details.
- At locations where Fluted Knee Wall abuts a rigid Structure, a 2" thick Preformed Expansion Joint Filler conforming to the shape of the Structure shall be installed between the Fluted Knee Wall and the Structure.
- Apply Protective Coat to top and back face of stem and top of Frontage Road side of foundation.
- For Fluted Knee Wall standard details, see Sheet SD-1
- B.F. = Back Face (Frontage Road Side)  
F.F. = Front Face (Expressway Side)  
E.F. = Each Face
- Shape finished grade as required to match existing conditions.
- P.J.F. included in cost of concrete structures.



SHEET SD-3

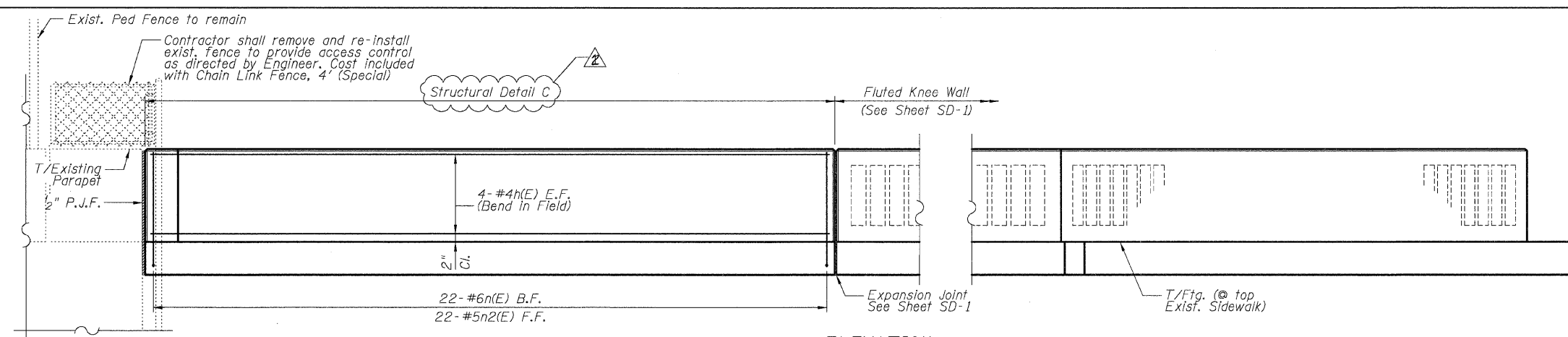
REVISIONS		DATE
NO.	NAME	DATE
1	ADDENDUM I	7-16-08

ILLINOIS DEPARTMENT OF TRANSPORTATION  
F.A.I. 94/90 (DAN RYAN EXPRESSWAY)  
SOUTHBOUND KNEE WALLS (ROOT ST TO PERSHING RD)

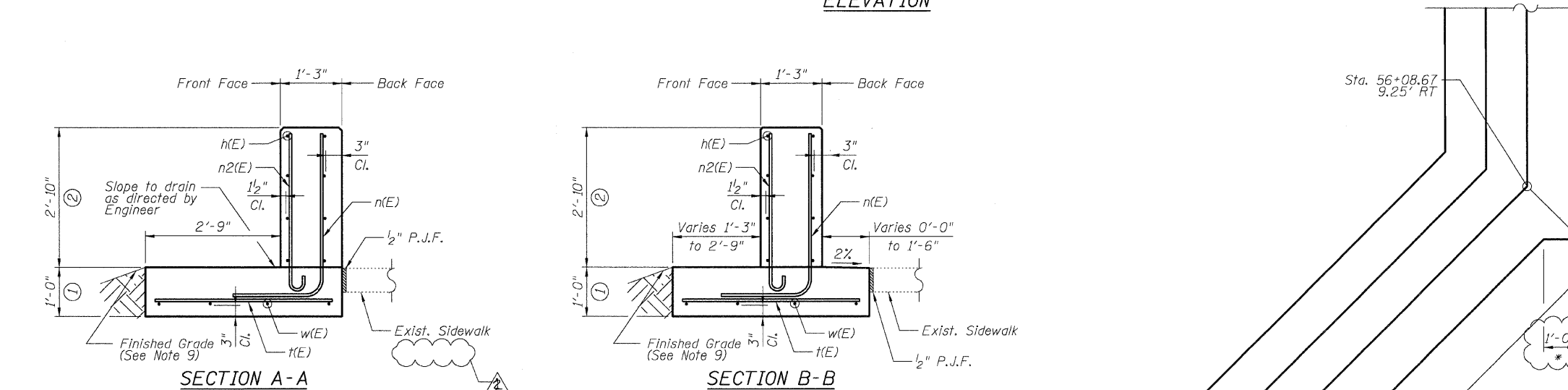
**DETAIL C**

SCALE: NTS  
DATE: 04/25/08

DRAWN BY: TL  
CHECKED BY: BLU

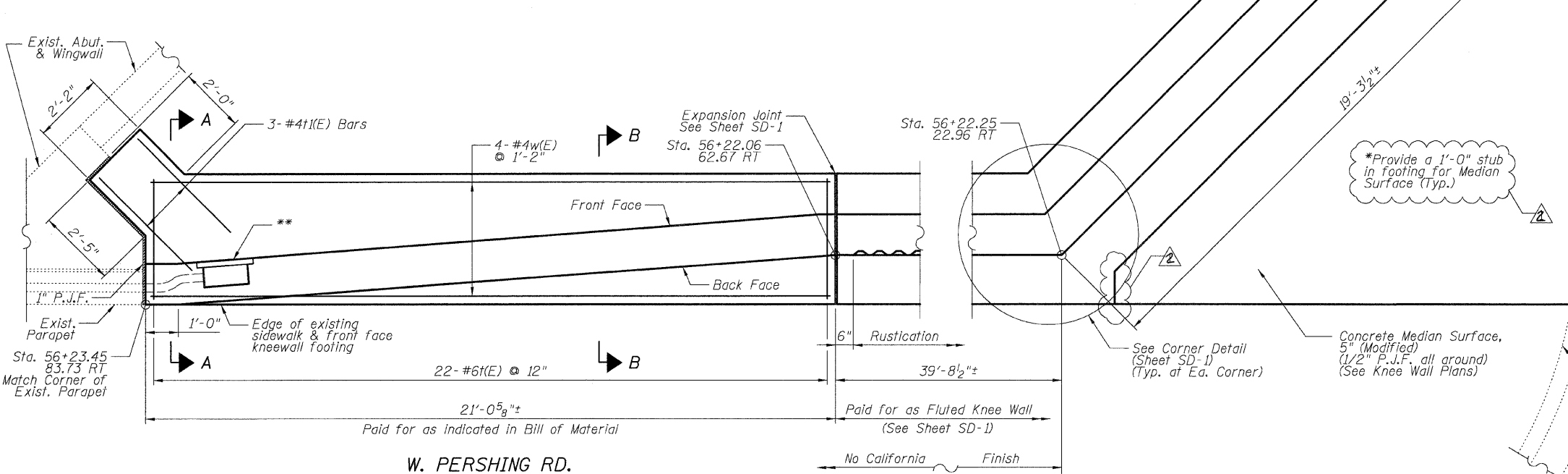


**ELEVATION**



**SECTION A-A**

**SECTION B-B**



**PLAN**

\*\* Contractor shall provide a stainless steel junction box and cover flush with the front face of Knee Wall and extend existing conduit from end of exiting parapet as directed by the Engineer. Cost incidental to Concrete Superstructures

BOWMAN, BARRETT & ASSOCIATES INC.  
CONSULTING ENGINEERS  
Chicago, Illinois  
312.228.0100  
www.bbainc.com

11/16/2008 6:03:48 PM