



F.A. RTE.	SECTION	COUNTY	TOTAL SHEETS	SHEET NO.
N/A	06-00017-00-PV	KANE	232	121
STA.		TO STA.		
FED. ROAD DIST. NO.		ILLINOIS	FED. AID PROJECT	

PLAN	SURVEYED	DATE
NO.	BY	
NOTE BOOK	PLOTTED	
NO.	RECORDED	
	STRUCTURE	
	NOTATIONS	
	CHKD	
	FILE NAME	

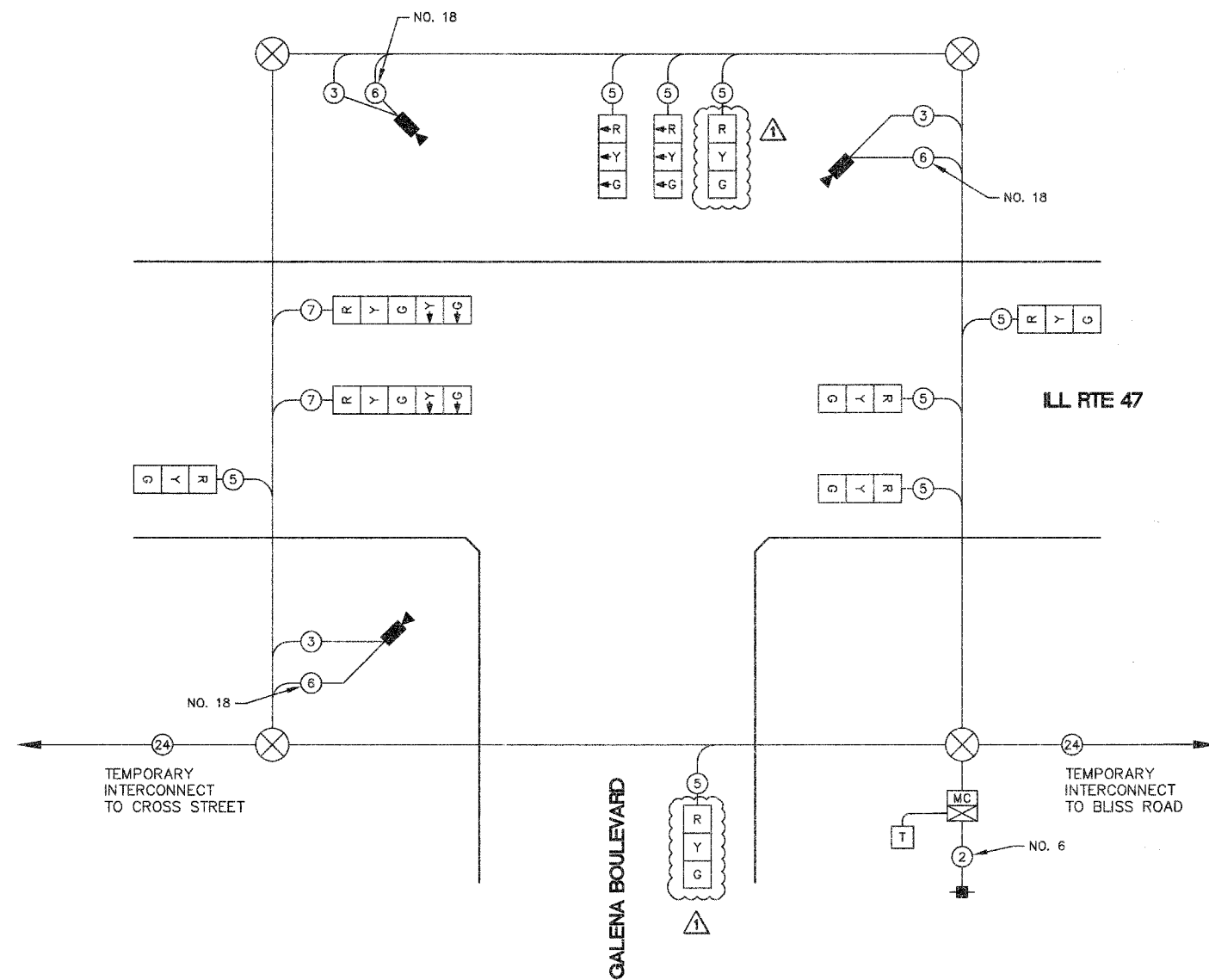
PROFILE	SURVEYED	DATE
NO.	BY	
NOTE BOOK	PLOTTED	
NO.	RECORDED	
	STRUCTURE	
	NOTATIONS	
	CHKD	
	FILE NAME	

**TEMPORARY CABLE PLAN**  
**STAGE 1**  
 N.T.S.

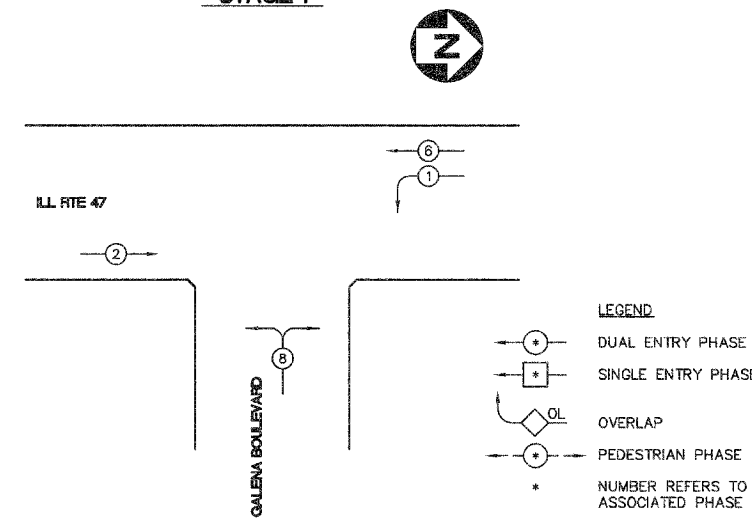


**TEMPORARY CABLE DIAGRAM LEGEND**

- R TEMPORARY TRAFFIC SIGNAL SECTION OR PEDESTRIAN SIGNAL SECTION 12" (300mm)
- X TEMPORARY CONTROLLER CABINET
- MC TEMPORARY MASTER CONTROLLER
- + TEMPORARY SERVICE INSTALLATION
- 5 INDICATES NUMBER OF CONDUCTORS IN CABLE. ALL CONDUCTORS TO BE NUMBER 14 AWG WIRE UNLESS OTHERWISE NOTED.
- 24 TEMPORARY INTERCONNECT CABLE NO 62.5/1250 MM 12F AND SM 12F FIBER OPTIC CABLE
- EMERGENCY VEHICLE DETECTOR
- CONFIRMATION BEACON
- VEHICLE DETECTOR, INDUCTION LOOP
- PEDESTRIAN PUSHBUTTON DETECTOR
- 12" (300mm) PEDESTRIAN SIGNAL SECTION
- VIDEO VEHICLE SENSOR
- T TELEPHONE CONNECTION



**TEMPORARY CONTROLLER SEQUENCE**  
**STAGE 1**



**TEMPORARY PHASE DESIGNATION DIAGRAM**

- LEGEND**
- \* DUAL ENTRY PHASE
  - + SINGLE ENTRY PHASE
  - OL OVERLAP
  - PEDESTRIAN PHASE
  - \* NUMBER REFERS TO ASSOCIATED PHASE

I.D.O.T. TRAFFIC SIGNAL INSTALLATION ELECTRICAL SERVICE REQUIREMENTS				TOTAL WATTAGE
TYPE	NO. LAMPS	WATTAGE (INCAND. / LED)	% OPERATIONS	
SIGNAL (RED)	10	17	0.50	85.00
(YELLOW)	10	25	0.25	62.50
(GREEN)	10	15	0.25	37.50
ARROW	4	12	0.10	4.80
PED. SIGNAL	1	25	1.00	25.00
CONTROLLER	1	100	1.00	100.00
ILLUM. SIGN	1	-	0.05	-
FLASHER			0.50	-
TOTAL =				289.80

ENERGY COST - BILLED TO: VILLAGE OF SUGAR GROVE  
 (ADDRESS) 10 MUNICIPAL DRIVE  
 SUGAR GROVE, IL 60554

ENERGY SUPPLY - CONTACT: MARK SCHERIBEL  
 PHONE: 630-862-5160  
 COMPANY: COMED

REVISIONS	
NAME	DATE

ILLINOIS DEPARTMENT OF TRANSPORTATION

**ILL RTE 47 AND GALENA BOULEVARD TEMPORARY SIGNAL CABLE PLAN, PHASE DESIGNATION DIAGRAM (STAGE 1)**

SCALE: NTS  
 DATE: 05/16/08

DRAWN BY: KKP  
 CHECKED BY: TVW

REVISED 7/17/08