

|                     |                |                  |              |           |
|---------------------|----------------|------------------|--------------|-----------|
| F.A. RTE.           | SECTION        | COUNTY           | TOTAL SHEETS | SHEET NO. |
| N/A                 | D6-00017-00-PV | KANE             | 232          | 123       |
| STA.                | TO STA.        |                  |              |           |
| FED. ROAD DIST. NO. | ILLINOIS       | FED. AID PROJECT |              |           |

**TEMPORARY CABLE PLAN**

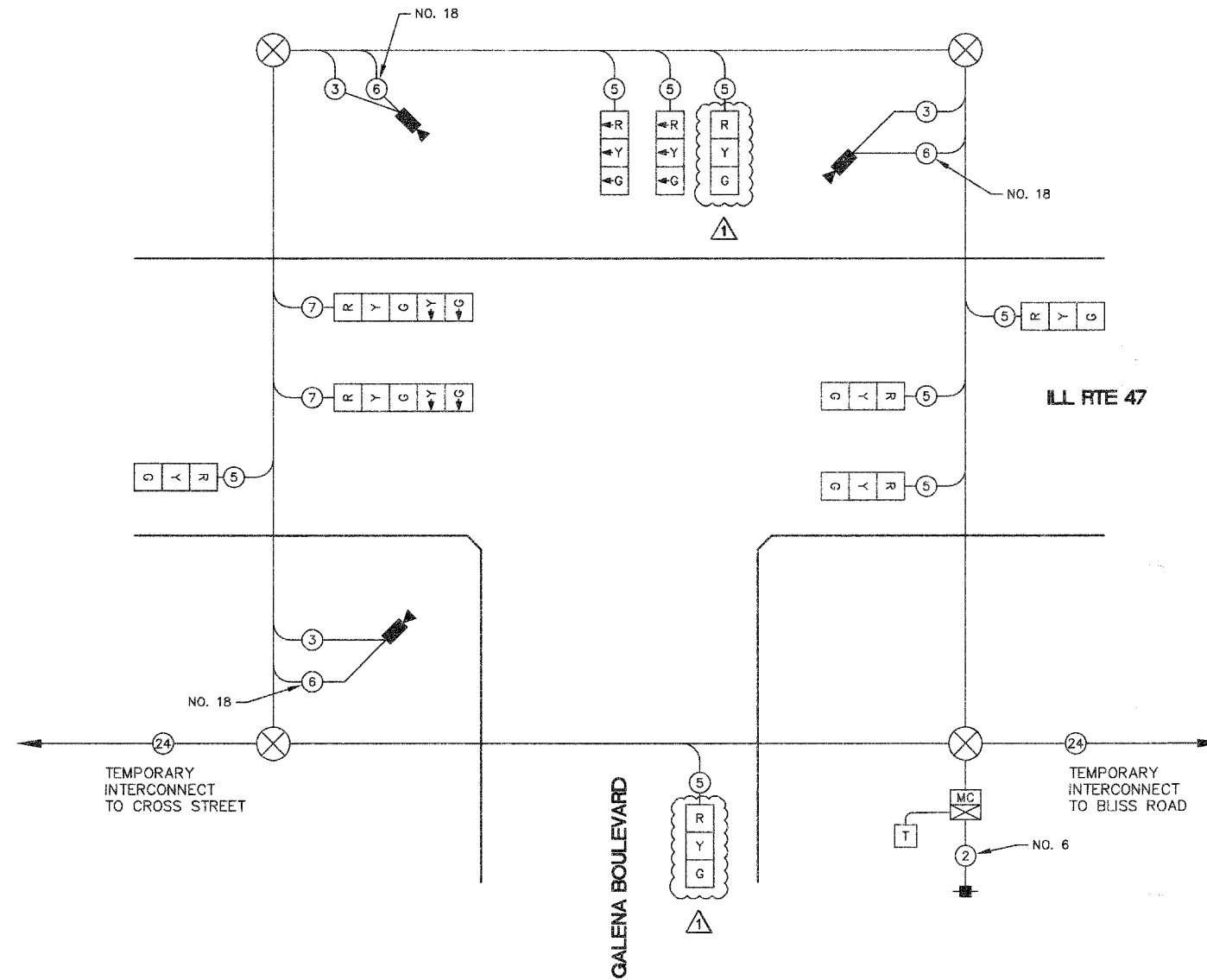
**STAGE 2**

N.T.S.

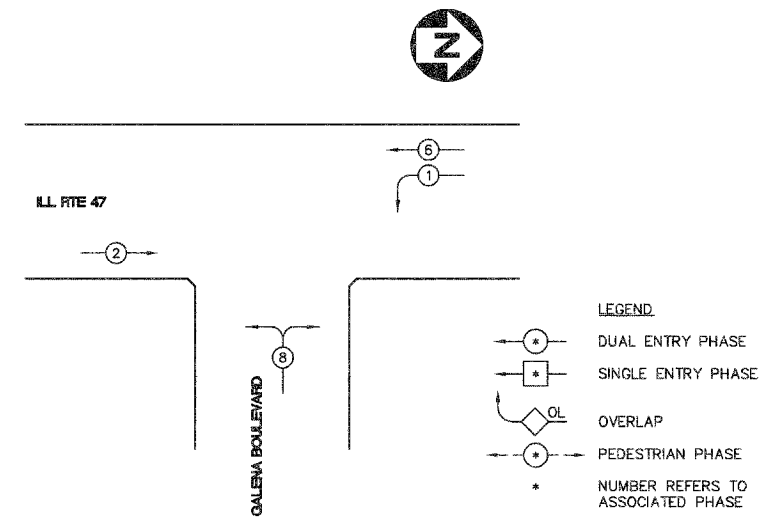


**TEMPORARY CABLE DIAGRAM LEGEND**

- R TEMPORARY TRAFFIC SIGNAL SECTION OR PEDESTRIAN SIGNAL SECTION 12" (300mm)
- X TEMPORARY CONTROLLER CABINET
- MC TEMPORARY MASTER CONTROLLER
- + TEMPORARY SERVICE INSTALLATION
- 5 INDICATES NUMBER OF CONDUCTORS IN CABLE. ALL CONDUCTORS TO BE NUMBER 14 AWG WIRE UNLESS OTHERWISE NOTED.
- 24 TEMPORARY INTERCONNECT CABLE NO 62.5/1250 MM 12F AND SM 12F FIBER OPTIC CABLE
- EMERGENCY VEHICLE DETECTOR
- CONFIRMATION BEACON
- VEHICLE DETECTOR, INDUCTION LOOP
- PEDESTRIAN PUSHBUTTON DETECTOR
- 12" (300mm) PEDESTRIAN SIGNAL SECTION
- VIDEO VEHICLE SENSOR
- T TELEPHONE CONNECTION



**TEMPORARY CONTROLLER SEQUENCE**  
**STAGE 2**



**TEMPORARY PHASE DESIGNATION DIAGRAM**

|           |      |
|-----------|------|
| PLAN      | DATE |
| SURVEYED  | BY   |
| PLOTTED   | DATE |
| FILED     |      |
| NOTE BOOK |      |
| NO.       |      |

|           |      |
|-----------|------|
| PROFILE   | DATE |
| SURVEYED  | BY   |
| PLOTTED   | DATE |
| FILED     |      |
| NOTE BOOK |      |
| NO.       |      |

| I.D.O.T. TRAFFIC SIGNAL INSTALLATION ELECTRICAL SERVICE REQUIREMENTS |           |                       |              | TOTAL WATTAGE |
|--|-----------|-----------------------|--------------|---------------|
| TYPE   | NO. LAMPS | WATTAGE INCAND. (LED) | % OPERATIONS |               |
| SIGNAL (RED)   | 10        | 17                    | 0.50         | 85.00         |
| (YELLOW)   | 10        | 25                    | 0.25         | 62.50         |
| (GREEN)  | 10        | 15                    | 0.25         | 37.50         |
| ARROW  | 4         | 12                    | 0.10         | 4.80          |
| PED. SIGNAL  | 1         | 25                    | 1.00         | 25.00         |
| CONTROLLER   | 1         | 100                   | 1.00         | 100.00        |
| ILLUM. SIGN  | 1         | -                     | 0.05         | 0.50          |
| FLASHER  |           |                       | 0.50         | 0.50          |
| TOTAL =  |           |                       |              | 289.80        |

ENERGY COST -- BILLED TO: VILLAGE OF SUGAR GROVE  
 (ADDRESS) 10 MUNICIPAL DRIVE  
 SUGAR GROVE, IL 60554

ENERGY SUPPLY -- CONTACT: MARK SCHERIBEL  
 PHONE: 630-862-5160  
 COMPANY: COMED

| REVISIONS |      |
|-----------|------|
| NAME      | DATE |
|           |      |
|           |      |
|           |      |
|           |      |
|           |      |
|           |      |
|           |      |
|           |      |
|           |      |
|           |      |

ILLINOIS DEPARTMENT OF TRANSPORTATION

**ILL RTE 47 AND GALENA BOULEVARD TEMPORARY SIGNAL CABLE PLAN, PHASE DESIGNATION DIAGRAM (STAGE 2)**

SCALE: NTS  
DATE: 05/16/08

DRAWN BY: KKP  
CHECKED BY: TVW

REVISED 7/17/08