

F.A. RTE.	SECTION	COUNTY	TOTAL SHEETS	SHEET NO.
N/A	06-00017-00-PV	KANE	232	127
STA.		TO STA.		
FED. ROAD DIST. NO. _		ILLINOIS FED. AID PROJECT		

**TEMPORARY CABLE PLAN**

**STAGE 4**

N.T.S.

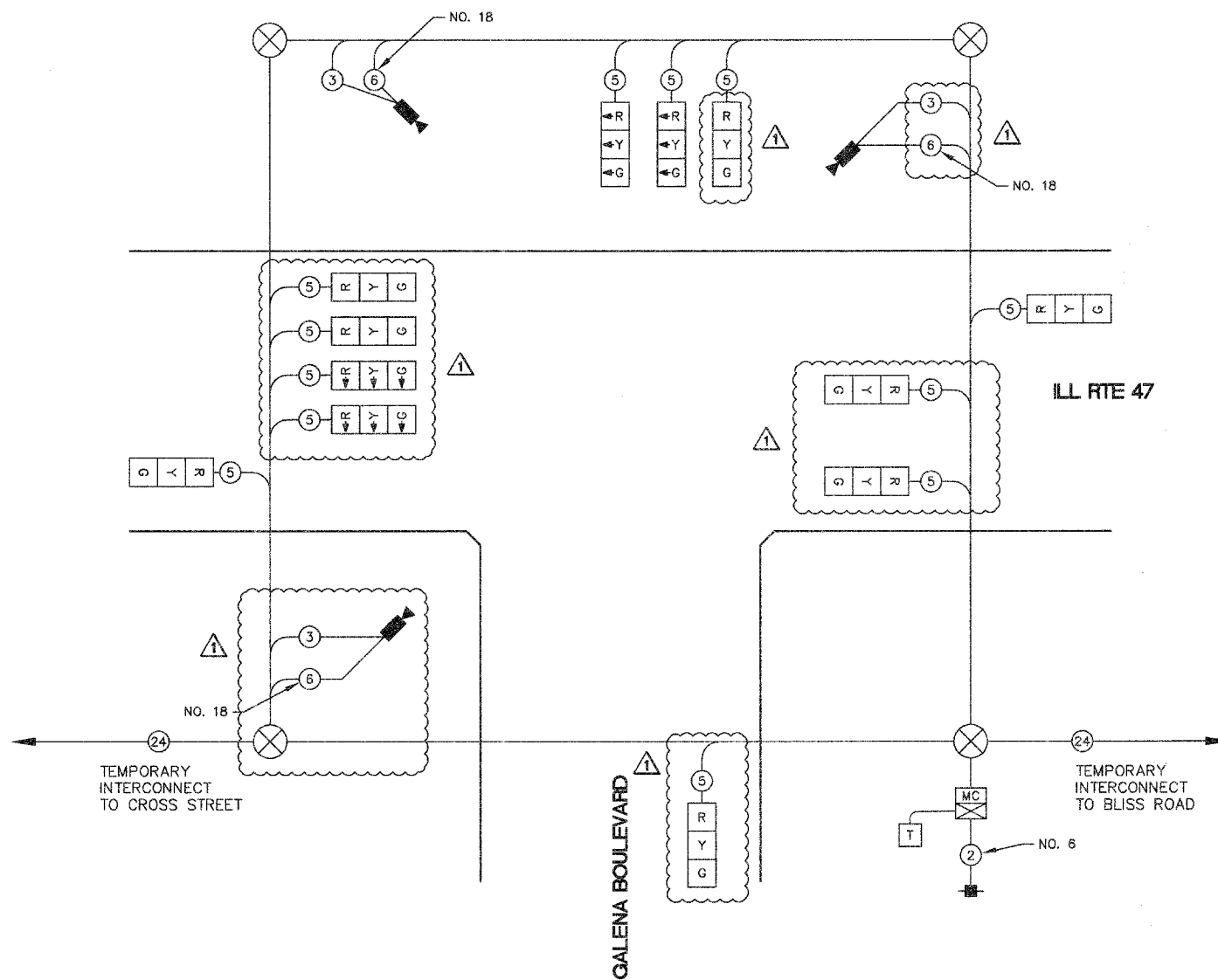


PLAN	SURVEYED	DATE
	PLOTTED	
	ALIGNMENT CHECKED	
	NOTE BOOK CHECKED	
	STRUCTURE NOTATION CHECKED	
	CADD FILE NAME	
	NO.	

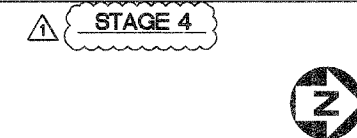
PROFILE	SURVEYED	DATE
	PLOTTED	
	GRADES CHECKED	
	STRUCTURE NOTATION CHECKED	
	NO.	

**TEMPORARY CABLE DIAGRAM LEGEND**

- R TEMPORARY TRAFFIC SIGNAL SECTION OR PEDESTRIAN SIGNAL SECTION 12" (300mm)
- X TEMPORARY CONTROLLER CABINET
- MC TEMPORARY MASTER CONTROLLER
- + TEMPORARY SERVICE INSTALLATION
- ⑤ INDICATES NUMBER OF CONDUCTORS IN CABLE. ALL CONDUCTORS TO BE NUMBER 14 AWG WIRE UNLESS OTHERWISE NOTED.
- ②④ TEMPORARY INTERCONNECT CABLE NO 62.5/1250 MM 12F AND SM 12F FIBER OPTIC CABLE
- EMERGENCY VEHICLE DETECTOR
- CONFIRMATION BEACON
- VEHICLE DETECTOR, INDUCTION LOOP
- PEDESTRIAN PUSHBUTTON DETECTOR
- 12" (300mm) PEDESTRIAN SIGNAL SECTION
- VIDEO VEHICLE SENSOR
- T TELEPHONE CONNECTION



**TEMPORARY CONTROLLER SEQUENCE**



ILL RTE 47

ILL RTE 47

GALENA BOULEVARD

- LEGEND**
- DUAL ENTRY PHASE
  - SINGLE ENTRY PHASE
  - OL OVERLAP
  - PEDESTRIAN PHASE
  - NUMBER REFERS TO ASSOCIATED PHASE

**TEMPORARY PHASE DESIGNATION DIAGRAM**

I.D.O.T. TRAFFIC SIGNAL INSTALLATION ELECTRICAL SERVICE REQUIREMENTS				TOTAL WATTAGE
TYPE	NO. LAMPS	WATTAGE INCAND. / LED	% OPERATIONS	
SIGNAL (RED)	12	17	0.50	102.00
(YELLOW)	12	23	0.25	75.00
(GREEN)	12	15	0.25	45.00
ARROW	-	12	0.10	-
PED. SIGNAL	-	25	1.00	-
CONTROLLER	1	100	1.00	100.00
ILLUM. SIGN	-	-	0.05	-
FLASHER	-	-	0.50	-
TOTAL =				322.00

ENERGY COST - BILLED TO: VILLAGE OF SUGAR GROVE  
 (ADDRESS) 10 MUNICIPAL DRIVE  
 SUGAR GROVE, IL 60554

ENERGY SUPPLY - CONTACT: MARK SCHERIBEL  
 PHONE: 630-862-5160  
 COMPANY: COMED

REVISIONS	
NAME	DATE

ILLINOIS DEPARTMENT OF TRANSPORTATION

**ILL RTE 47 AND GALENA BOULEVARD TEMPORARY SIGNAL CABLE PLAN, PHASE DESIGNATION DIAGRAM (STAGE 4)**

SCALE: NTS  
 DATE: 05/16/08

DRAWN BY: KKP  
 CHECKED BY: TWV

REVISED 7/17/08