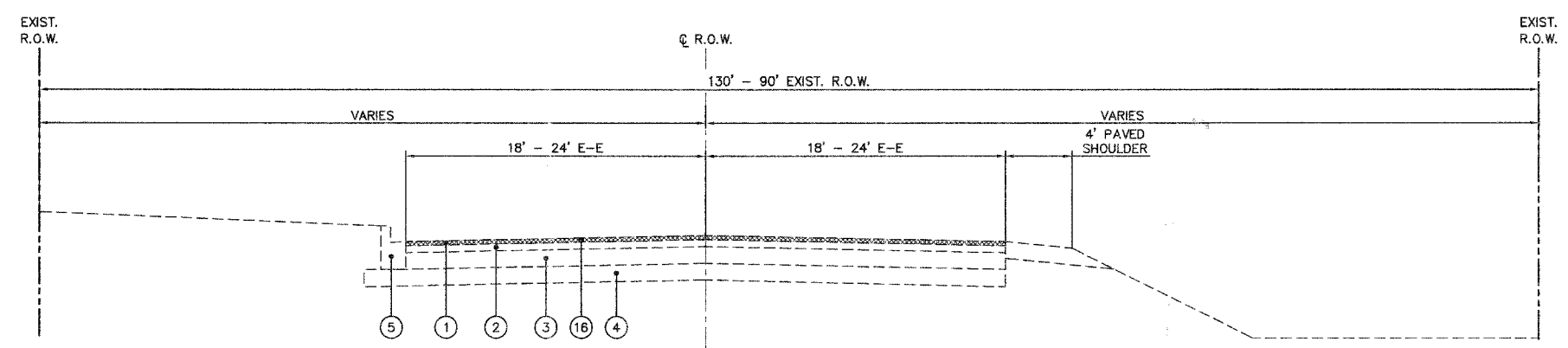


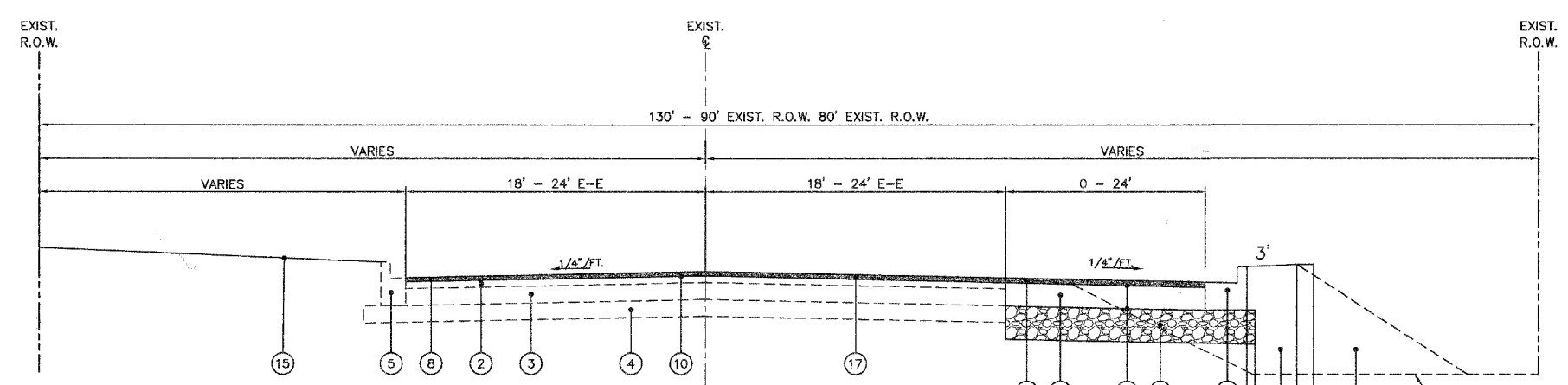


F.A. RTE.	SECTION	COUNTY	TOTAL SHEETS	SHEET NO.
N/A	06-00017-00-PV	KANE	232	19
STA.		TO STA.		
FED. ROAD DIST. NO. _		ILLINOIS FED. AID PROJECT		

PLAN	SURVEYED	DATE
	PLOTTED	
	ALIGNMENT CHECKED	
	BY	
	NOTE BOOK NO.	
	FILE NAME	



EXISTING PAVEMENT CROSS SECTION  
GALENA BOULEVARD  
STATION 231+50 TO STATION 249+66



PROPOSED PAVEMENT CROSS SECTION  
GALENA BOULEVARD  
STATION 231+50 TO STATION 249+66

**LEGEND**

- |  |  |
|--|--|
| ① EXISTING BITUMINOUS CONCRETE SURFACE, 1.5"                   | ⑩ BITUMINOUS MATERIAL (PRIME COAT)                                     |
| ② EXISTING BITUMINOUS CONCRETE BINDER, 2.5"                    | ⑪ AGGREGATE SUBGRADE, 12"  |
| ③ EXISTING BITUMINOUS BASE COURSE, 6"                          | ⑫ COMBINATION CONCRETE CURB AND GUTTER, B-6.24                         |
| ④ EXISTING AGGREGATE CASE COURSE, 6"                           | ⑬ HOT-MIX ASPHALT SURFACE COURSE, MIX "C", N50, 2"                     |
| ⑤ EXISTING COMBINATION CONCRETE CURB AND GUTTER, B-6.12        | ⑭ SUB-BASE GRANULAR MATERIAL, TYPE B, 8"                               |
| ⑥ EXISTING PORTLAND CEMENT CONCRETE SIDEWALK                   | ⑮ 4" TOPSOIL, SEEDING CLASS 1A, AND MULCH METHOD 3                     |
| ⑦ EXISTING 10" WATER MAIN                                      | ⑯ HOT-MIX ASPHALT SURFACE REMOVAL, 2"                                  |
| ⑧ POLYMERIZED HOT-MIX ASPHALT SURFACE COURSE, MIX "F", N90, 2" | ⑰ POLYMERIZED LEVELING BINDER (MACHINE METHOD) IL-4.75, N50 (0 - 1.5") |
| ⑨ HOT-MIX ASPHALT BINDER COURSE, IL-19.0, N70, 11.5"           | ⑱ CONCRETE RETAINING WALL (STA. 237+10 TO 240+80)                      |
|  | ⑲ POROUS GRANULAR EMBANKMENT (BEHIND RETAINING WALL)                   |

PROFILE	SURVEYED	DATE
	PLOTTED	
	GRADES CHECKED	
	BY	
	NOTE BOOK NO.	
	FILE NAME	

REVISIONS	
NAME	DATE

ILLINOIS DEPARTMENT OF TRANSPORTATION

## TYPICAL CROSS SECTIONS

SCALE: NTS  
DATE: 02/07/08

DRAWN BY:  
CHECKED BY: WBR