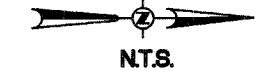




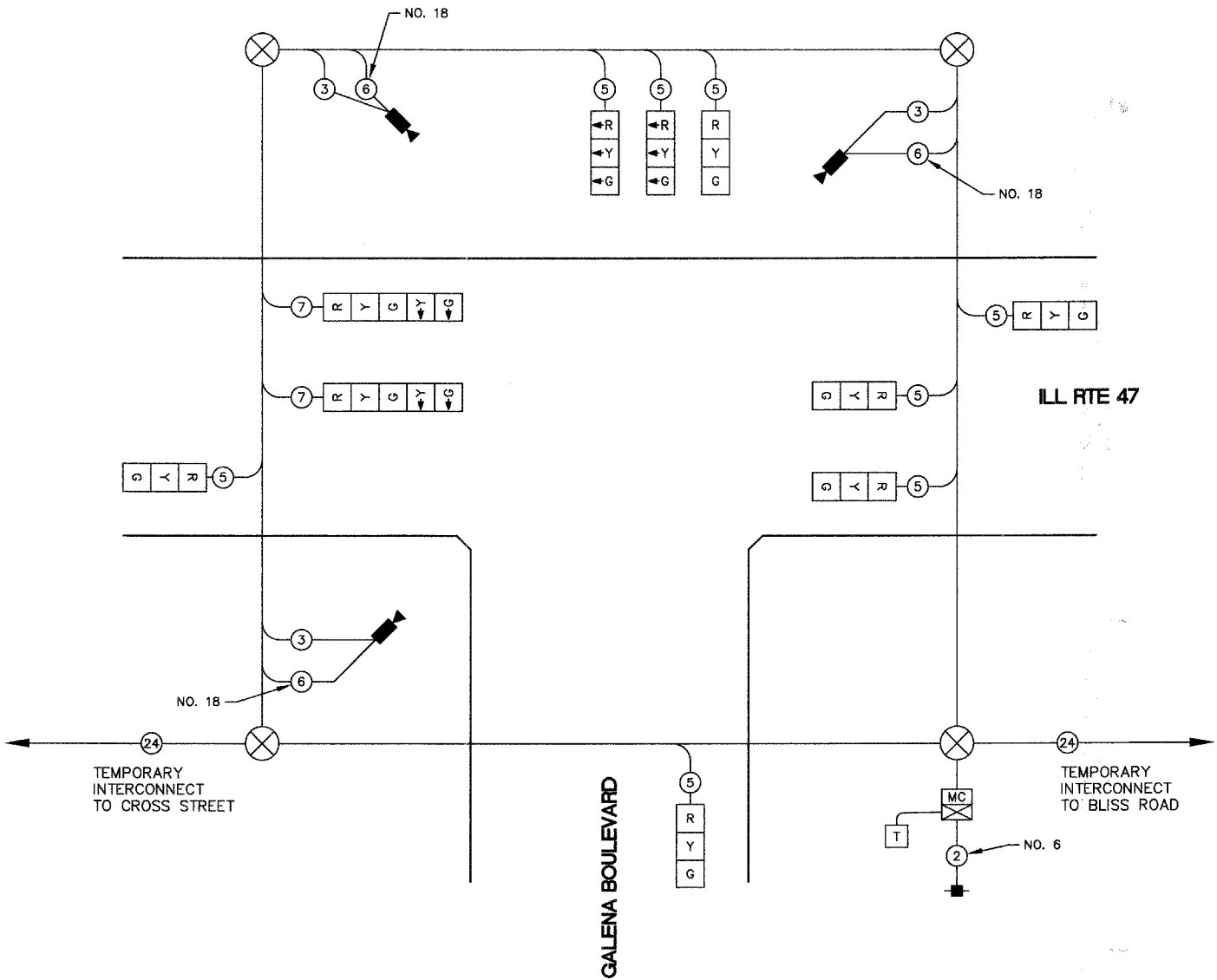
F.A. RTE.	SECTION	COUNTY	TOTAL SHEETS	SHEET NO.
N/A	D6-00017-00-PV	KANE	232	127
STA.		TO STA.		
FED. ROAD DIST. NO. _		ILLINOIS FED. AID PROJECT		

TEMPORARY CABLE PLAN
STAGE 4
N.T.S.

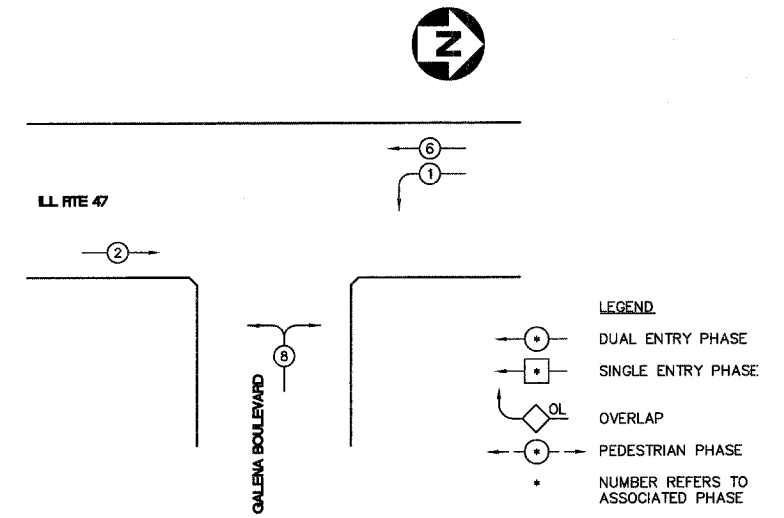


TEMPORARY CABLE DIAGRAM LEGEND

- R TEMPORARY TRAFFIC SIGNAL SECTION OR PEDESTRIAN SIGNAL SECTION 12" (300mm)
- MC TEMPORARY CONTROLLER CABINET
- MC TEMPORARY MASTER CONTROLLER
- TEMPORARY SERVICE INSTALLATION
- 5 INDICATES NUMBER OF CONDUCTORS IN CABLE. ALL CONDUCTORS TO BE NUMBER 14 AWG WIRE UNLESS OTHERWISE NOTED.
- 24 TEMPORARY INTERCONNECT CABLE NO 62.5/1250 MM 12F AND SM 12F FIBER OPTIC CABLE
- EMERGENCY VEHICLE DETECTOR
- CONFIRMATION BEACON
- VEHICLE DETECTOR, INDUCTION LOOP
- PEDESTRIAN PUSHBUTTON DETECTOR
- 12" 12" (300mm) PEDESTRIAN SIGNAL SECTION
- VIDEO VEHICLE SENSOR
- T TELEPHONE CONNECTION



TEMPORARY CONTROLLER SEQUENCE
STAGE 4



TEMPORARY PHASE DESIGNATION DIAGRAM

- LEGEND**
- DUAL ENTRY PHASE
 - SINGLE ENTRY PHASE
 - OL OVERLAP
 - PEDESTRIAN PHASE
 - . NUMBER REFERS TO ASSOCIATED PHASE

PLAN	DATE
SURVEYED	BY
PLOTTED	
ALIGNMENT CHECKED	
NOTE BOOK	
NO.	
CADD FILE NAME	

PROFILE	DATE
SURVEYED	BY
PLOTTED	
GRADES CHECKED	
STRUCTURE NOTATIONS OK'D	
NO.	

I.D.O.T. TRAFFIC SIGNAL INSTALLATION ELECTRICAL SERVICE REQUIREMENTS					TOTAL WATTAGE
TYPE	NO. LAMPS	INCAND.	LED	% OPERATIONS	
SIGNAL (RED)	10		10	0.50	50.00
(YELLOW)	10		19	0.25	47.50
(GREEN)	10		11	0.25	27.50
ARROW	4		7	1.00	4.00
PED. SIGNAL					
CONTROLLER	1		100	1.00	100.00
ILLUM. SIGN				0.05	
FLASHER				0.50	
TOTAL =					225.00

ENERGY COST - BILLED TO: VILLAGE OF SUGAR GROVE
(ADDRESS) 10 MUNICIPAL DRIVE
SUGAR GROVE, IL 60554

ENERGY SUPPLY - CONTACT: MARK SCHERIBEL
PHONE: 630-862-5160
COMPANY: COMED

REVISIONS	
NAME	DATE

ILLINOIS DEPARTMENT OF TRANSPORTATION

ILL RTE 47 AND GALENA BOULEVARD TEMPORARY SIGNAL CABLE PLAN, PHASE DESIGNATION DIAGRAM (STAGE 4)

SCALE: NTS
DATE: 05/16/08

DRAWN BY: KKP
CHECKED BY: TVW