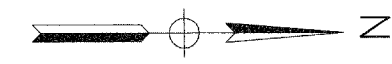
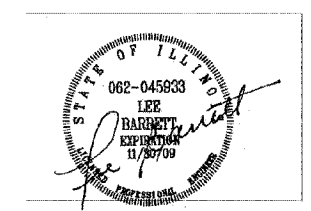
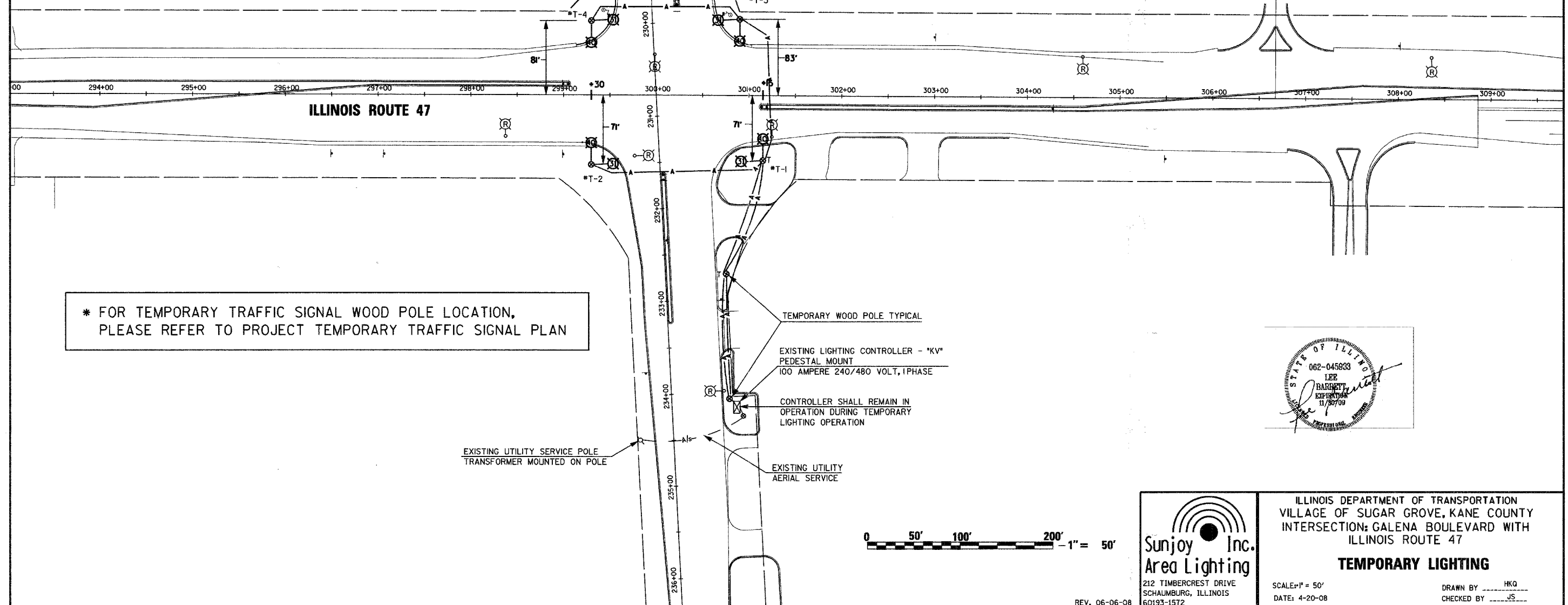
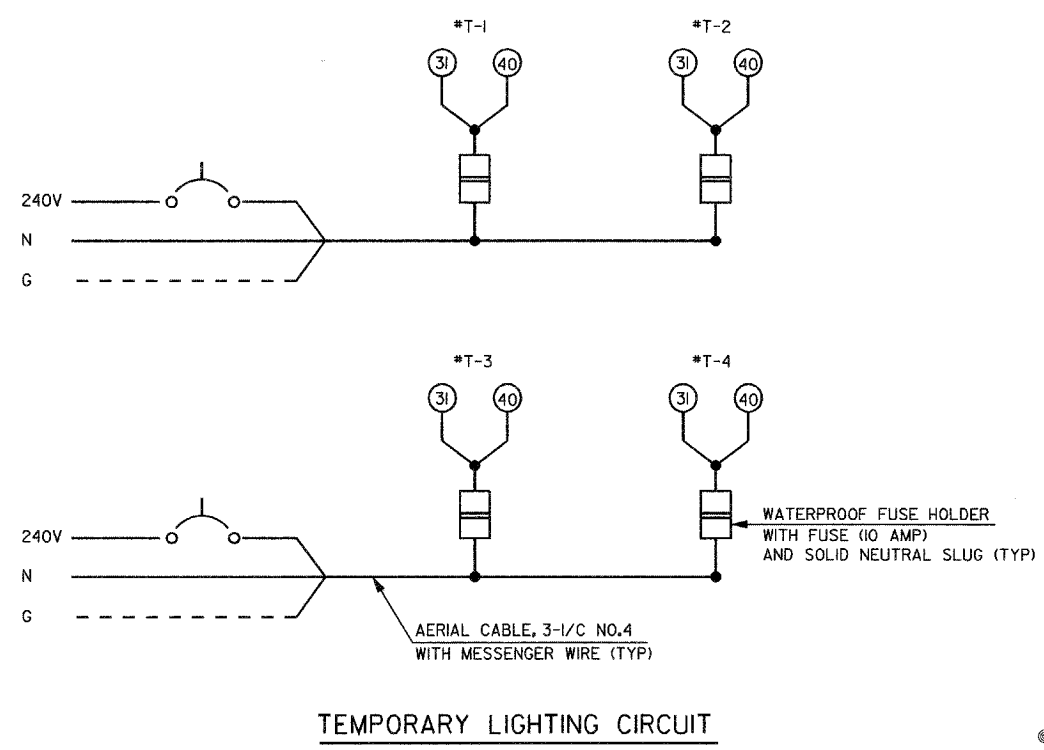


F.A. RTE.	SECTION	COUNTY	TOTAL SHEETS	SHEET NO.
06-00017-00-PV		KANE	232	142



**LEGEND**

- ⊗ TEMPORARY TRAFFIC SIGNAL WOOD POLE
- ⊖ EXISTING LIGHTING UNIT TO BE REMOVED
- ⊖ R EXISTING LIGHTING CONTROLLER TO BE REMOVED
- ⊖ 31 WOOD POLE, 40 FT MOUNTING HEIGHT, 15 FT MAST ARM LUMINAIRE WITH PHOTOCELL, 310 WATT HPS M.C. III 240 VOLT (LINE TO NEUTRAL) BALLAST CWA TYPE
- ⊖ 40 WOOD POLE, 40 FT MOUNTING HEIGHT, 15 FT MAST ARM LUMINAIRE WITH PHOTOCELL, 400 WATT HPS M.C. III 240 VOLT (LINE TO NEUTRAL) BALLAST CWA TYPE
- A — AERIAL CABLE, 3- 1/2 NO. 4 WITH MESSENGER WIRE
- \*T-3 TEMPORARY LIGHT POLE NUMBER (TYP)



**Sunjoy Inc.**  
Area Lighting  
212 TIMBERCREST DRIVE  
SCHALMBURG, ILLINOIS  
60193-1572

ILLINOIS DEPARTMENT OF TRANSPORTATION  
VILLAGE OF SUGAR GROVE, KANE COUNTY  
INTERSECTION: GALENA BOULEVARD WITH ILLINOIS ROUTE 47

**TEMPORARY LIGHTING**

SCALE: 1" = 50'  
DATE: 4-20-08

DRAWN BY: HKQ  
CHECKED BY: JS