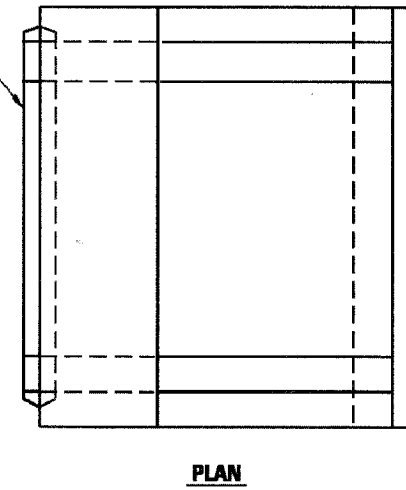
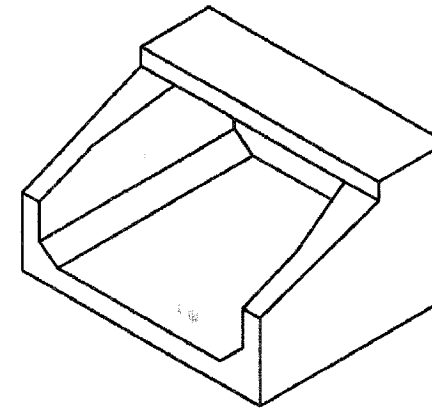
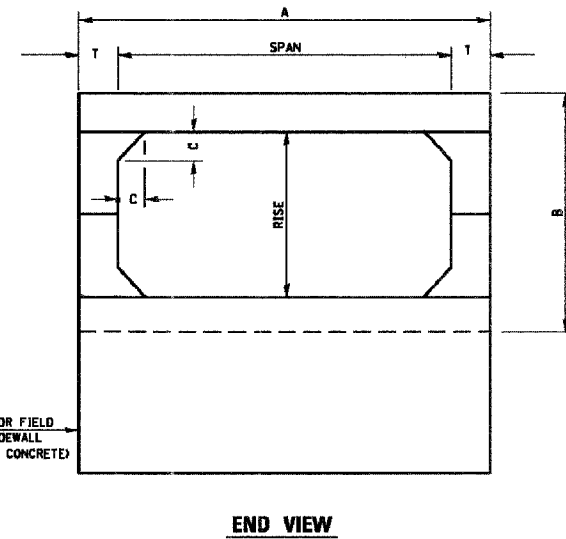
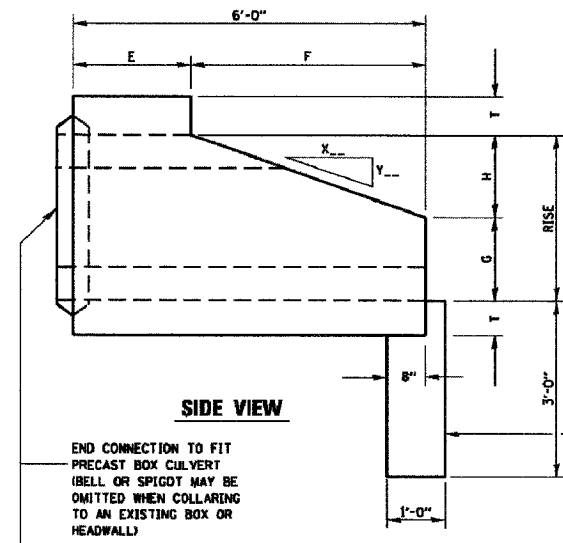


F.A. RTE.	SECTION	COUNTY	TOTAL SHEETS	SHEET NO.
N/A	D6-00017-00-PV	KANE	232	159
STA.		TO STA.		
FED. ROAD DIST. NO. _		ILLINOIS	FED. AID PROJECT	

F.A. RTE.	SECTION	COUNTY	TOTAL SHEETS	SHEET NO.
N/A	D6-00017-00-PV	KANE	232	159
STA.		TO STA.		
FED. ROAD DIST. NO. _		ILLINOIS	FED. AID PROJECT	

PLAN	SURVEYED	DATE
	PLOTTED	
	NOTE BOOK	
	NO.	

PROFILE	SURVEYED	DATE
	PLOTTED	
	NOTE BOOK	
	NO.	



SPAN X RISE	T (INCHES)	A (FT.-IN.)	B (FT.-IN.)	C (INCHES)	E (FT.-IN.)	F (FT.-IN.)	G (FT.-IN.)	H (FT.-IN.)	SLOPE
2' X 2'	4	2-8	2-8	4	3-0	3-0	1-0	1-0	3:1
3' X 2'	4	3-8	2-8	4	3-0	3-0	1-0	1-0	3:1
3' X 3'	4	3-8	3-8	4	2-0	4-0	1-8	1-4	3:1
4' X 2'	5	4-10	2-10	5	3-0	3-0	1-0	1-0	3:1
4' X 3'	5	4-10	3-10	5	2-0	4-0	1-8	1-4	3:1
4' X 4'	5	4-10	4-10	5	2-0	4-0	2-0	2-0	2:1
5' X 2'	6	6-0	3-0	6	3-0	3-0	1-0	1-0	3:1
5' X 3'	6	6-0	4-0	6	2-0	4-0	1-8	1-4	3:1
5' X 4'	6	6-0	5-0	6	2-0	4-0	2-0	2-0	2:1
5' X 5'	6	6-0	6-0	6	4-0	3-0	2-0	2-0	2:1
6' X 2'	7	7-2	3-2	7	3-0	3-0	1-0	1-0	3:1
6' X 3'	7	7-2	4-2	7	2-0	4-0	1-8	1-4	3:1
6' X 4'	7	7-2	5-2	7	2-0	4-0	2-0	2-0	2:1
6' X 5'	7	7-2	6-2	7	4-0	3-0	2-0	2-0	2:1
7' X 3'	8	8-4	4-4	8	4-0	1-8	1-4	3:1	
7' X 4'	8	8-4	5-4	8	4-0	2-0	2-0	2:1	
7' X 5'	8	8-4	6-4	8	4-0	3-0	2-0	2:1	
8' X 3'	8	9-4	4-4	8	4-0	1-8	1-4	3:1	
8' X 4'	8	9-4	5-4	8	4-0	2-0	2-0	2:1	
8' X 5'	8	9-4	6-4	8	4-0	3-0	2-0	2:1	
9' X 3'	9	10-6	4-6	9	4-0	1-8	1-4	3:1	
9' X 4'	9	10-6	5-6	9	4-0	2-0	2-0	2:1	
9' X 5'	9	10-6	6-6	9	4-0	3-0	2-0	2:1	
10' X 4'	10	11-8	5-9	10	4-0	2-0	2-0	2:1	
10' X 5'	10	11-8	6-8	10	4-0	3-0	2-0	2:1	

540-16

REVISIONS	NAME	DATE

ILLINOIS DEPARTMENT OF TRANSPORTATION
PRECAST CONCRETE BOX CULVERT END SECTION
 SCALE: VERT. _____ HORIZ. _____
 DATE _____ DRAWN BY _____ CHECKED BY _____

REVISIONS	NAME	DATE

ILLINOIS DEPARTMENT OF TRANSPORTATION
TYPICAL DETAILS
 SCALE: NTS
 DATE: 02/07/08
 DRAWN BY: KKP
 CHECKED BY: WBR