

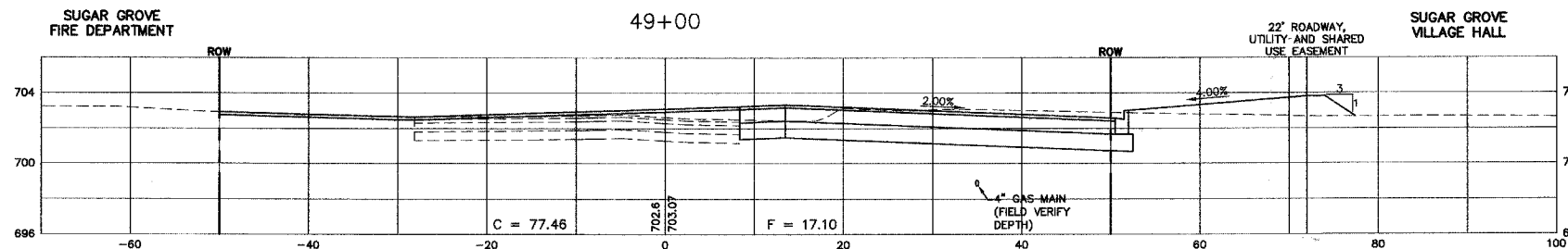
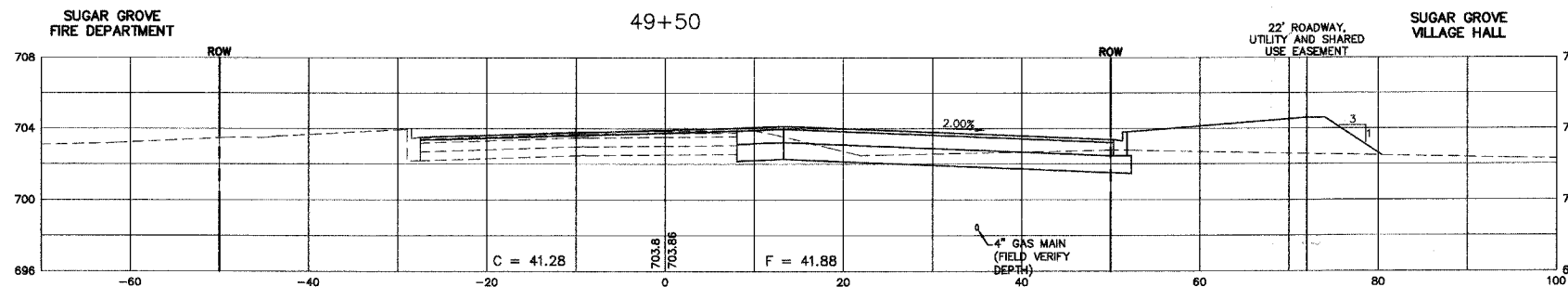
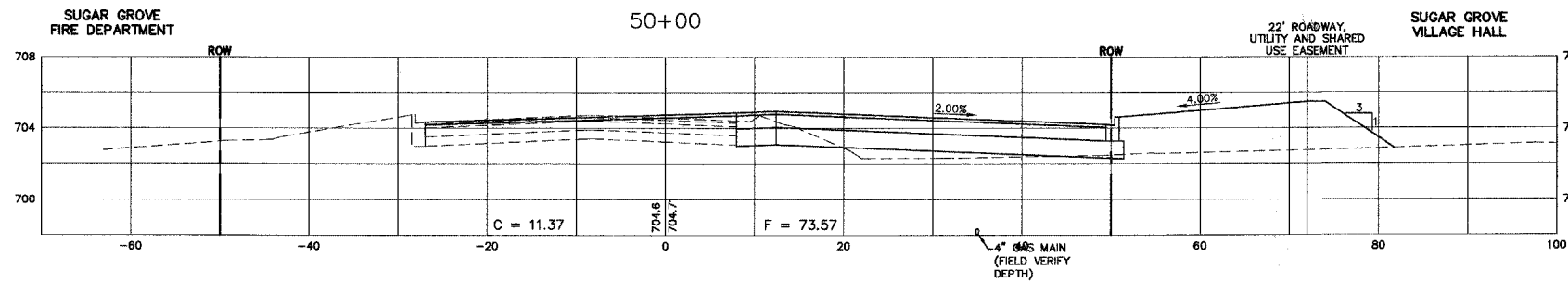
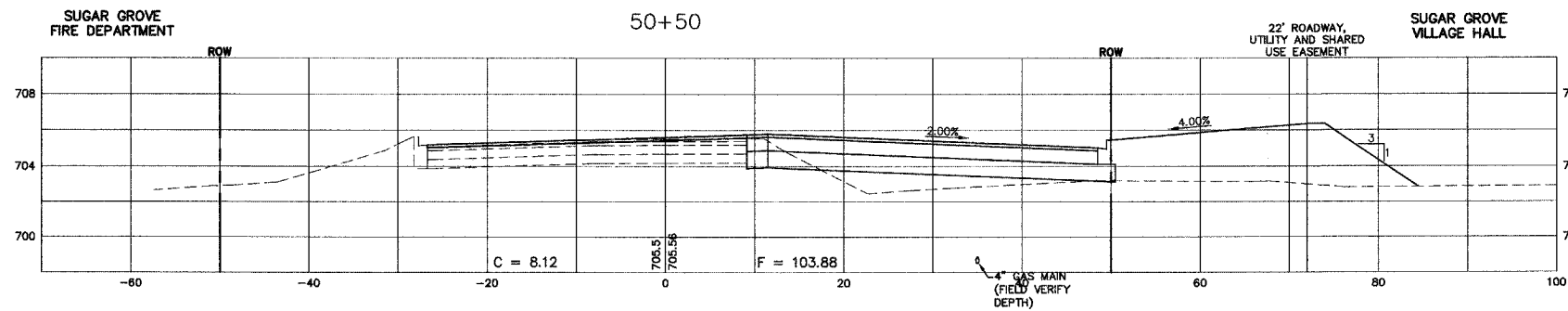


F.A. RTE.	SECTION	COUNTY	TOTAL SHEETS	SHEET NO.
N/A06-00017-00-PV		KANE	232	176
STA.	TO STA.			
FED. ROAD DIST. NO. - ILLINOIS	FED. AID PROJECT			

PLAN	SURVEYED	DATE
NOTE BOOK NO.	PLOTTED	
	FIELD CHECKED	
	RT. OF WAY CHECKED	
	CAD FILE NAME	

PROFILE	SURVEYED	DATE
NOTE BOOK NO.	PLOTTED	
	FIELD CHECKED	
	BEAM NOTED	
	STRUCTURE NOTATIONS CHECKED	

Plotted: May 27, 2008 @ 4:25 PM By: Terri Seidler-Johnson - Tab: 176 SECTION (22x34)



SCALE:
 HORZ. 1" = 10'
 VERT. 1" = 5'

REVISIONS	
NAME	DATE

ILLINOIS DEPARTMENT OF TRANSPORTATION

MUNICIPAL DRIVE
 CROSS SECTIONS

SCALE:
 DATE: 02/07/08

DRAWN BY: KKP
 CHECKED BY: WBR

Path: H:\SOSKPROG\560848\DWG\560732.DWG FINAL ENG\CONTRACT B\1P-560848-75EC