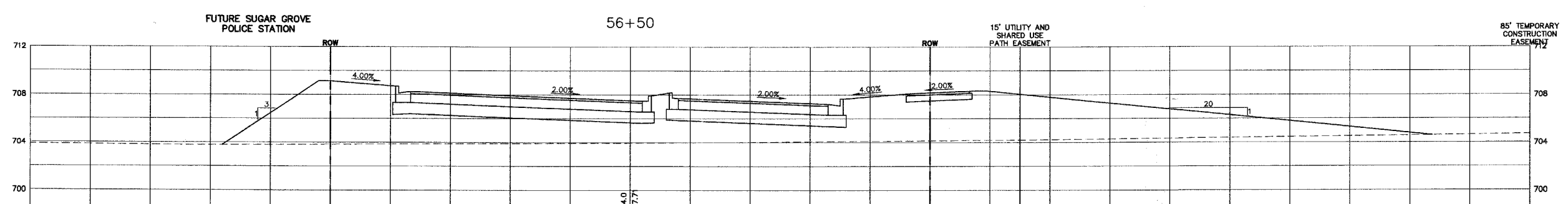
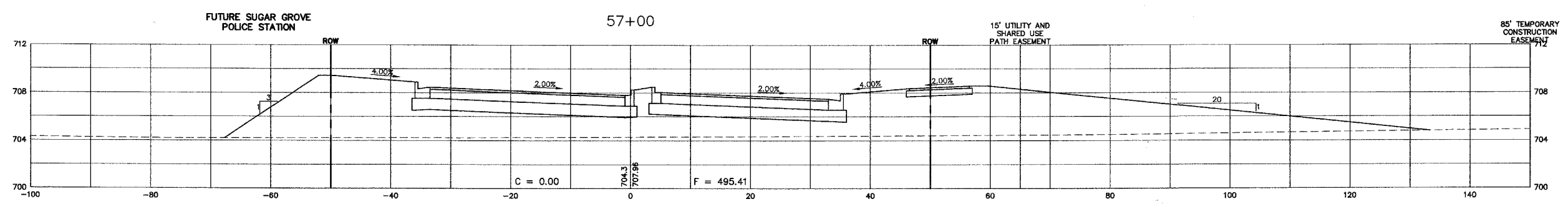
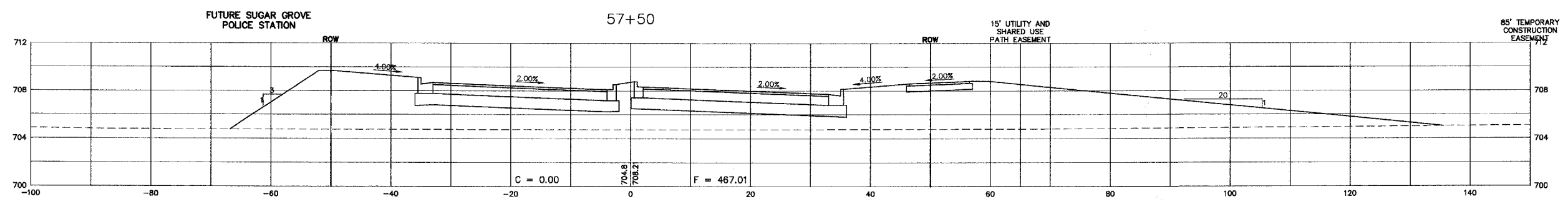
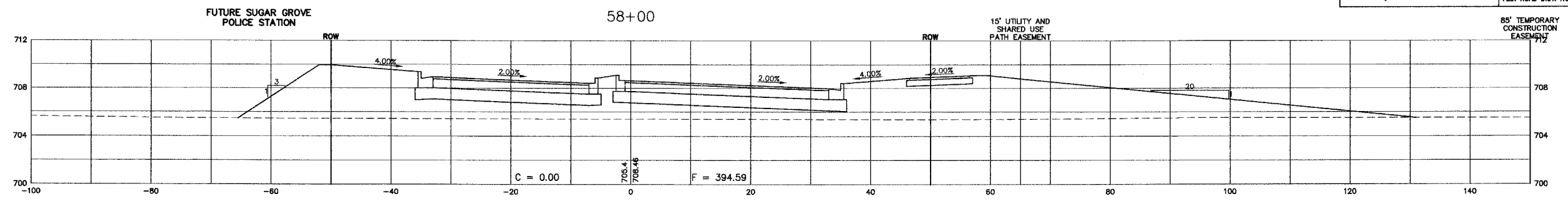




F.A. RTE.	SECTION	COUNTY	TOTAL SHEETS	SHEET NO.
N/A06-00017-00-PV		KANE	232	180
STA.	TO STA.			
FED. ROAD DIST. NO.	ILLINOIS	FED. AID PROJECT		

PLAN	SURVEYED	DATE
	PLOTTED	
	REVISIONS	
	NOTE BOOK	
	NO.	
	BY	
	DATE	

PROFILE	SURVEYED	DATE
	PLOTTED	
	REVISIONS	
	NOTE BOOK	
	NO.	
	BY	
	DATE	



SCALE:
 HORZ. 1" = 10'
 VERT. 1" = 5'

THE PROPOSED ELEVATIONS SHOWN AT THE CENTERLINE EQUALS THE PGL AT 9' LT./RT.

REVISIONS	
NAME	DATE

ILLINOIS DEPARTMENT OF TRANSPORTATION

MUNICIPAL DRIVE CROSS SECTIONS

SCALE:
 DATE: 02/07/08

DRAWN BY: KKP
 CHECKED BY: WBR