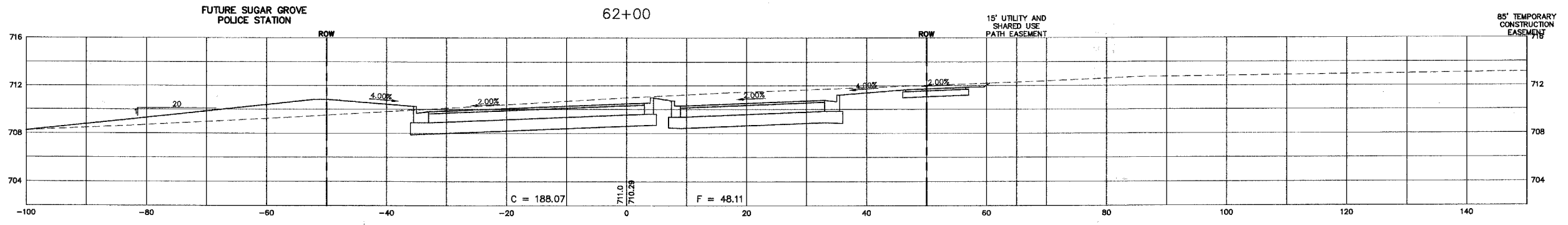
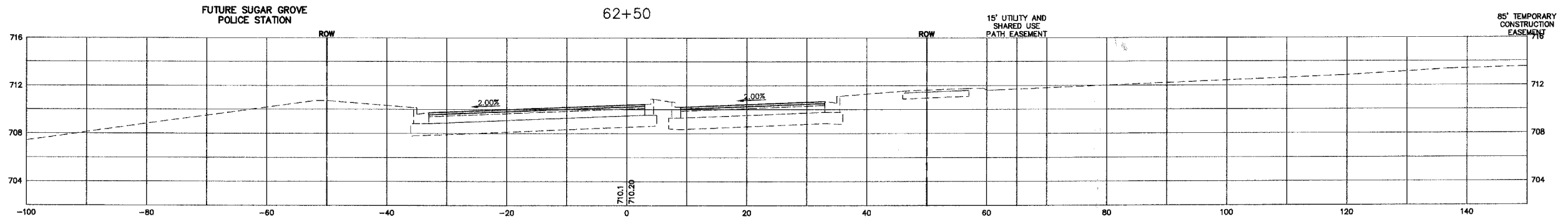




F.A. RTE.	SECTION	COUNTY	TOTAL SHEETS	SHEET NO.
N/A06-00017-00-PV		KANE	232	183
STA.	TO STA.			
FED. ROAD DIST. NO. - ILLINOIS	FED. AID PROJECT			

PLAN	SURVEYED	DATE
NOTE BOOK NO.	PLOTTED	BY
	CHECKED	
	BY	
	DATE	



PROFILE	SURVEYED	DATE
NOTE BOOK NO.	PLOTTED	BY
	CHECKED	
	BY	
	DATE	

SCALE:
 HORZ. 1" = 10'
 VERT. 1" = 5'

THE PROPOSED ELEVATIONS SHOWN AT THE CENTERLINE EQUALS THE PGL AT 9' LT./RT.

REVISIONS	
NAME	DATE

ILLINOIS DEPARTMENT OF TRANSPORTATION

MUNICIPAL DRIVE CROSS SECTIONS

SCALE: DATE: 02/07/08

DRAWN BY: KKP
 CHECKED BY: WBR