

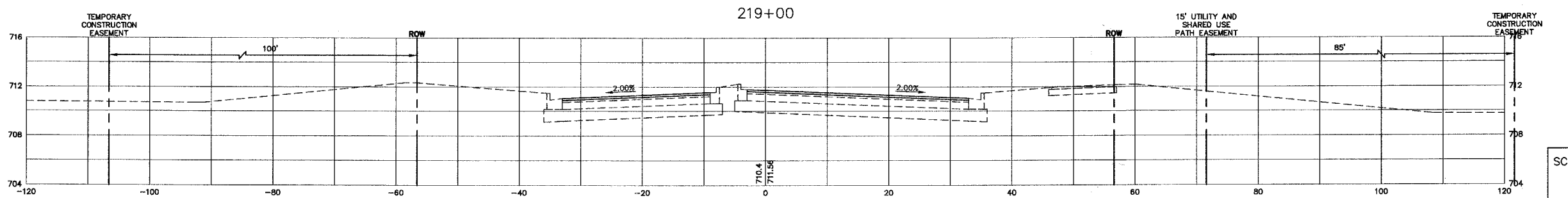
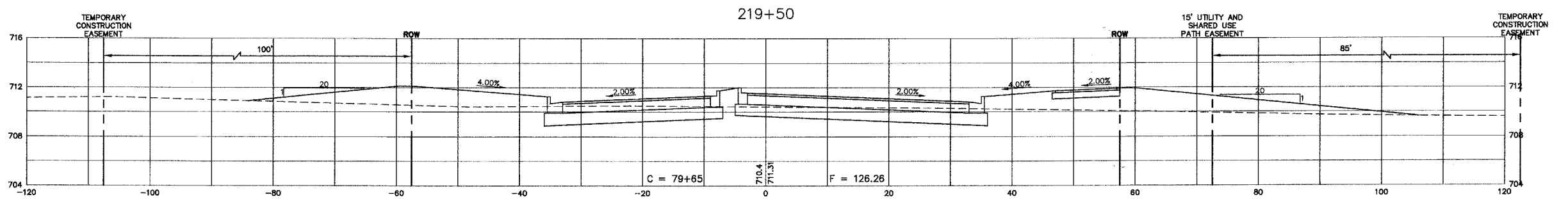
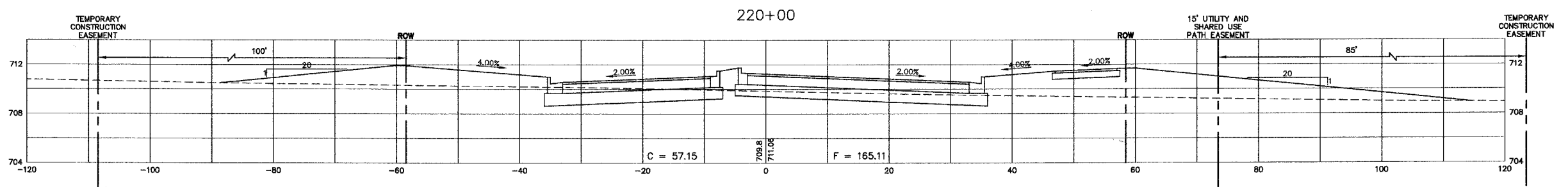
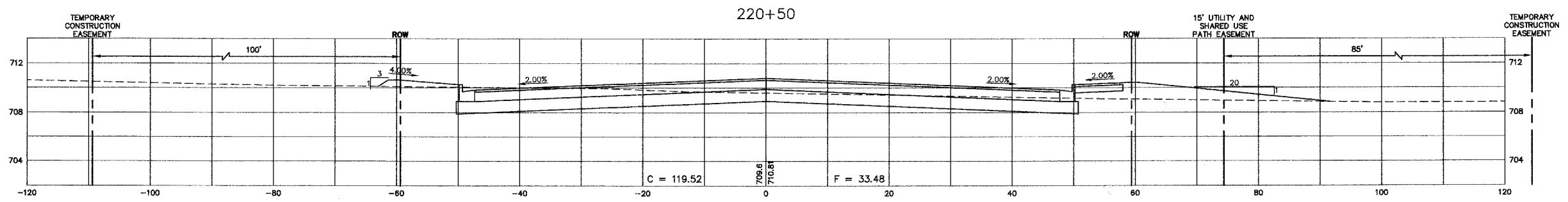
F.A. RTE.	SECTION	COUNTY	TOTAL SHEETS	SHEET NO.
N/A	06-00017-00-PV	KANE	232	184
STA.		TO STA.		
FED. ROAD DIST. NO. ILLINOIS		FED. AID PROJECT		

PLAN

SURVEYED	BY	DATE
PLOTTED		
REVISIONS CHECKED		
NOTE BOOK NO.		
DATE OF WAY CHECKED		
CAD FILE NAME		

PROFILE

SURVEYED	BY	DATE
PLOTTED		
REVISIONS CHECKED		
NOTE BOOK NO.		
DATE OF WAY CHECKED		
STRUCTURE NOTATIONS OK'D		



SCALE:
 HORZ. 1" = 10'
 VERT. 1" = 5'

THE PROPOSED ELEVATIONS SHOWN AT THE CENTERLINE EQUALS THE PGL AT 9' LT./RT.

REVISIONS	
NAME	DATE

ILLINOIS DEPARTMENT OF TRANSPORTATION

GALENA BOULEVARD CROSS SECTIONS

SCALE: DATE: 02/07/08

DRAWN BY: KKP
 CHECKED BY: WBR