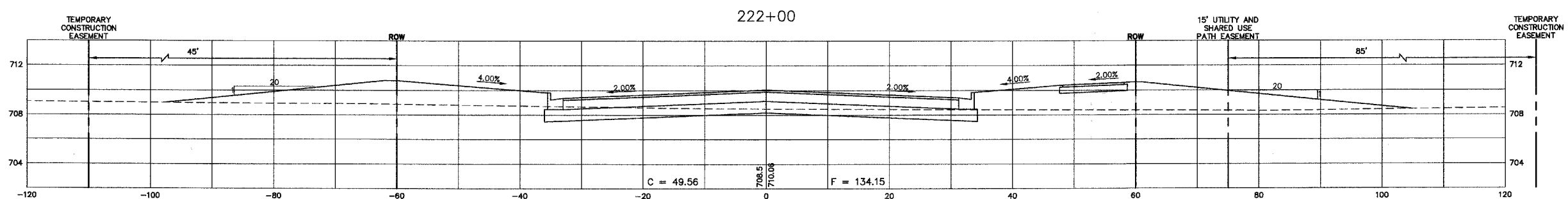
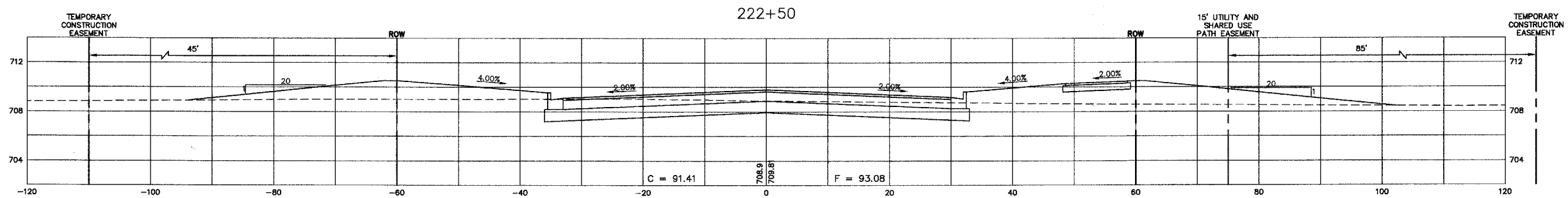
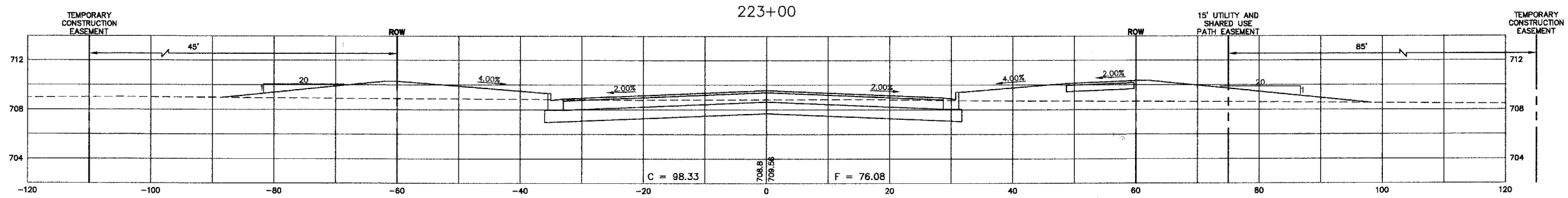




F.A. RTE.	SECTION	COUNTY	TOTAL SHEETS	SHEET NO.
N/A	06-00017-00-PV	KANE	232	186
STA.	TO STA.			
FED. ROAD DIST. NO. ILLINOIS		FED. AID PROJECT		

PLAN	DATE
BY	
SURVEYED	
PLOTTED	
CHECKED	
BY	
NOTE BOOK NO.	
CADD FILE NAME	



PROFILE	DATE
BY	
SURVEYED	
PLOTTED	
CHECKED	
BY	
NOTE BOOK NO.	
STRUCTURE NOTATION OR PKD	

SCALE:
 HORZ. 1" = 10'
 VERT. 1" = 5'

THE PROPOSED ELEVATIONS SHOWN AT THE CENTERLINE EQUALS THE PGL AT 9' LT./RT.

REVISIONS	
NAME	DATE

ILLINOIS DEPARTMENT OF TRANSPORTATION

GALENA BOULEVARD
 CROSS SECTIONS

SCALE:
 DATE: 02/07/08

DRAWN BY: KKP
 CHECKED BY: WBR