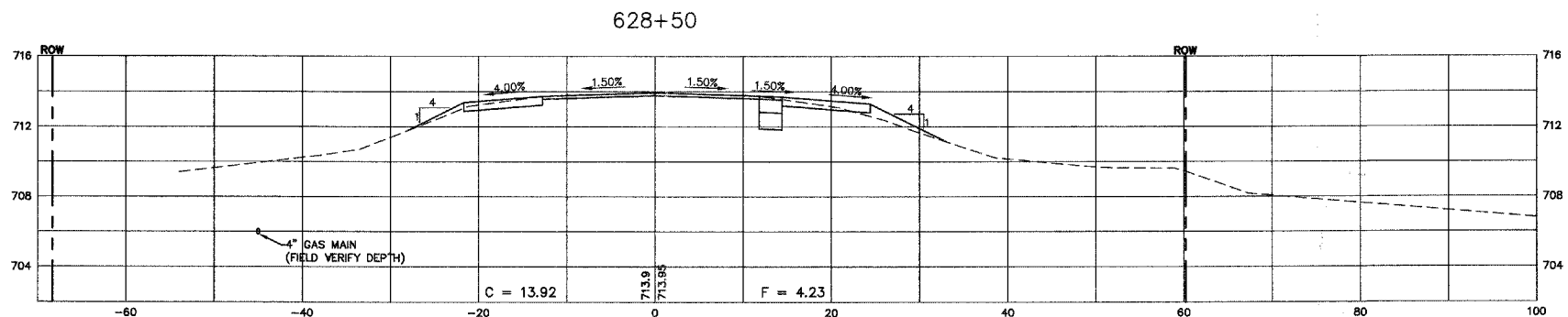
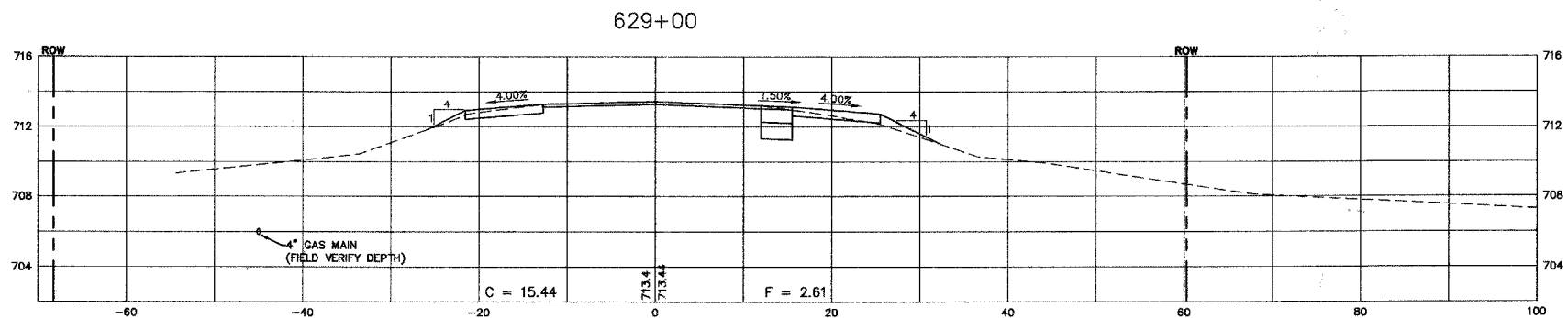
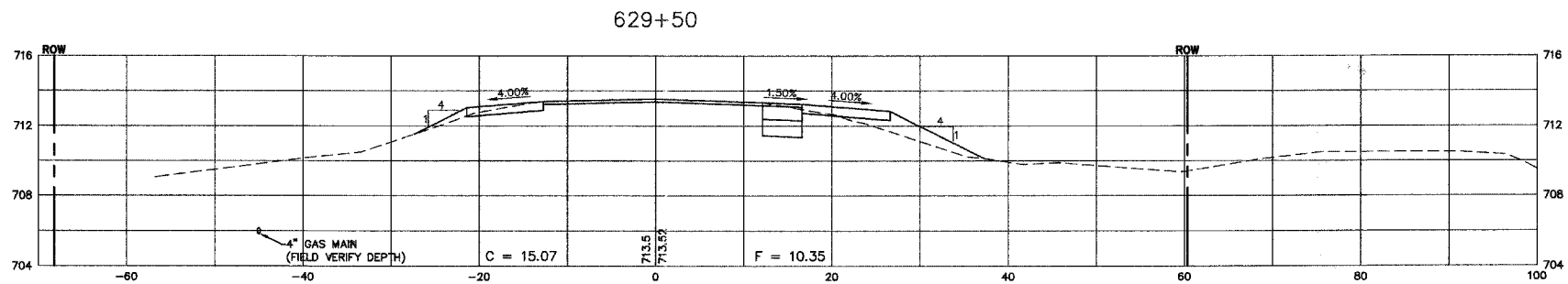
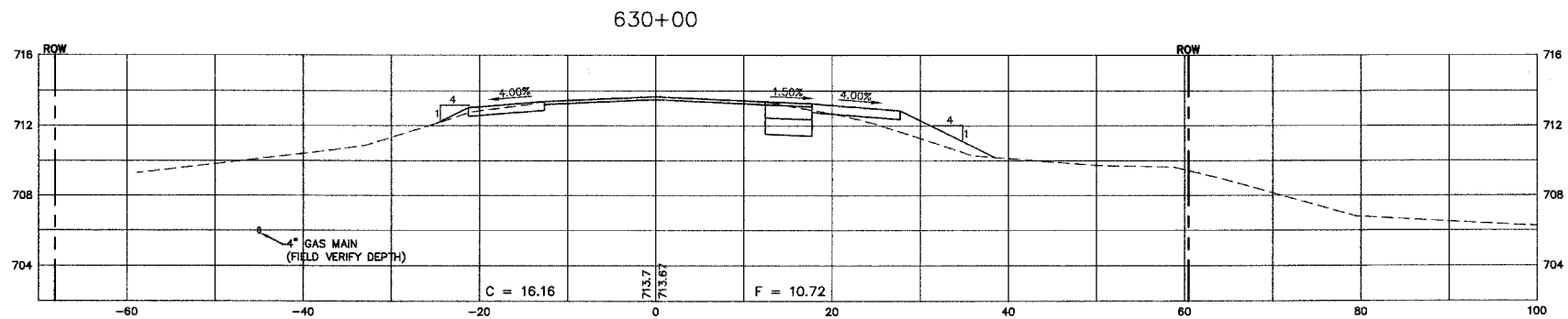




F.A. RTE.	SECTION	COUNTY	TOTAL SHEETS	SHEET NO.
N/A06-00017-00-PY		KANE	232	206
STA.		TO STA.		
FED. ROAD DIST. NO.		ILLINOIS	FED. AID PROJECT	

PLAN	REVISIONS	DATE
NO.	NO.	
NOTE BOOK	ALIGNED CHECKED	
	PLOTTED	
	CADED FILE NAME	

PROFILE	REVISIONS	DATE
NO.	NO.	
NOTE BOOK	GRADES CHECKED	
	STRUCTURE NOTATIONS CHKD	



SCALE:
 HORZ. 1" = 10'
 VERT. 1" = 5'

REVISIONS	
NAME	DATE

ILLINOIS DEPARTMENT OF TRANSPORTATION

U.S. ROUTE 30
 CROSS SECTIONS

SCALE: DATE: 02/07/08
 DRAWN BY: KKP
 CHECKED BY: WBR