

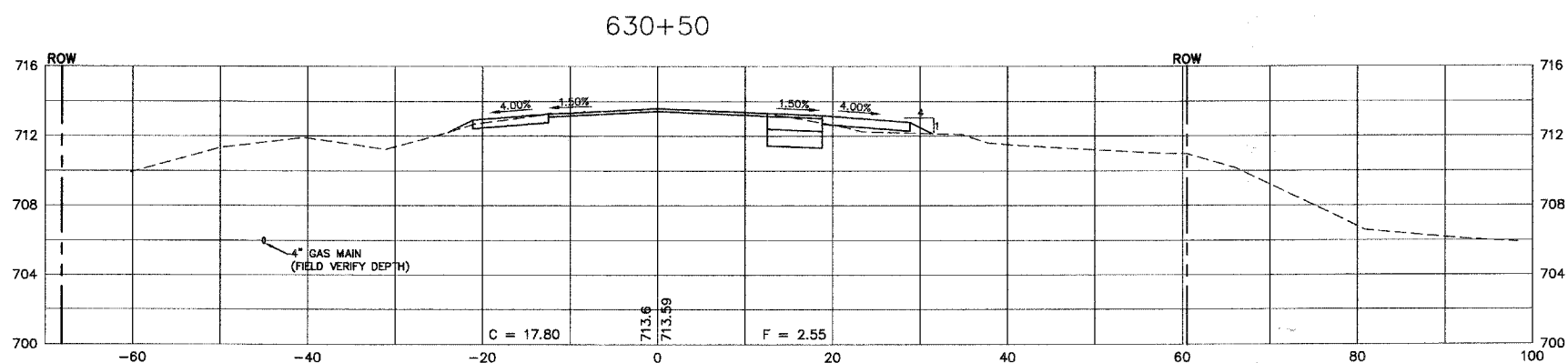
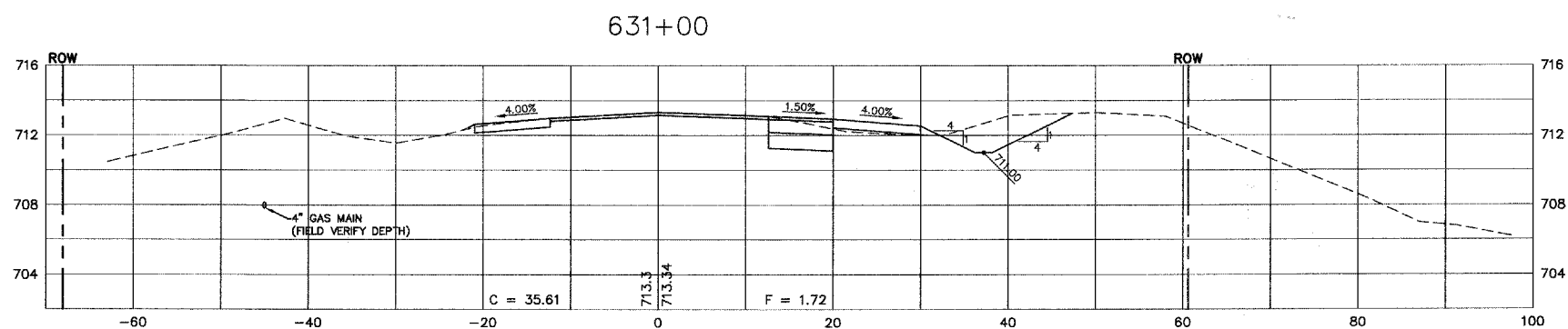
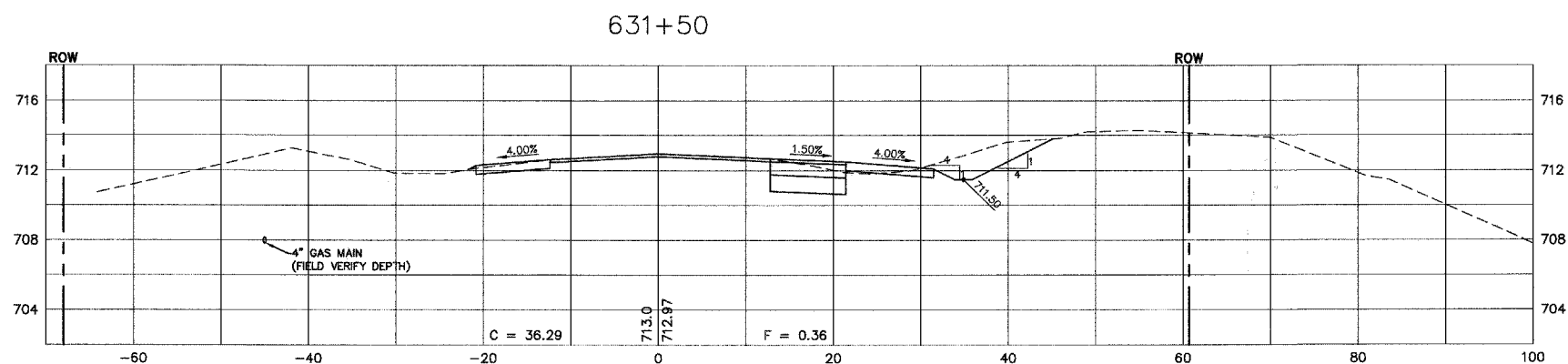


F.A. RTE.	SECTION	COUNTY	TOTAL SHEETS	SHEET NO.
N/AQ6-00017-00-PY		KANE	232	207
STA.		TO STA.		
FED. ROAD DIST. NO.	ILLINOIS	FED. AID PROJECT		

PLAN	REVISIONS	DATE
NO.	BY	
	PLANNED	
	ALIGNED	
	CHECKED	
	CADD FILE NAME	

PROFILE	REVISIONS	DATE
NO.	BY	
	GRADES	
	CHECKED	
	STRUCTURE	
	NOTATION	

Plotted: May 27, 2008 @ 4:57 PM By: Terril Seidler-Johnson - Tab: 207 SECTION (22,634)



SCALE:  
 HORZ. 1" = 10'  
 VERT. 1" = 5'

REVISIONS		ILLINOIS DEPARTMENT OF TRANSPORTATION	
NAME	DATE		
		U.S. ROUTE 30 CROSS SECTIONS	
SCALE:		DRAWN BY: KKP	
DATE: 02/07/08		CHECKED BY: WBR	

P:\1111\20070704\63023\63023-00017-00-PY\207 SECTION (22,634).DWG