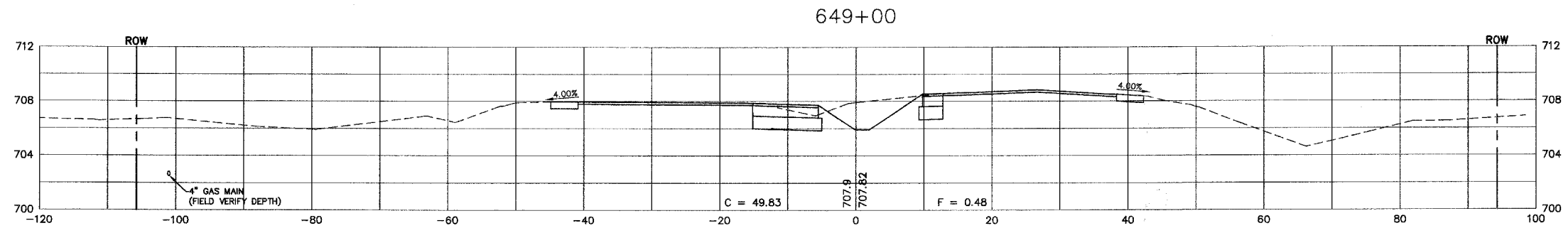
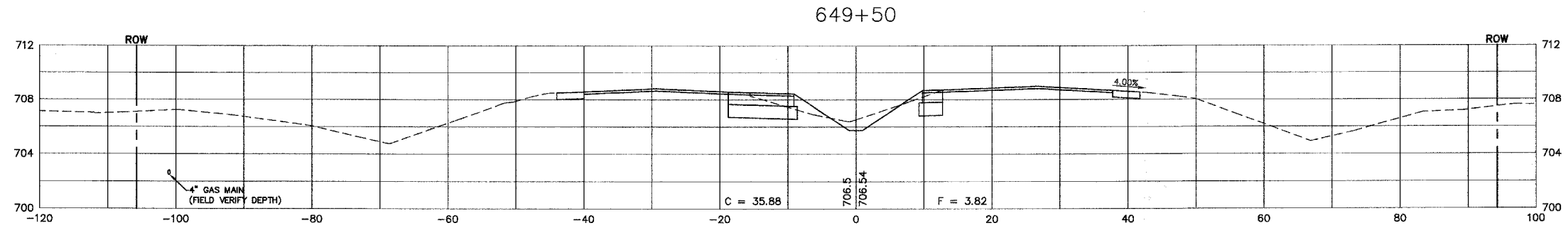
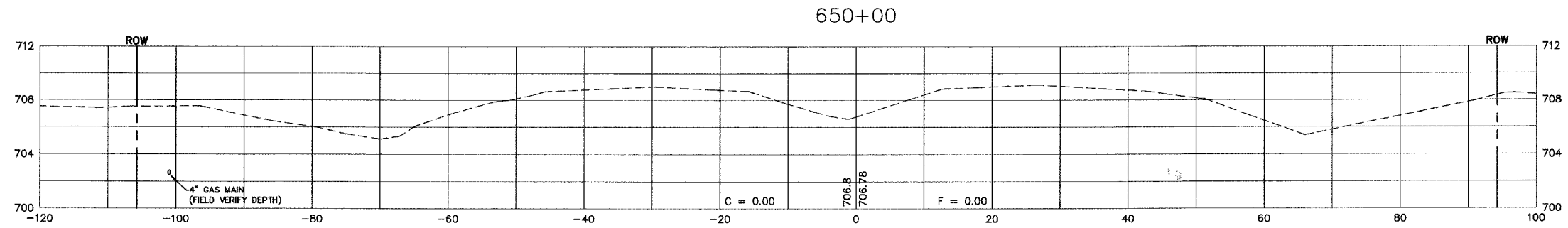




F.A. RTE.	SECTION	COUNTY	TOTAL SHEETS	SHEET NO.
N/A06-00017-00-PV		KANE	232	218
STA.		TO STA.		
FED. ROAD DIST. NO. ILLINOIS		FED. AID PROJECT		

PLAN	SURVEYED	DATE
NOTE BOOK	ALIGNED	
NO.	FT. OF WAY CHECKED	
	CADD FILE NAME	

PROFILE	SURVEYED	DATE
NOTE BOOK	GRADES CHECKED	
NO.	STRUCTURE NOTATIONS CHECKED	



SCALE:  
 HORZ. 1" = 10'  
 VERT. 1" = 5'

REVISIONS	
NAME	DATE

ILLINOIS DEPARTMENT OF TRANSPORTATION

**U.S. ROUTE 30  
 CROSS SECTIONS**

SCALE:  
 DATE: 02/07/08

DRAWN BY: KKP  
 CHECKED BY: WBR