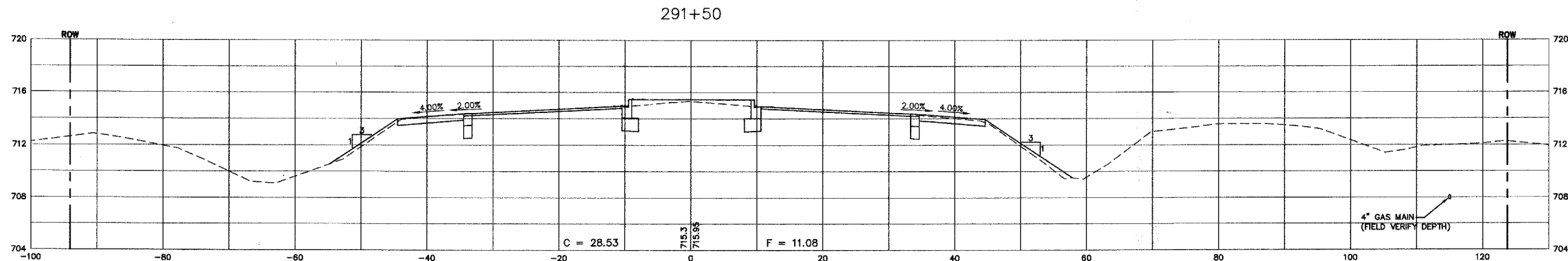
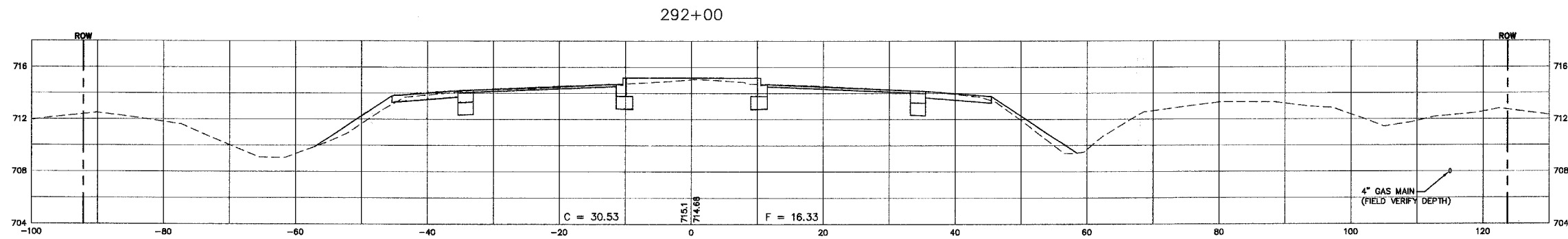
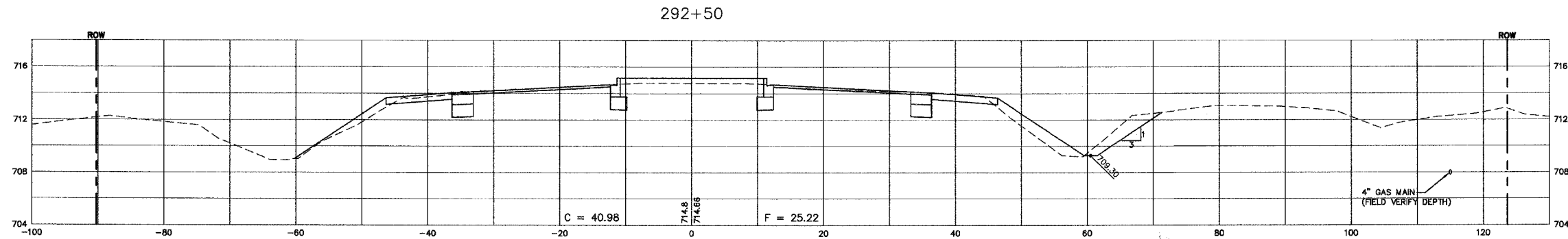




F.A. RTE.	SECTION	COUNTY	TOTAL SHEETS	SHEET NO.
N/A	06-00017-00-PV	KANE	232	220
STA.		TO STA.		
FED. ROAD DIST. NO. _		ILLINOIS	FED. AID PROJECT	

PLAN	SURVEYED	DATE
NOTE BOOK NO.	PLOTTED	BY
	ALIGNMENT CHECKED	
	GRADES CHECKED	
	STRUCTURE NOTATIONS CHECKED	
	CADD FILE NAME	

PROFILE	SURVEYED	DATE
NOTE BOOK NO.	PLOTTED	BY
	ALIGNMENT CHECKED	
	GRADES CHECKED	
	STRUCTURE NOTATIONS CHECKED	



REVISIONS	
NAME	DATE

ILLINOIS DEPARTMENT OF TRANSPORTATION

**ILLINOIS ROUTE 47
CROSS SECTIONS**

SCALE: _____

DATE: 02/07/08

DRAWN BY: KKP

CHECKED BY: WBR