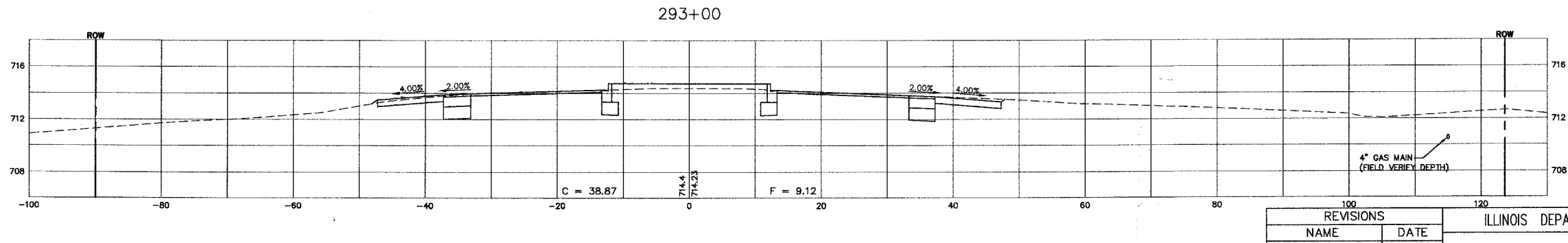
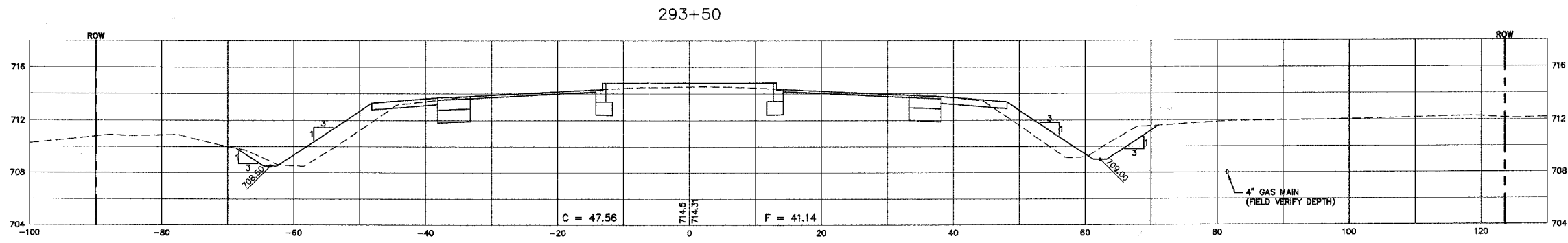
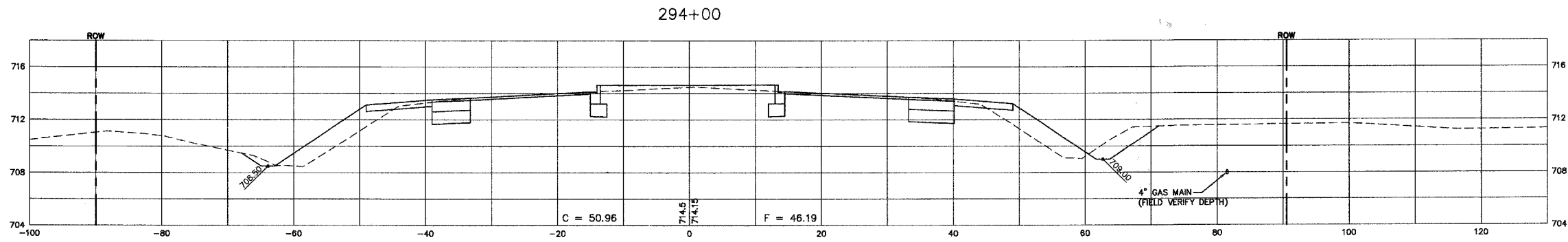
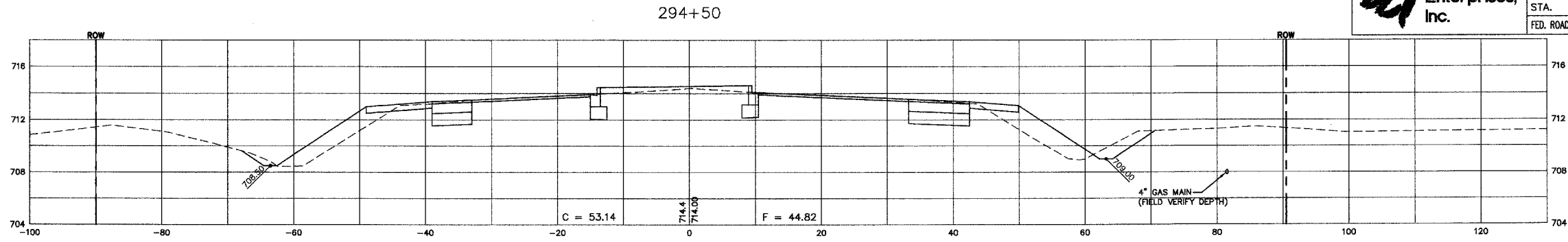




F.A. RTE.	SECTION	COUNTY	TOTAL SHEETS	SHEET NO.
N/A	D6-00017-00-PV	KANE	232	221
STA.		TO STA.		
FED. ROAD DIST. NO. ILLINOIS		FED. AID PROJECT		

PLAN	SURVEYED	BY	DATE
NO.	PLANNED		
	NOTED		
	REVISIONS		
	STRUCTURE		
	NOTATION		
	CHKD		

PROFILE	SURVEYED	BY	DATE
NO.	PLANNED		
	NOTED		
	REVISIONS		
	STRUCTURE		
	NOTATION		
	CHKD		



SCALE:
 HORZ. 1" = 10'
 VERT. 1" = 5'

REVISIONS	
NAME	DATE

ILLINOIS DEPARTMENT OF TRANSPORTATION

ILLINOIS ROUTE 47
 CROSS SECTIONS

SCALE:
 DATE: 02/07/08
 DRAWN BY: KKP
 CHECKED BY: WBR