

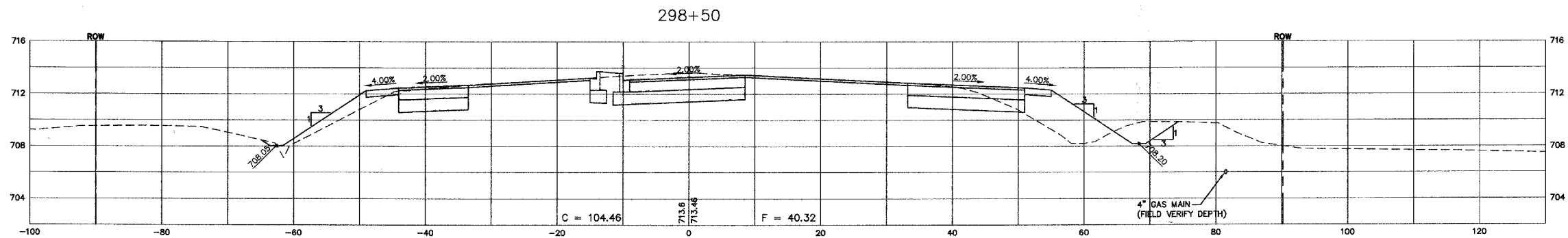
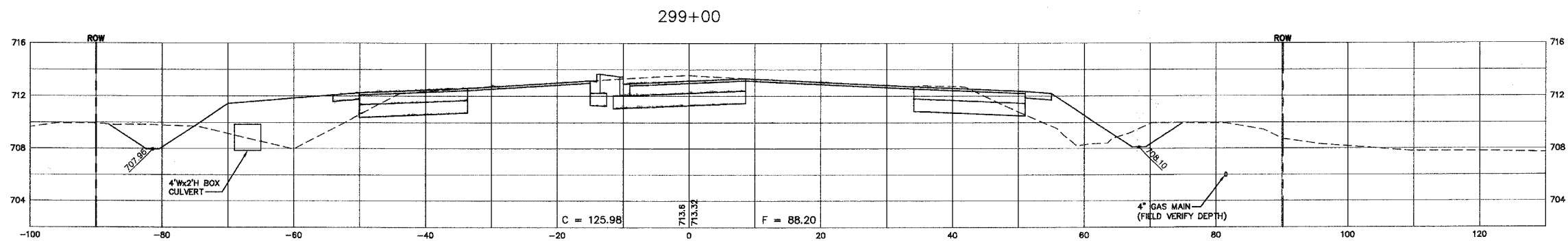
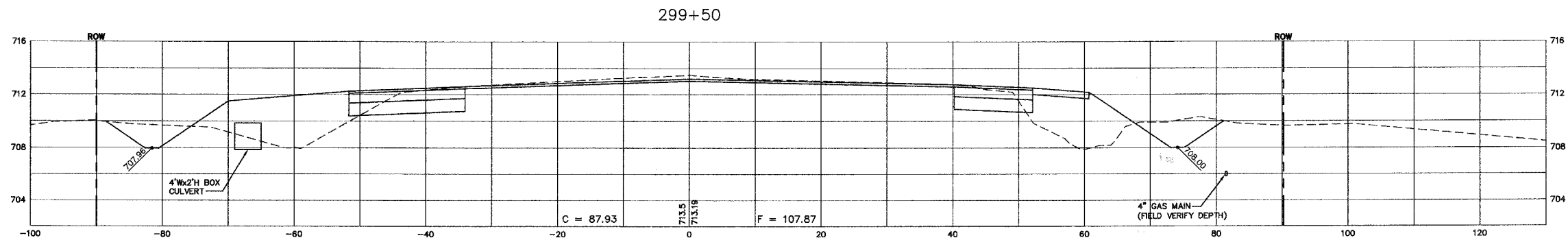


F.A. RTE.	SECTION	COUNTY	TOTAL SHEETS	SHEET NO.
N/A	D6-00017-00-PV	KANE	232	224
STA.		TO STA.		
FED. ROAD DIST. NO. _		ILLINOIS	FED. AID PROJECT	

PLAN	SURVEYED	BY	DATE
	PLOTTED		
	NOTED		
	CHK'D		
	CADD FILE NAME		
NOTE BOOK NO.			

PROFILE	SURVEYED	BY	DATE
	PLOTTED		
	NOTED		
	CHK'D		
	STRUCTURE NOTATIONS CHK'D		
NOTE BOOK NO.			

Plotted: May 28, 2008 @ 6:40 AM By: Kris Pung -- Tab: 224 SECTION (22A34)



SCALE:
 HORZ. 1" = 10'
 VERT. 1" = 5'

REVISIONS	
NAME	DATE

ILLINOIS DEPARTMENT OF TRANSPORTATION

ILLINOIS ROUTE 47 CROSS SECTIONS

SCALE: DATE: 02/07/08

DRAWN BY: KKP
 CHECKED BY: WBR

Path:\S054PROJ\505446\DWG\505732.DWG FINAL ENG.CONTRACT B\9-505446-XSEC4