

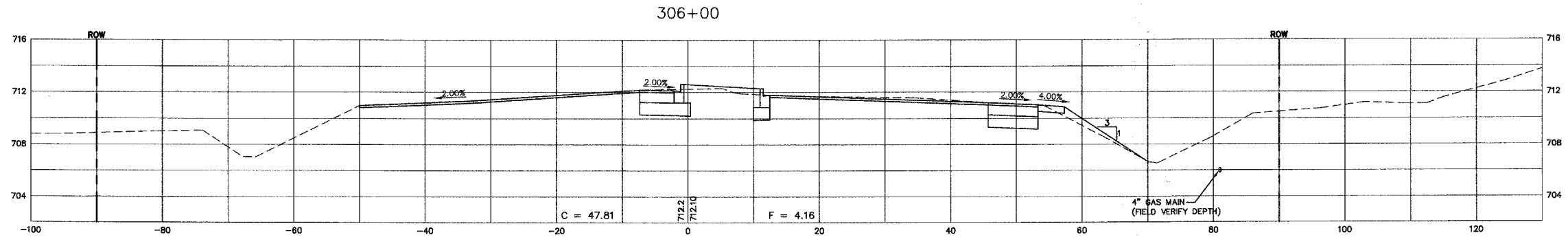
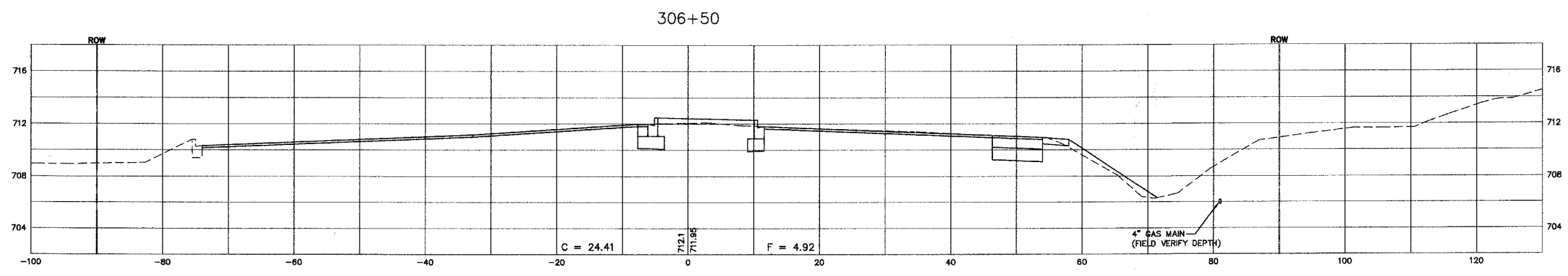
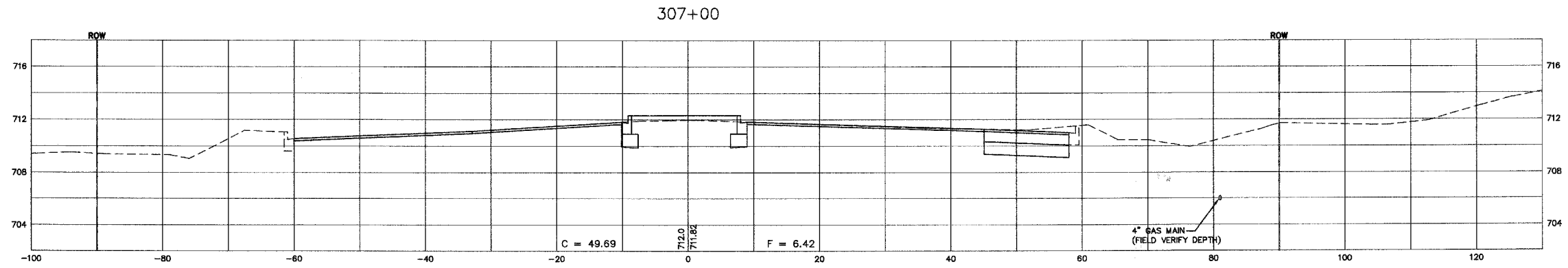


F.A. RTE.	SECTION	COUNTY	TOTAL SHEETS	SHEET NO.
N/A	06-00017-00-PV	KANE	232	229
STA.		TO STA.		
FED. ROAD DIST. NO.		ILLINOIS	FED. AID PROJECT	

PLAN	REVISIONS	DATE
NO.	BY	
NOTE BOOK	ALIGNED CHECKED	
	NO. OF SHEETS	
	CAD FILE NAME	

PROFILE	REVISIONS	DATE
NO.	BY	
NOTE BOOK	GRADES CHECKED	
	STRUCTURE NOTATIONS OK'D	

Plotted: May 25, 2008 @ 6:41 AM By: Kris Pung - Tab: 229 SECTION (22x34)



SCALE:  
 HORZ. 1" = 10'  
 VERT. 1" = 5'

REVISIONS	
NAME	DATE

ILLINOIS DEPARTMENT OF TRANSPORTATION

## ILLINOIS ROUTE 47 CROSS SECTIONS

DRAWN BY: KKP  
 CHECKED BY: WBR

SCALE:  
 DATE: 02/07/08

Path: H:\SDSKPROJ\600546\DWG\600732.DWG FINAL ENG CONTRACT B\6-500546-XSEC4