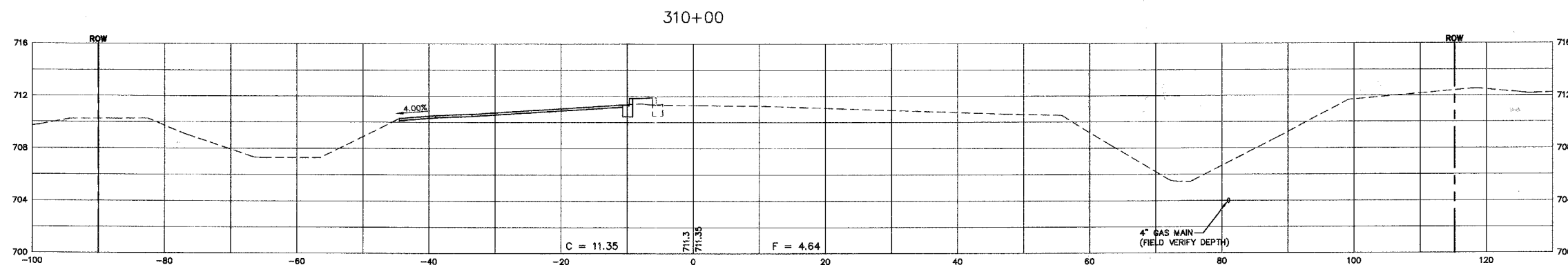
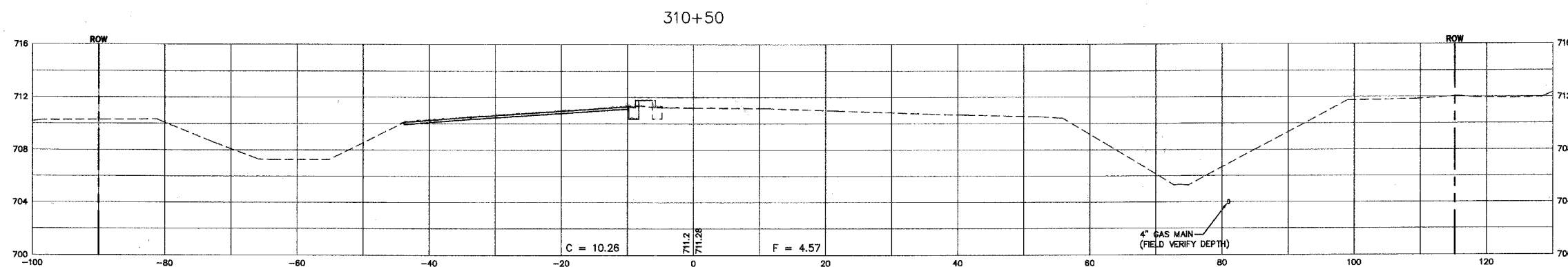
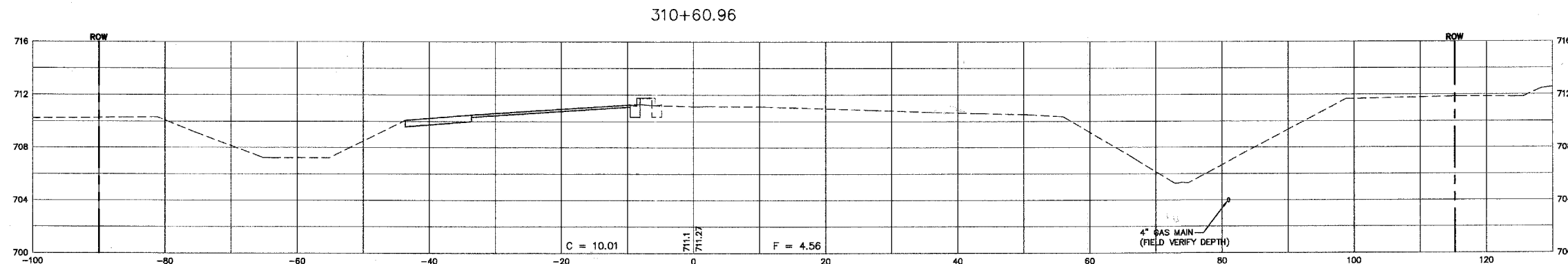




F.A. RTE.	SECTION	COUNTY	TOTAL SHEETS	SHEET NO.
N/A	06-00017-00-PV	KANE	232	232
STA.		TO STA.		
FED. ROAD DIST. NO.		ILLINOIS	FED. AID PROJECT	

PLAN	REVISIONS	DATE
NO.	NO.	
	BY	
	DATE	
	BY	
	DATE	
	BY	
	DATE	

PROFILE	REVISIONS	DATE
NO.	NO.	
	BY	
	DATE	
	BY	
	DATE	
	BY	
	DATE	



SCALE:
 HORZ. 1" = 10'
 VERT. 1" = 5'

REVISIONS	
NAME	DATE

ILLINOIS DEPARTMENT OF TRANSPORTATION

ILLINOIS ROUTE 47 CROSS SECTIONS

SCALE: DRAWN BY: KKP
 DATE: 02/07/08 CHECKED BY: WBR