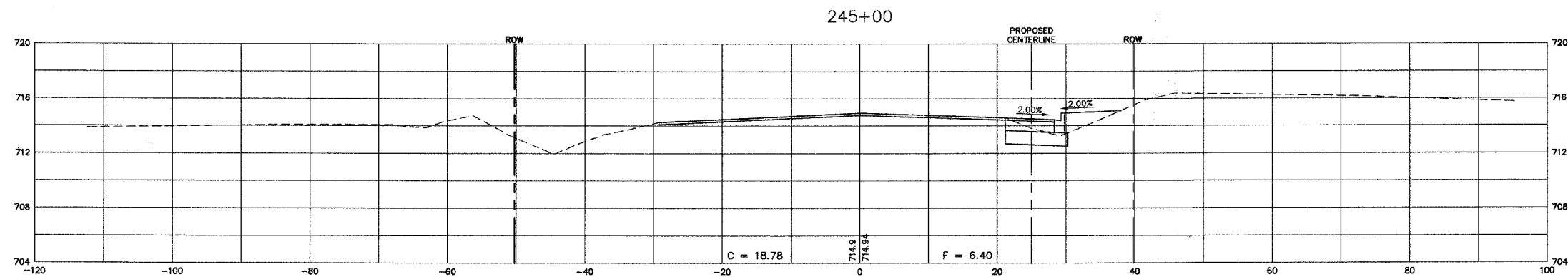
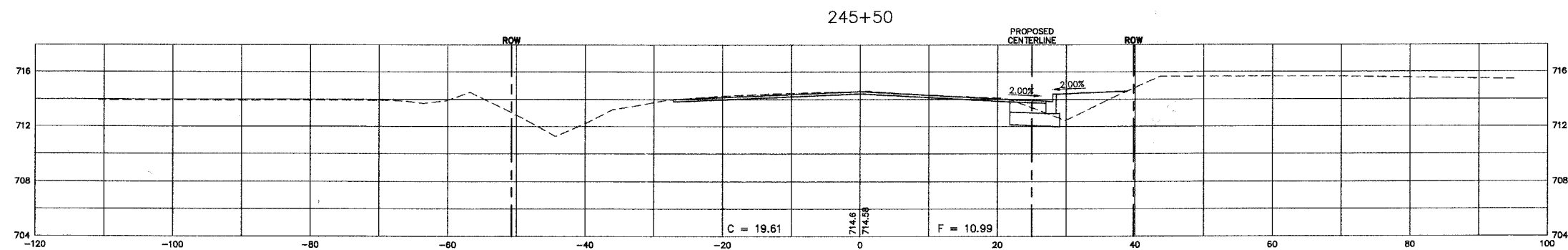
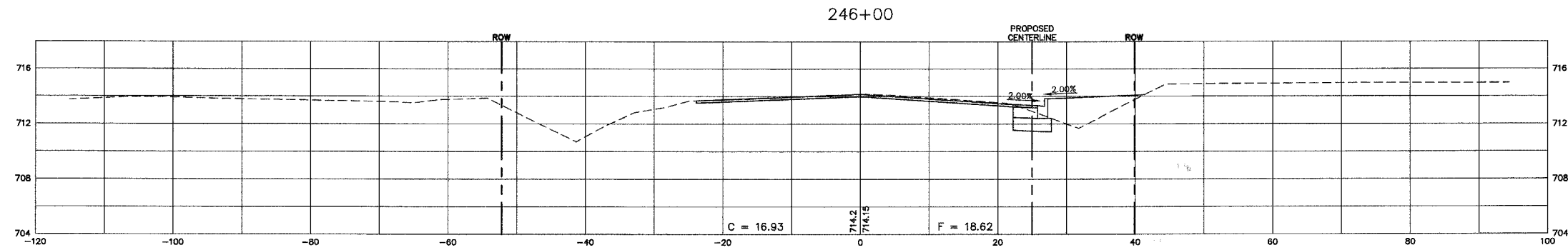




F.A. RTE.	SECTION	COUNTY	TOTAL SHEETS	SHEET NO.
N/A	06-00017-00-PV	KANE	232	201
STA.		TO STA.		
FED. ROAD DIST. NO.		ILLINOIS	FED. AID PROJECT	

PLAN	DATE
BY	
REVISIONS	
NO.	
NOTE BOOK	
NO.	
STRUCTURE	
NOTATION	
CHKD	

PROFILE	DATE
BY	
REVISIONS	
NO.	
NOTE BOOK	
NO.	
STRUCTURE	
NOTATION	
CHKD	



SCALE:
 HORZ. 1" = 10'
 VERT. 1" = 5'

REVISIONS	
NAME	DATE

ILLINOIS DEPARTMENT OF TRANSPORTATION

**GALENA BOULEVARD
 CROSS SECTIONS**

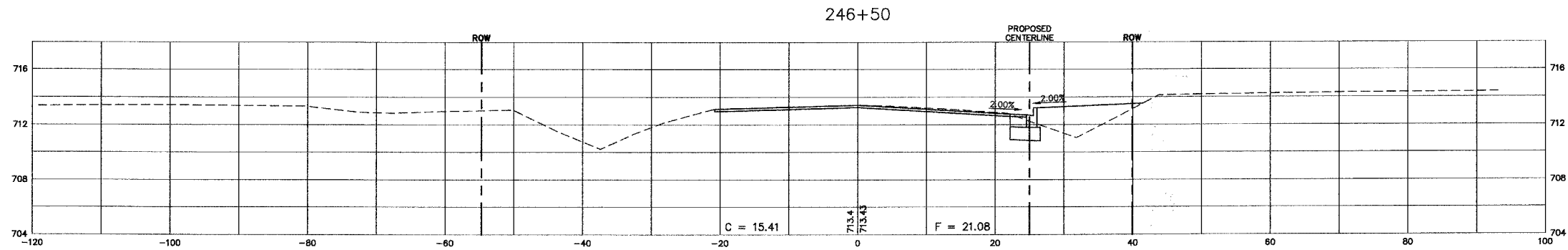
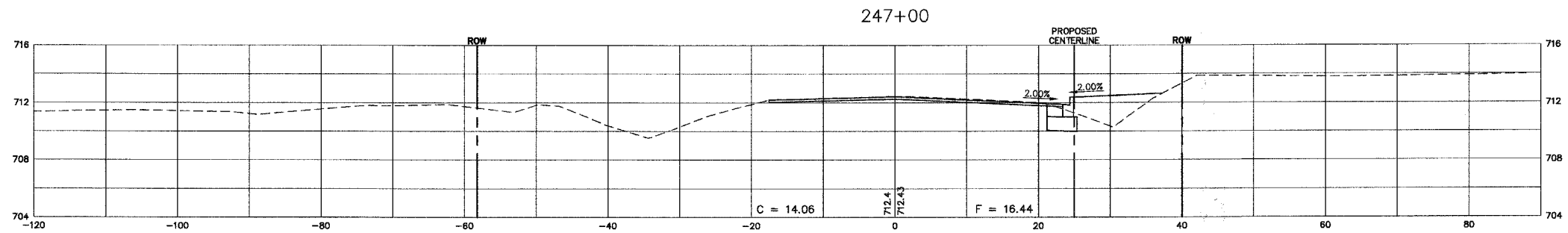
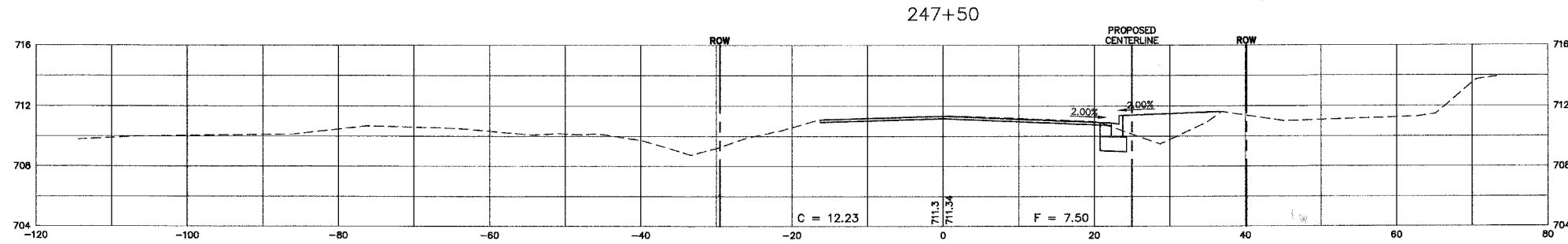
SCALE:
 DATE: 02/07/08

DRAWN BY: KKP
 CHECKED BY: WBR



F.A. R.T.E.	SECTION	COUNTY	TOTAL SHEETS	SHEET NO.
N/A	06-00017-00-PV	KANE	232	202
STA.		TO STA.		
FED. ROAD DIST. NO. _		ILLINOIS	FED. AID PROJECT	

PLAN	SURVEYED	DATE
	PLOTTED	
	ALIGNED	
	CHECKED	
	CADD FILE NAME	
NOTE BOOK NO.		



PROFILE	SURVEYED	DATE
	PLOTTED	
	ALIGNED	
	CHECKED	
	STRUCTURE NOTATIONS CHK'D	
NOTE BOOK NO.		

SCALE:
 HORZ. 1" = 10'
 VERT. 1" = 5'

REVISIONS	
NAME	DATE

ILLINOIS DEPARTMENT OF TRANSPORTATION

**GALENA BOULEVARD
 CROSS SECTIONS**

SCALE:
 DATE: 02/07/08

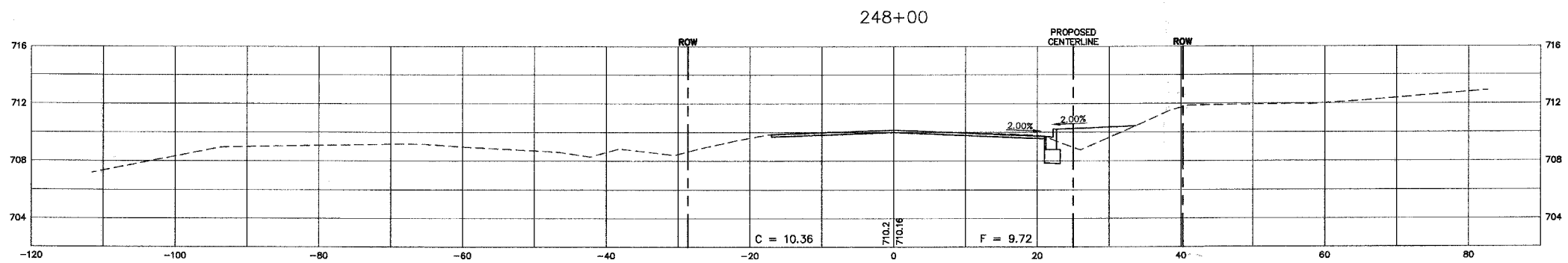
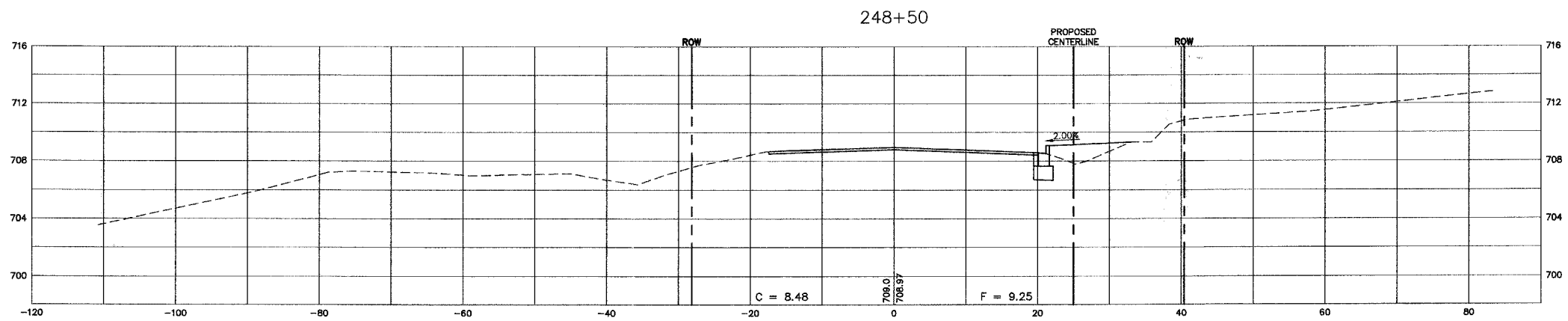
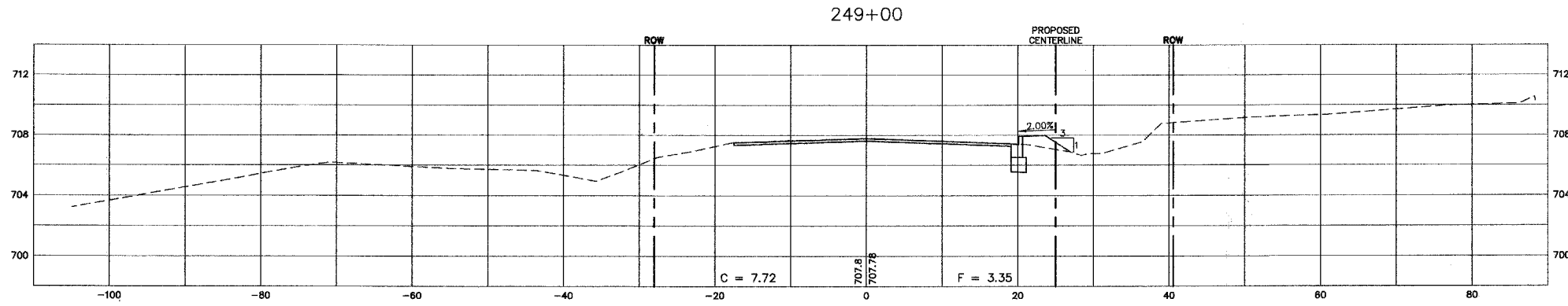
DRAWN BY: KKP
 CHECKED BY: WBR



F.A. RTE.	SECTION	COUNTY	TOTAL SHEETS	SHEET NO.
N/A	06-00017-00-PV	KANE	232	203
STA.		TO STA.		
FED. ROAD DIST. NO. _		ILLINOIS	FED. AID PROJECT	

PLAN	DESIGNED	DATE
NOTE BOOK NO.	PLOTTED	BY
	ALIGNMENT CHECKED	
	GRADES CHECKED	
	STRUCTURE NOTATION CHKD	
	DATE	

PROFILE	DESIGNED	DATE
NOTE BOOK NO.	PLOTTED	BY
	ALIGNMENT CHECKED	
	GRADES CHECKED	
	STRUCTURE NOTATION CHKD	
	DATE	



SCALE:
 HORZ. 1" = 10'
 VERT. 1" = 5'

REVISIONS	
NAME	DATE

ILLINOIS DEPARTMENT OF TRANSPORTATION

GALENA BOULEVARD CROSS SECTIONS

SCALE: DATE: 02/07/08

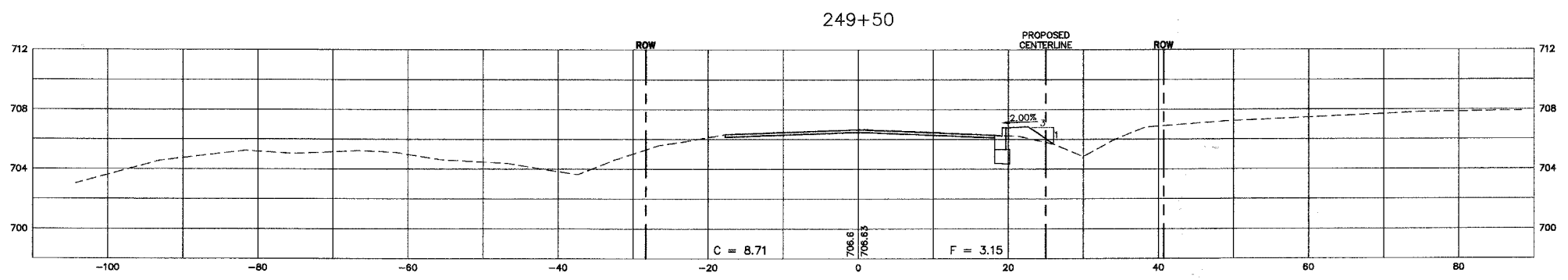
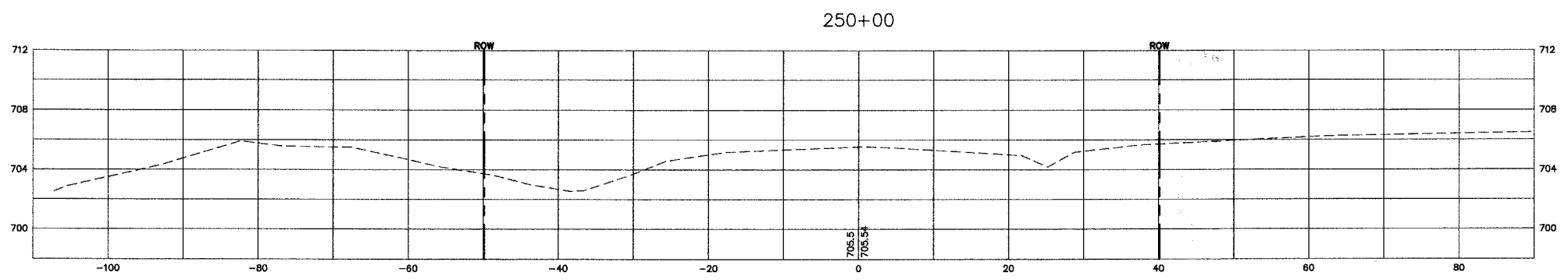
DRAWN BY: KKP
 CHECKED BY: WBR



F.A. RTE.	SECTION	COUNTY	TOTAL SHEETS	SHEET NO.
N/A	06-00017-00-PV	KANE	232	204
STA.		TO STA.		
FED. ROAD DIST. NO.		ILLINOIS	FED. AID PROJECT	

PLAN	SURVEYED	DATE
NOTE BOOK NO.	PLOTTED	
	ALIGNMENT CHECKED	
	GRADES CHECKED	
	CADD FILE NAME	

PROFILE	SURVEYED	DATE
NOTE BOOK NO.	PLOTTED	
	GRADES CHECKED	
	STRUCTURE NOTATIONS CHECKED	



SCALE:
 HORZ. 1" = 10'
 VERT. 1" = 5'

REVISIONS	
NAME	DATE

ILLINOIS DEPARTMENT OF TRANSPORTATION

**GALENA BOULEVARD
 CROSS SECTIONS**

SCALE: DATE: 02/07/08

DRAWN BY: KKP
 CHECKED BY: WBR

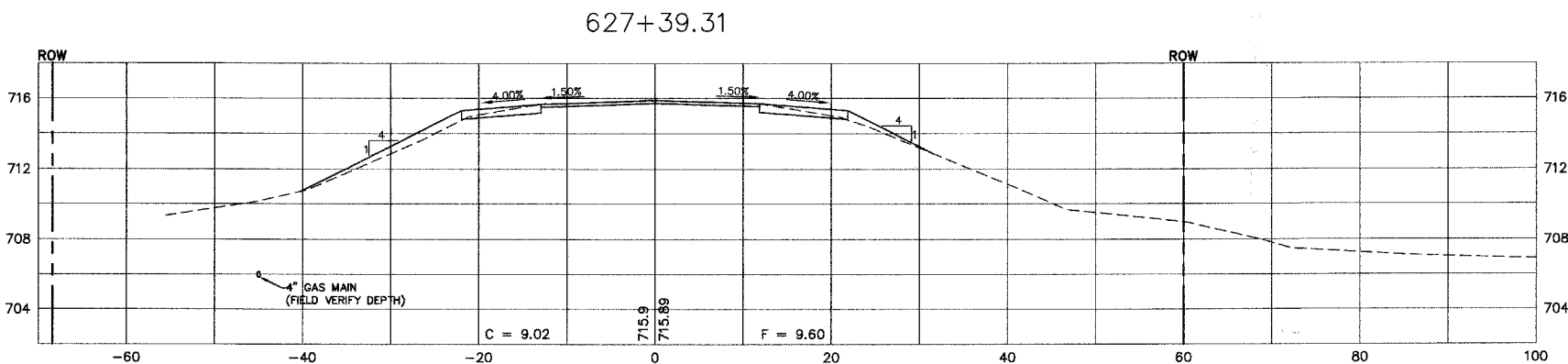
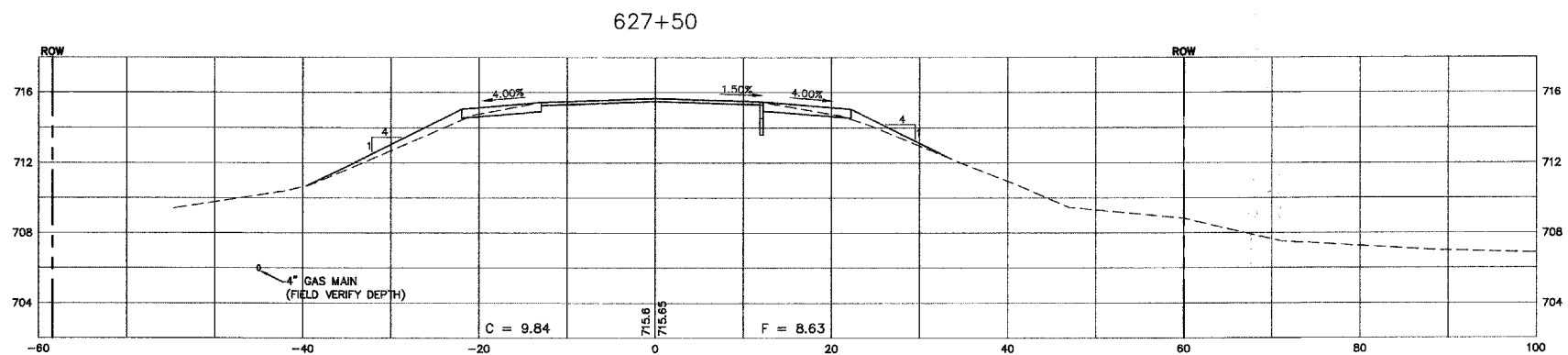
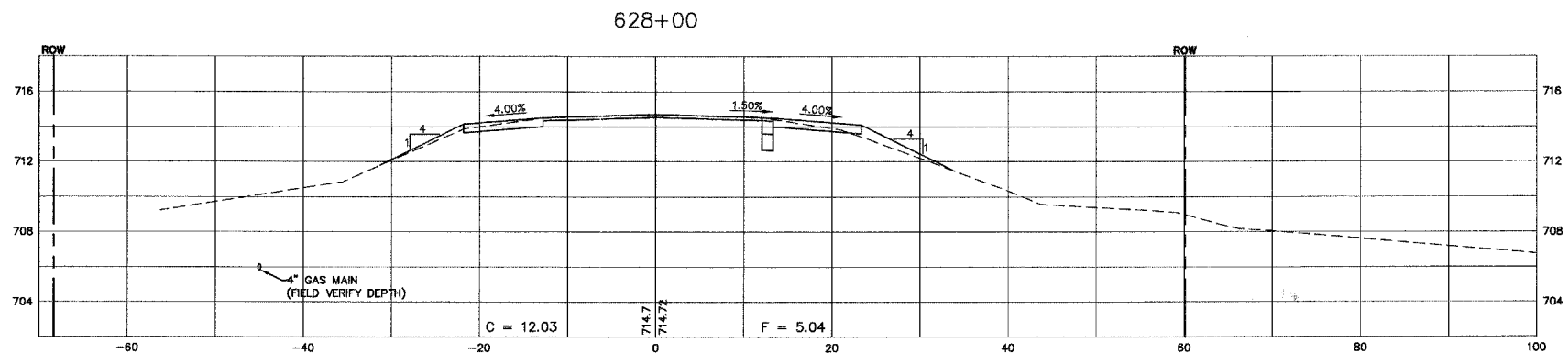


F.A. RTE.	SECTION	COUNTY	TOTAL SHEETS	SHEET NO.
N/A	D6-00017-00-PV	KANE	232	205
STA.		TO STA.		
FED. ROAD DIST. NO.		ILLINOIS	FED. AID PROJECT	

PLAN	SURVEYED	DATE
NOTE BOOK NO.	PLOTTED	BY
	ALIGNMENT CHECKED	
	CAAD FILE NAME	

PROFILE	SURVEYED	DATE
NOTE BOOK NO.	PLOTTED	BY
	GRADES CHECKED	
	STRUCTURE NOTATIONS CHKD	

Plotter: May 27, 2008 @ 4:57 PM By: Terri Seidler-Johnson -- Tab: 205 SECTION (22x34)



SCALE:
 HORZ. 1" = 10'
 VERT. 1" = 5'

REVISIONS	
NAME	DATE

ILLINOIS DEPARTMENT OF TRANSPORTATION

**U.S. ROUTE 30
CROSS SECTIONS**

SCALE: DRAWN BY: KKP
 DATE: 02/07/08 CHECKED BY: WBR

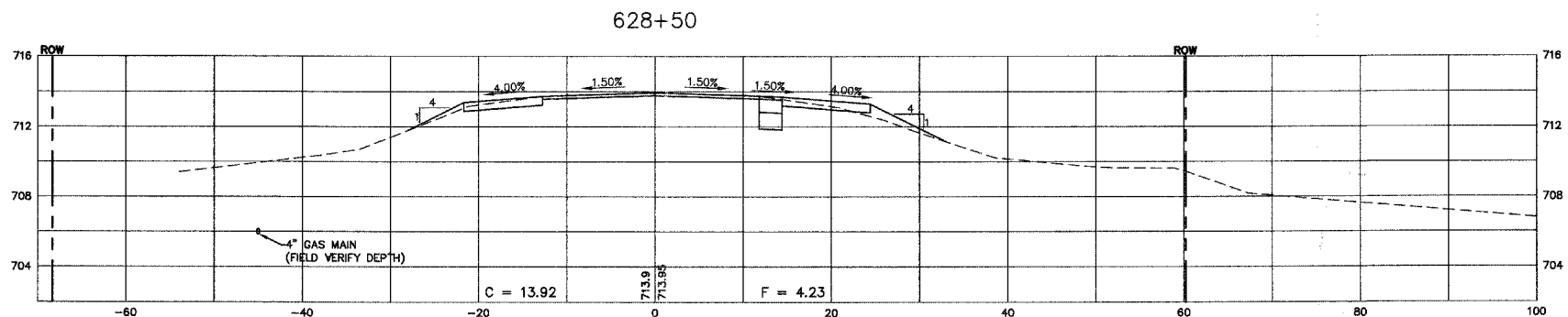
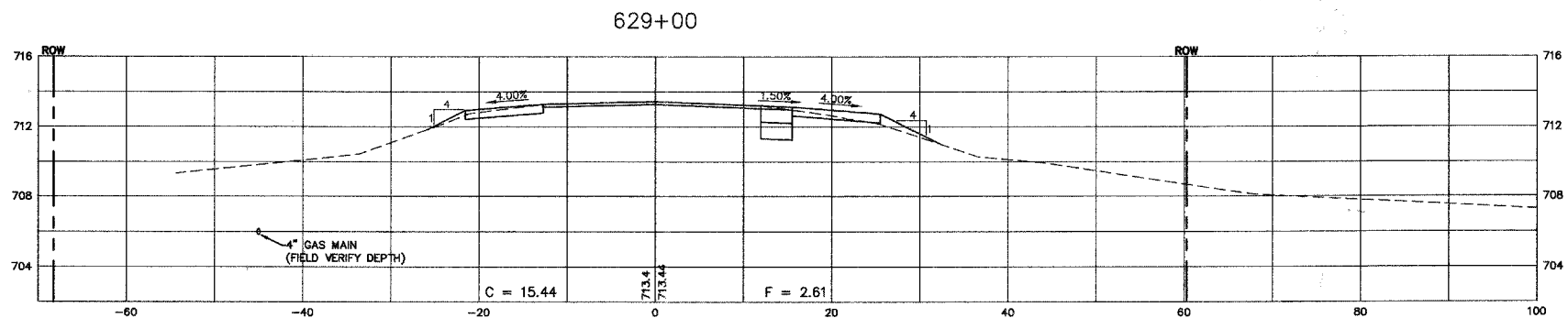
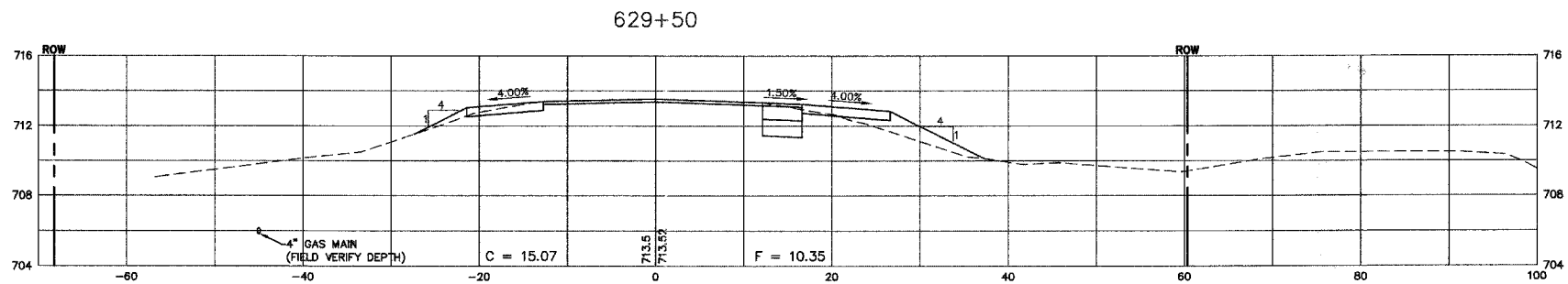
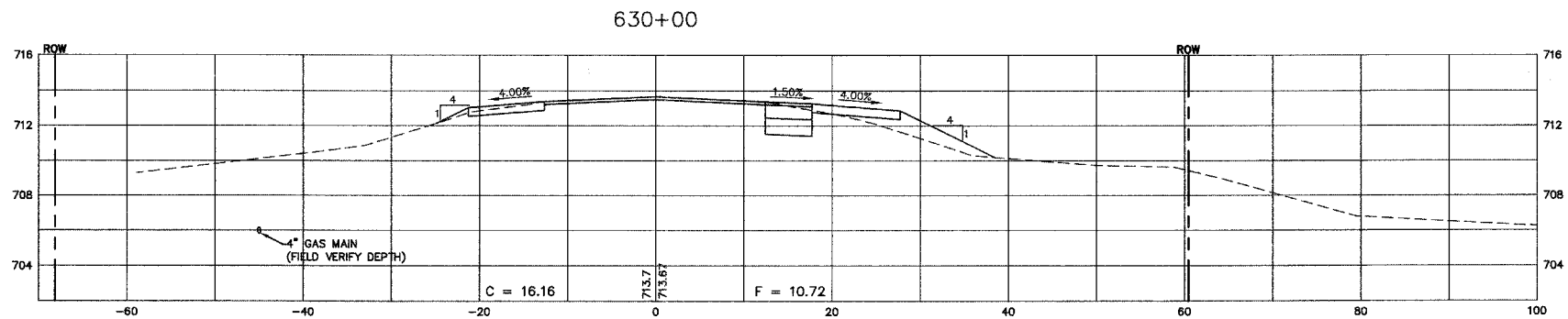
Path: H:\SDS\PROJ\56546\DWG\560732\DWG_FINAL_ENG\CONTRACT BYE-56546-35E33



F.A. RTE.	SECTION	COUNTY	TOTAL SHEETS	SHEET NO.
N/A06-00017-00-PY		KANE	232	206
STA.		TO STA.		
FED. ROAD DIST. NO.		ILLINOIS	FED. AID PROJECT	

PLAN	REVISIONS	DATE
NO.	NO.	
NOTE BOOK	ALIGNED CHECKED	
	PLOTTED	
	CADED FILE NAME	

PROFILE	REVISIONS	DATE
NO.	NO.	
NOTE BOOK	GRADES CHECKED	
	STRUCTURE NOTATIONS CHKD	



SCALE:
 HORZ. 1" = 10'
 VERT. 1" = 5'

REVISIONS	
NAME	DATE

ILLINOIS DEPARTMENT OF TRANSPORTATION

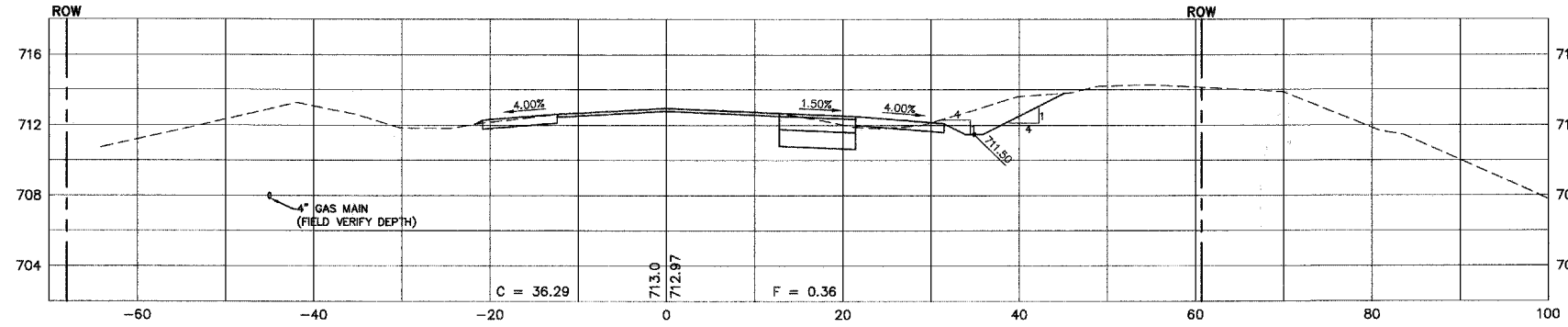
U.S. ROUTE 30
 CROSS SECTIONS

SCALE: DATE: 02/07/08
 DRAWN BY: KKP
 CHECKED BY: WBR

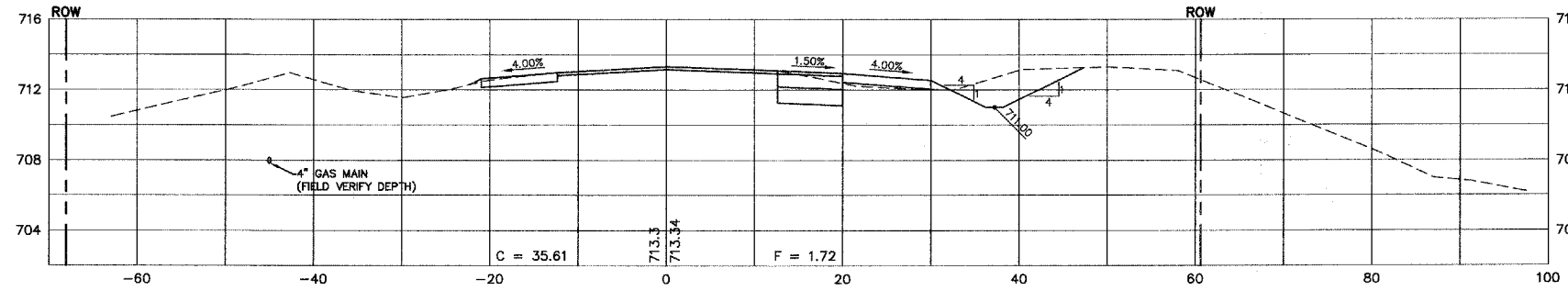


F.A. RTE.	SECTION	COUNTY	TOTAL SHEETS	SHEET NO.
N/AQ6-00017-00-PY		KANE	232	207
STA.		TO STA.		
FED. ROAD DIST. NO. ILLINOIS		FED. AID PROJECT		

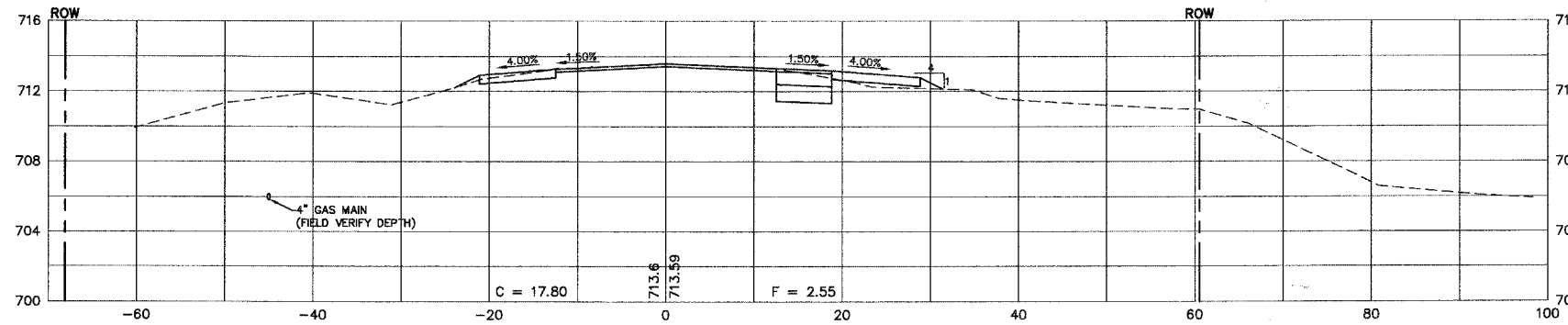
631+50



631+00



630+50



SCALE:
 HORZ. 1" = 10'
 VERT. 1" = 5'

PLAN	REVISIONS	DATE
NO.	BY	
	PLANNED	
	NOTES CHECKED	
	ALIGNMENT CHECKED	
	STRUCTURE CHECKED	
	CONTRACT FILE NAME	

PROFILE	REVISIONS	DATE
NO.	BY	
	GRADES CHECKED	
	NOTATIONS CHECKED	

REVISIONS	
NAME	DATE

ILLINOIS DEPARTMENT OF TRANSPORTATION

U.S. ROUTE 30 CROSS SECTIONS

SCALE: DRAWN BY: KKP
 DATE: 02/07/08 CHECKED BY: WBR

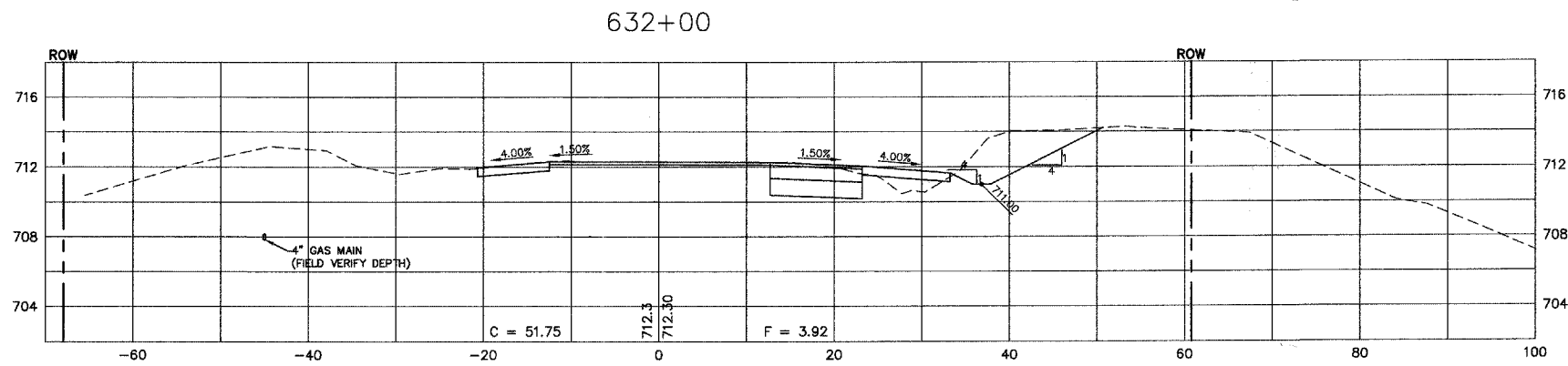
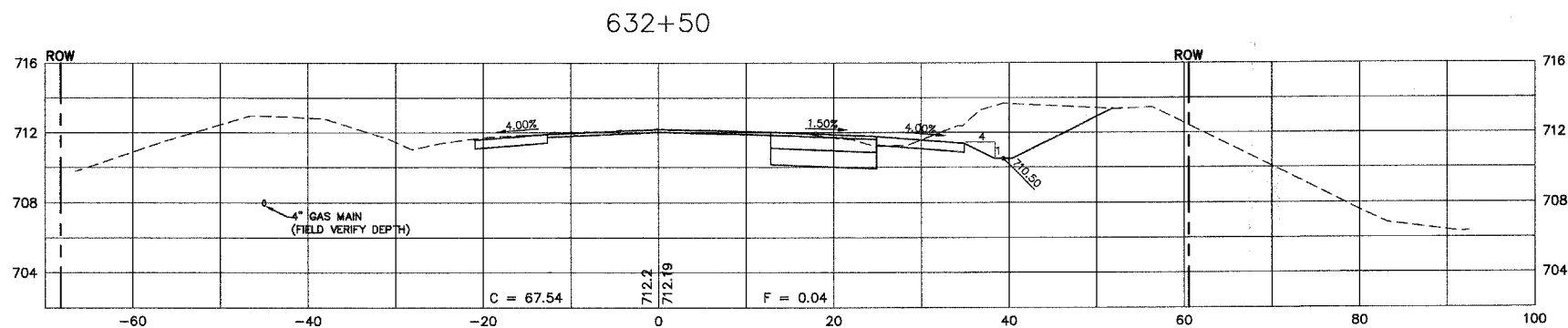
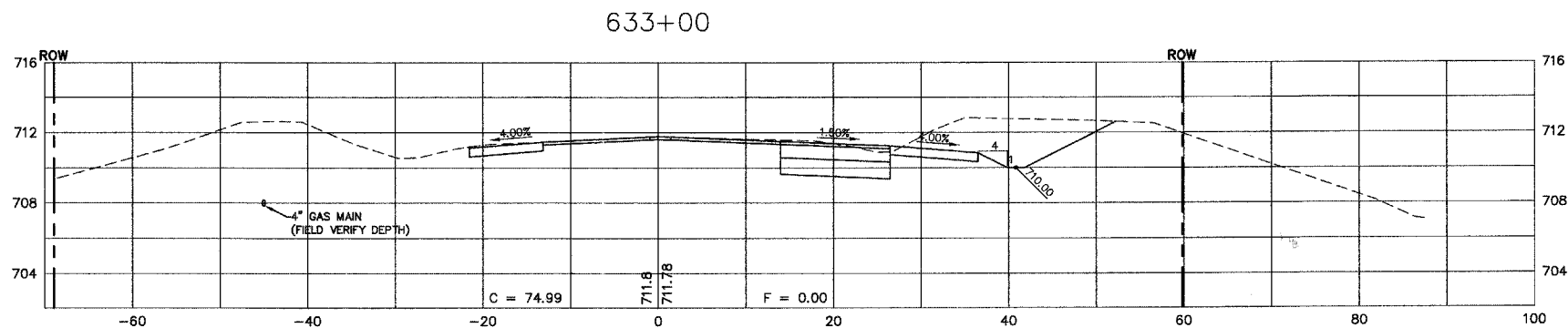


F.A. RTE.	SECTION	COUNTY	TOTAL SHEETS	SHEET NO.
N/A06-00017-00-PV		KANE	232	208
STA.		TO STA.		
FED. ROAD DIST. NO.		ILLINOIS	FED. AID PROJECT	

PLAN	SURVEYED	BY	DATE
	PLOTTED		
	ALIGNMENT CHECKED		
	NOTE BOOK NO.		
	DATE RECORDED		
	CADD FILE NAME		

PROFILE	SURVEYED	BY	DATE
	PLOTTED		
	GRADES CHECKED		
	NOTE BOOK NO.		
	STRUCTURE NOTATIONS OK'D		

Plotted: May 27, 2008 @ 4:58 PM By: Terri Seider-Johnson - Tab: 208 SECTION (22x34)



SCALE:
 HORZ. 1" = 10'
 VERT. 1" = 5'

REVISIONS	
NAME	DATE

ILLINOIS DEPARTMENT OF TRANSPORTATION

**U.S. ROUTE 30
 CROSS SECTIONS**

SCALE: DATE: 02/07/08

DRAWN BY: KKP
 CHECKED BY: WBR

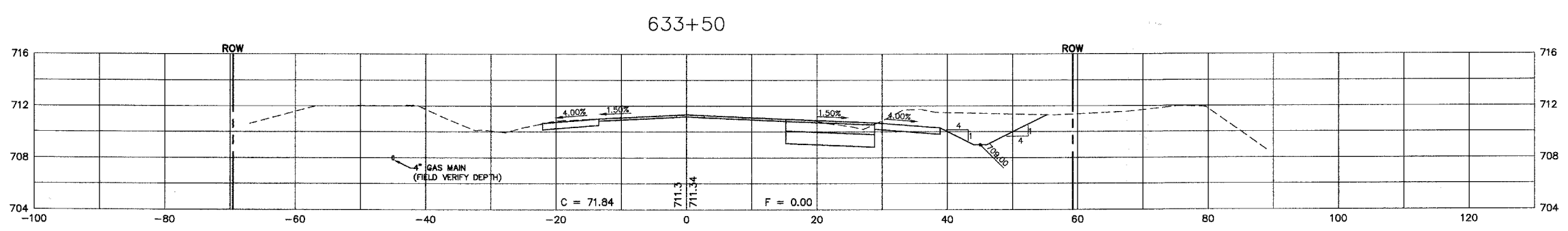
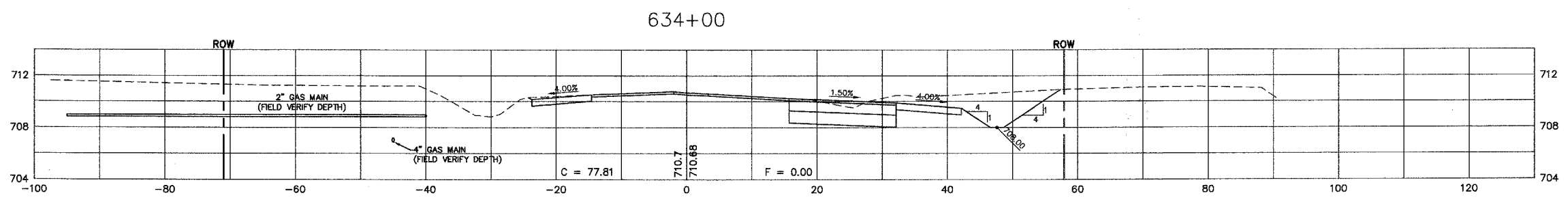
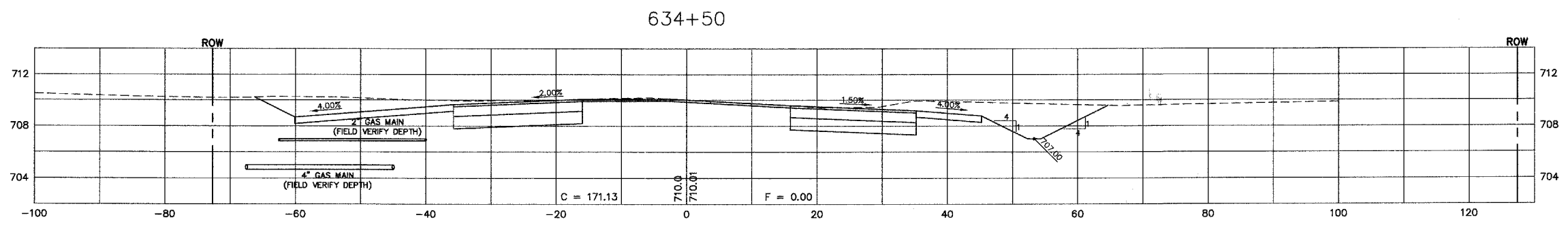
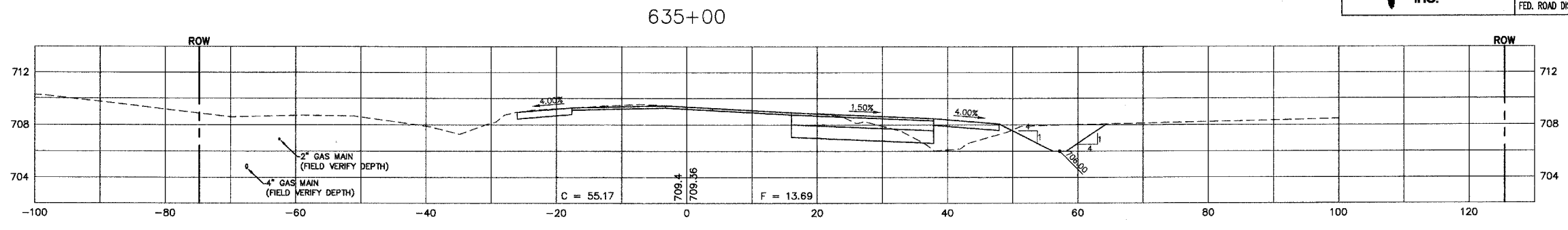
Path: H:\SDS\PRD\560546\DWG\660732\016_FINAL_ENG\CONTRACT\B\B-560546-XSEC3



F.A. RTE.	SECTION	COUNTY	TOTAL SHEETS	SHEET NO.
N/A06-00017-00-PV		KANE	232	209
STA.	TO STA.			
FED. ROAD DIST. NO. _ ILLINOIS	FED. AID PROJECT			

PLAN	DATE
SURVEYED	BY
ALIGNED	
CHECKED	
RT. OF WAY CHECKED	
NO.	

PROFILE	DATE
SURVEYED	BY
GRADES CHECKED	
BLM. NOTED	
STRUCTURE NOTATIONS CHECKED	
NO.	



SCALE:
HORIZ. 1" = 10'
VERT. 1" = 5'

REVISIONS	
NAME	DATE

ILLINOIS DEPARTMENT OF TRANSPORTATION

U.S. ROUTE 30 CROSS SECTIONS

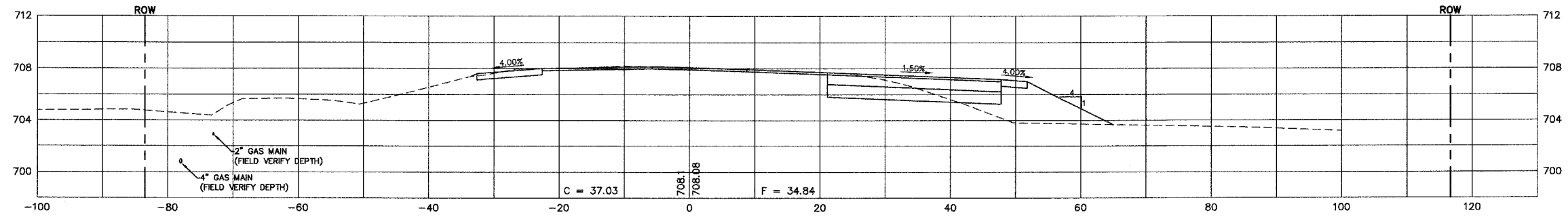
SCALE: DATE: 02/07/08

DRAWN BY: KKP
CHECKED BY: WBR

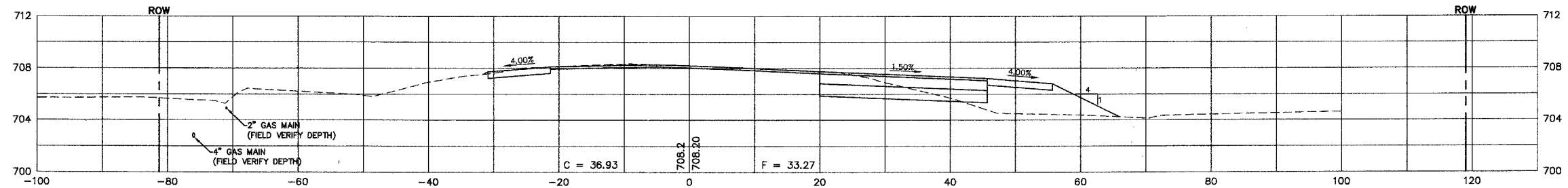


F.A. RTE.	SECTION	COUNTY	TOTAL SHEETS	SHEET NO.
N/AQ6-00017-00-PV		KANE	232	210
STA.	TO STA.			
FED. ROAD DIST. NO.	ILLINOIS	FED. AID PROJECT		

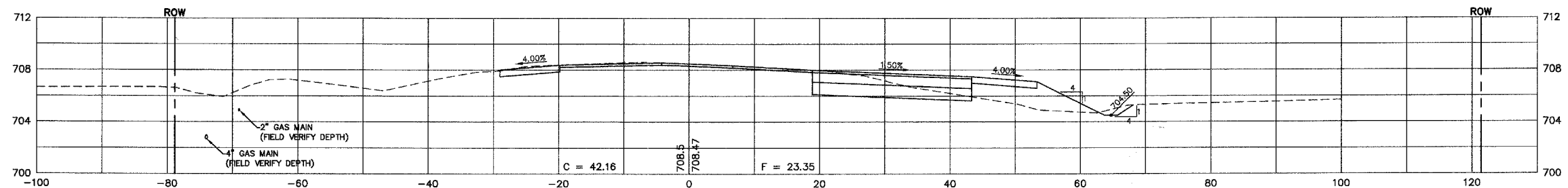
637+00



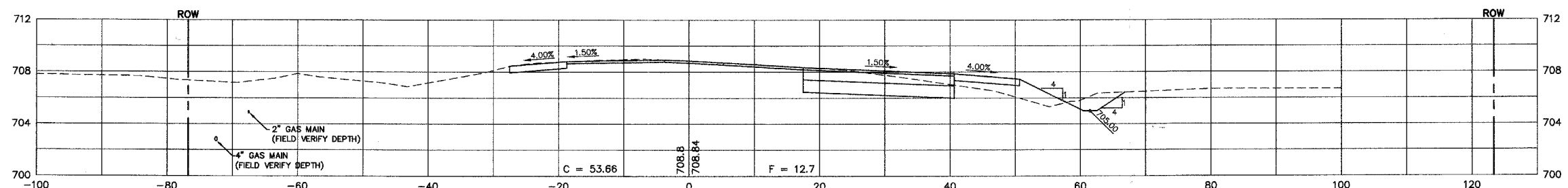
636+50



636+00



635+50



SCALE:
HORZ. 1" = 10'
VERT. 1" = 5'

PLAN	REVISIONS	DATE
NOTE BOOK NO.	BY	
NO.	DATE	

PROFILE	REVISIONS	DATE
NOTE BOOK NO.	BY	
NO.	DATE	

REVISIONS	
NAME	DATE

ILLINOIS DEPARTMENT OF TRANSPORTATION

U.S. ROUTE 30 CROSS SECTIONS

SCALE: DATE: 02/07/08

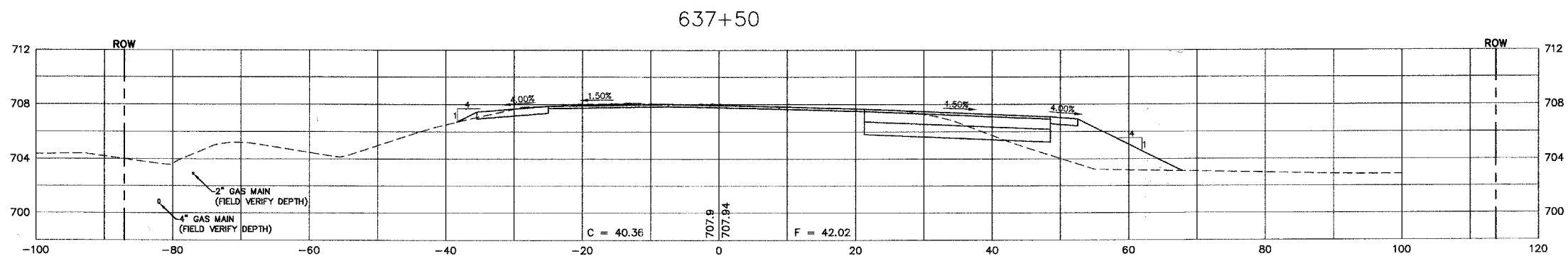
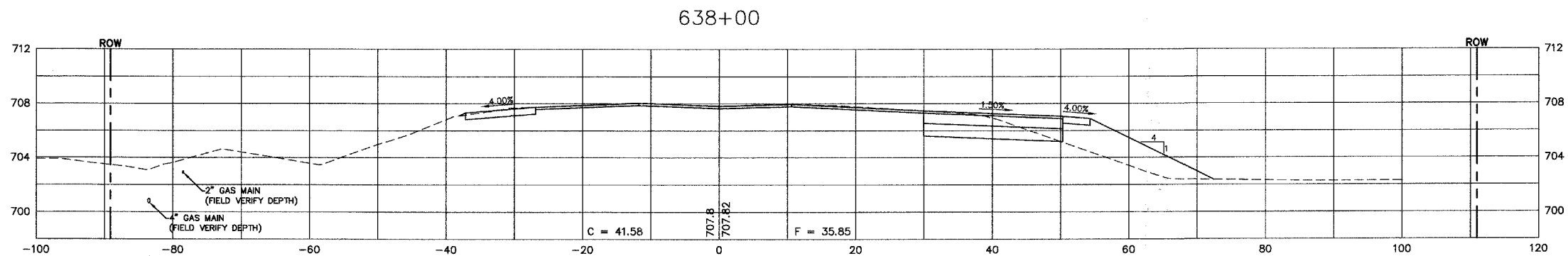
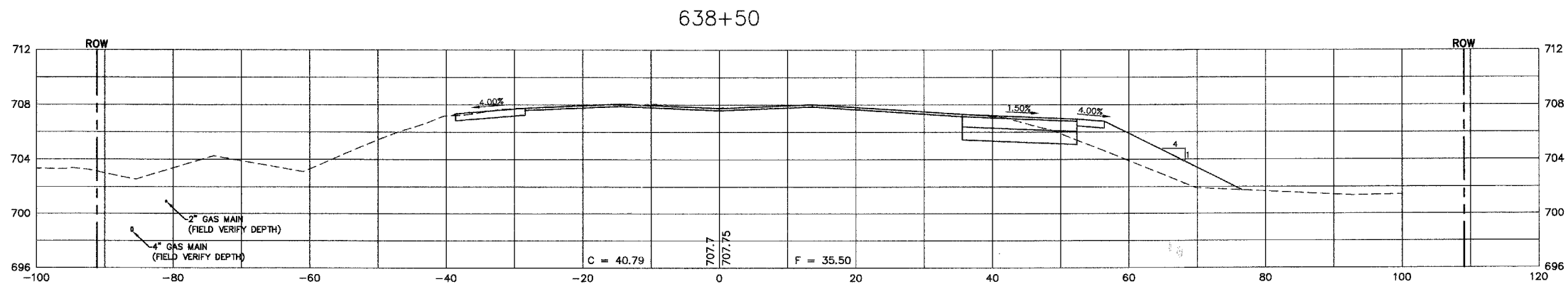
DRAWN BY: KKP
CHECKED BY: WBR



F.A. RTE.	SECTION	COUNTY	TOTAL SHEETS	SHEET NO.
N/AQ6-00017-00-PV		KANE	232	211
STA.		TO STA.		
FED. ROAD DIST. NO. ILLINOIS		FED. AID PROJECT		

PLAN	REVISIONS	DATE
NO.	BY	
NOTE BOOK	PLOTTED	
NO.	ALIGNMENT CHECKED	
	GRADES CHECKED	
	STRUCTURE NOTATION CHKD	
	ADD. FILE NAME	

PROFILE	REVISIONS	DATE
NO.	BY	
NOTE BOOK	PLOTTED	
NO.	GRADES CHECKED	
	STRUCTURE NOTATION CHKD	



SCALE:
 HORZ. 1" = 10'
 VERT. 1" = 5'

REVISIONS	
NAME	DATE

ILLINOIS DEPARTMENT OF TRANSPORTATION

**U.S. ROUTE 30
CROSS SECTIONS**

SCALE: DATE: 02/07/08

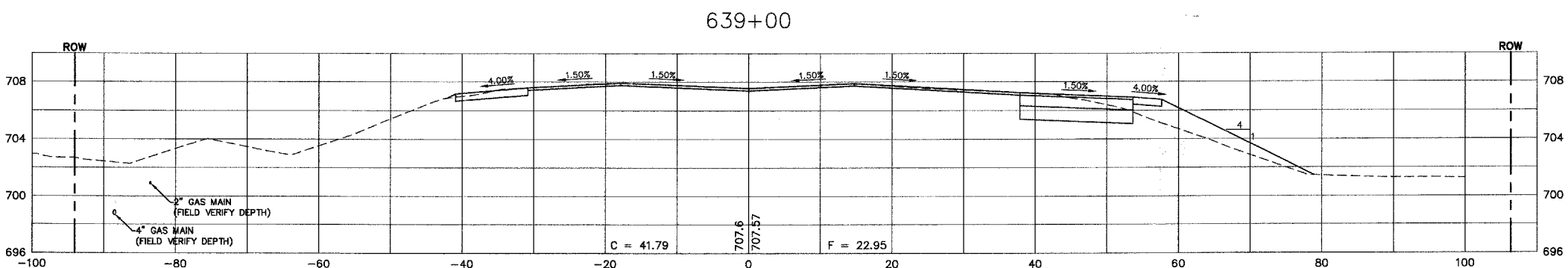
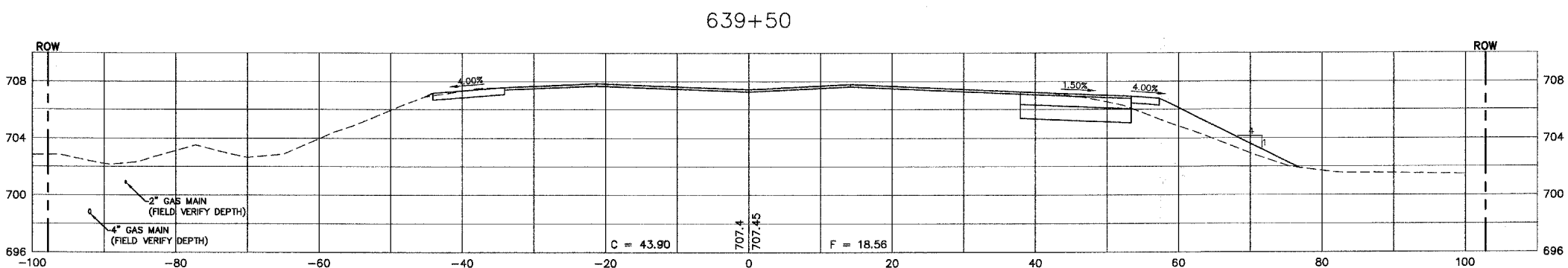
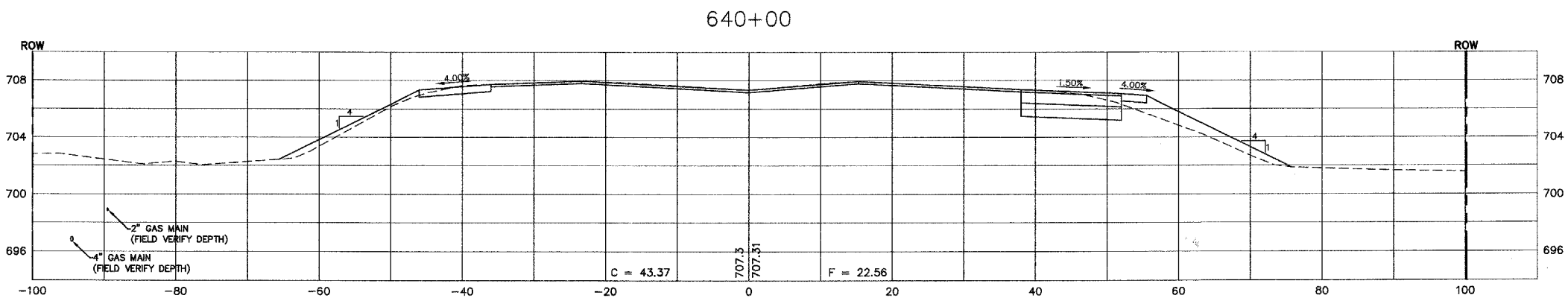
DRAWN BY: KKP
 CHECKED BY: WBR



F.A. RTE.	SECTION	COUNTY	TOTAL SHEETS	SHEET NO.
N/AQ6-00017-00-PY		KANE	232	212
STA.		TO STA.		
FED. ROAD DIST. NO. ILLINOIS		FED. AID PROJECT		

PLAN	SUBMITTED	DATE
NOTE BOOK NO.	PLOTTED	
	ALIGNMENT CHECKED	
	STRUCTURE CHECKED	
	CADD FILE NAME	

PROFILE	SUBMITTED	DATE
NOTE BOOK NO.	PLOTTED	
	GRADES CHECKED	
	STRUCTURE NOTATIONS OK'D	



SCALE:
 HORZ. 1" = 10'
 VERT. 1" = 5'

REVISIONS	
NAME	DATE

ILLINOIS DEPARTMENT OF TRANSPORTATION

**U.S. ROUTE 30
CROSS SECTIONS**

SCALE: DATE: 02/07/08

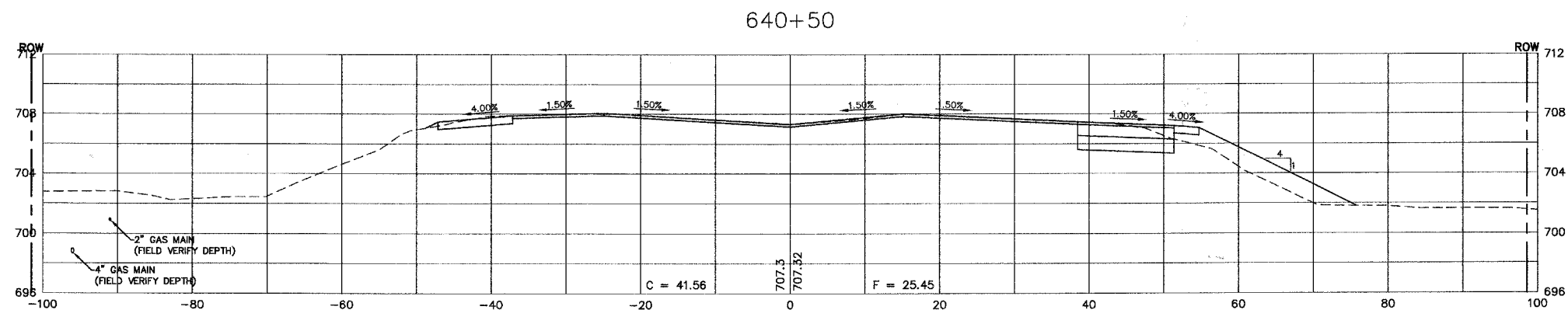
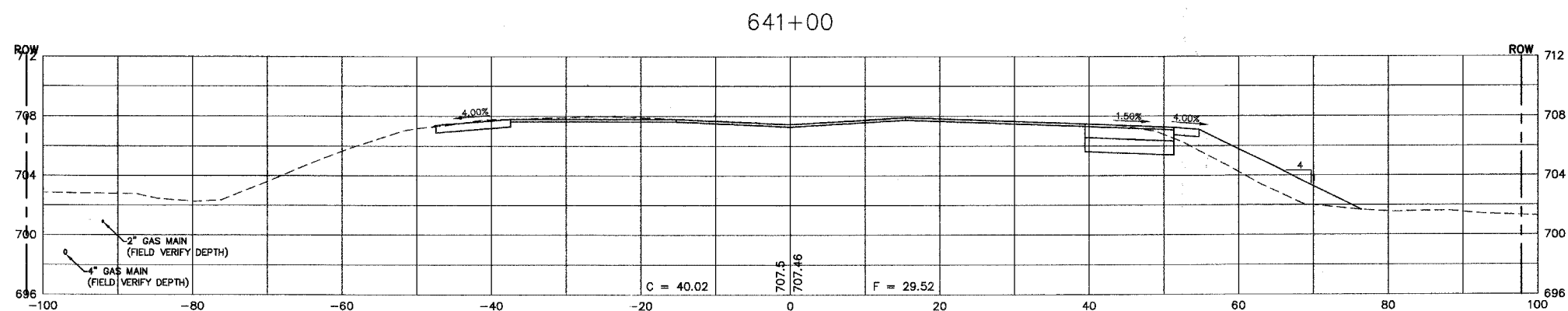
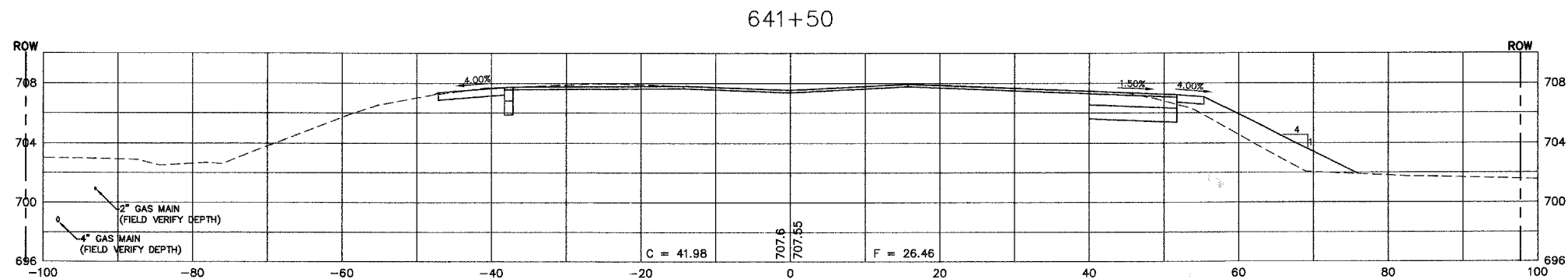
DRAWN BY: KKP
 CHECKED BY: WBR



F.A. RTE.	SECTION	COUNTY	TOTAL SHEETS	SHEET NO.
N/AQ6-00017-00-PY		KANE	232	213
STA.		TO STA.		
FED. ROAD DIST. NO. _____		ILLINOIS	FED. AID PROJECT	

PLAN	DATE
BY	
REVISIONS	
PLOTTED	
ALIGNMENT CHECKED	
NOTE BOOK NO.	
STRUCTURE	
NOVATAS CHRD	

PROFILE	DATE
BY	
REVISIONS	
PLOTTED	
GRADES CHECKED	
NOTE BOOK NO.	
STRUCTURE	
NOVATAS CHRD	



SCALE:
 HORZ. 1" = 10'
 VERT. 1" = 5'

REVISIONS	
NAME	DATE

ILLINOIS DEPARTMENT OF TRANSPORTATION

**U.S. ROUTE 30
 CROSS SECTIONS**

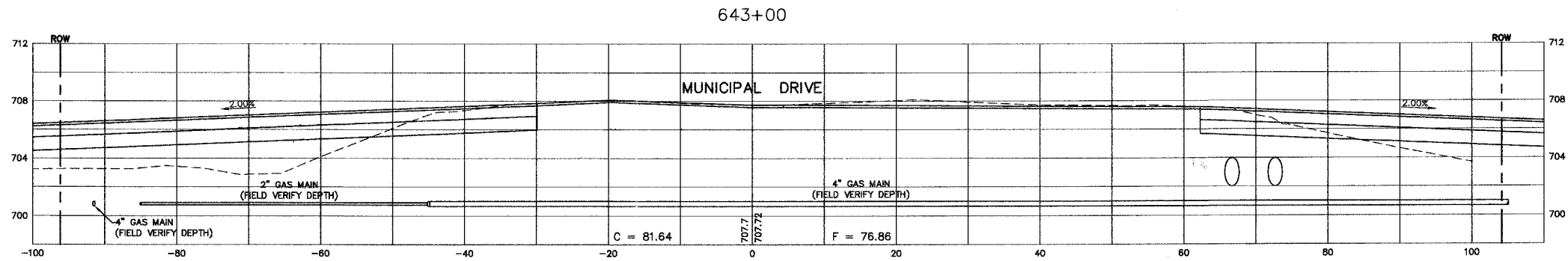
SCALE:
 DATE: 02/07/08

DRAWN BY: KKP
 CHECKED BY: WBR

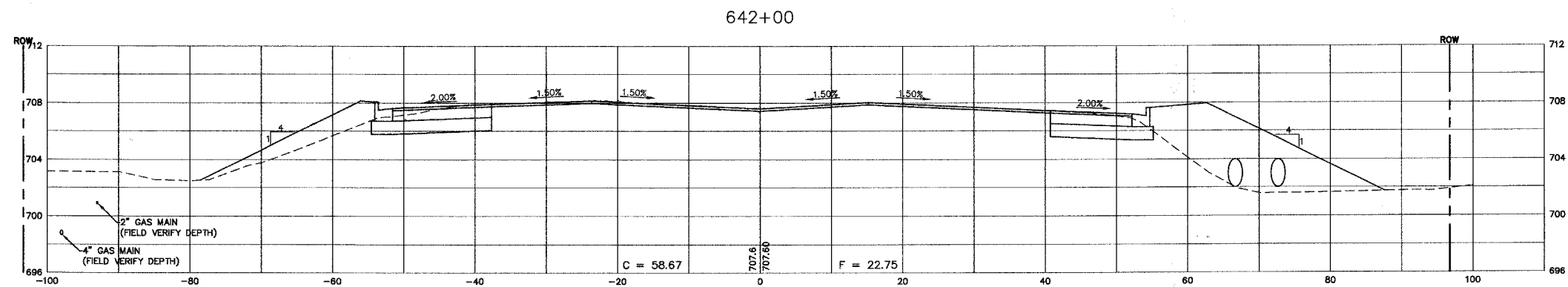
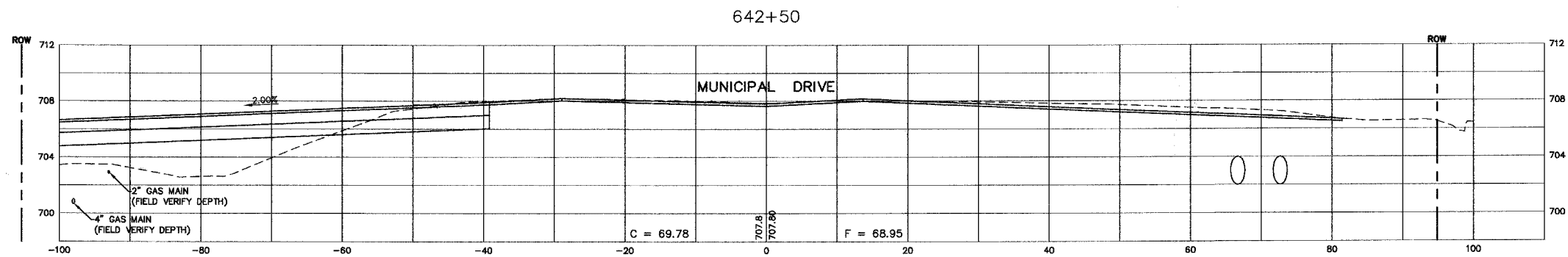


F.A. RTE.	SECTION	COUNTY	TOTAL SHEETS	SHEET NO.
N/A06-00017-00-PV		KANE	232	214
STA.		TO STA.		
FED. ROAD DIST. NO. ILLINOIS		FED. AID PROJECT		

PLAN	SURVEYED	DATE
NOTE BOOK NO.	PLOTTED	
	CHECKED	
	BY	
	DATE	



PROFILE	SURVEYED	DATE
NOTE BOOK NO.	PLOTTED	
	CHECKED	
	BY	
	DATE	



SCALE:
 HORZ. 1" = 10'
 VERT. 1" = 5'

REVISIONS	
NAME	DATE

ILLINOIS DEPARTMENT OF TRANSPORTATION

U.S. ROUTE 30 CROSS SECTIONS

SCALE: DATE: 02/07/08

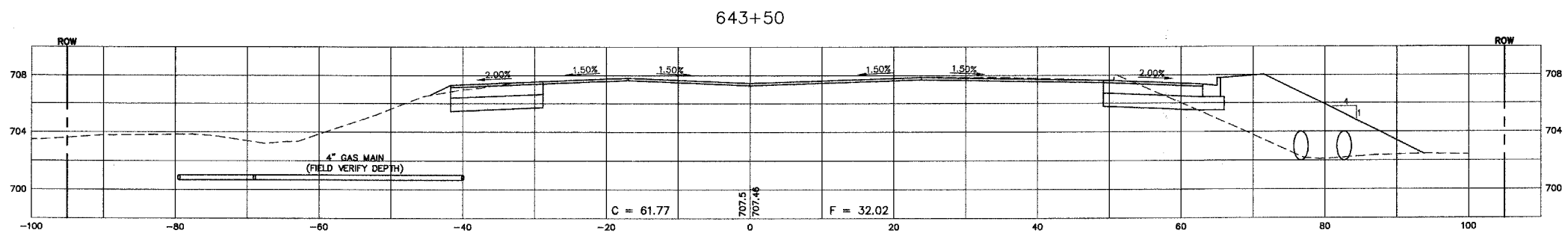
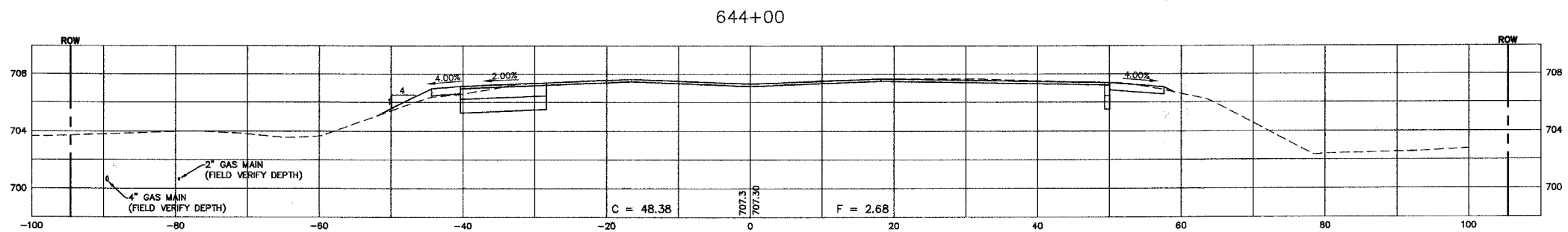
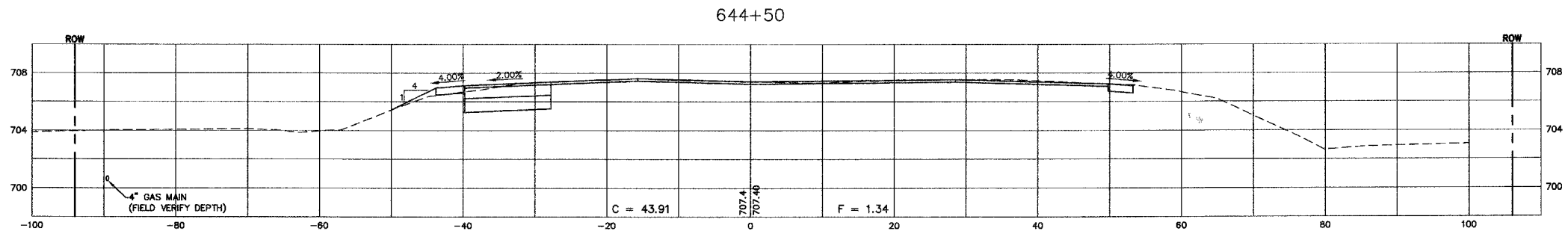
DRAWN BY: KKP
 CHECKED BY: WBR



F.A. RTE.	SECTION	COUNTY	TOTAL SHEETS	SHEET NO.
N/AQ6-00017-00-PY		KANE	232	215
STA.		TO STA.		
FED. ROAD DIST. NO. ILLINOIS		FED. AID PROJECT		

PLAN	SURVEYED	DATE
	PLOTTED	
	ALIGNMENT CHECKED	
	NOTE BOOK	
	NO.	
	CADD FILE NAME	

PROFILE	SURVEYED	DATE
	PLOTTED	
	GRADES CHECKED	
	STRUCTURE	
	NOTATIONS CHK'D	



SCALE:
 HORZ. 1" = 10'
 VERT. 1" = 5'

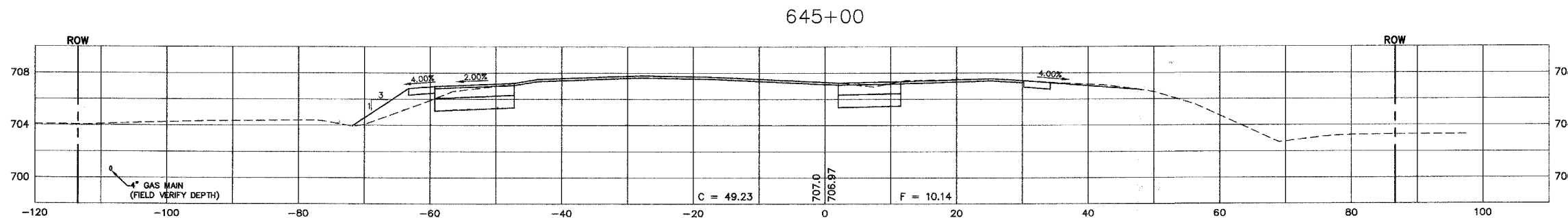
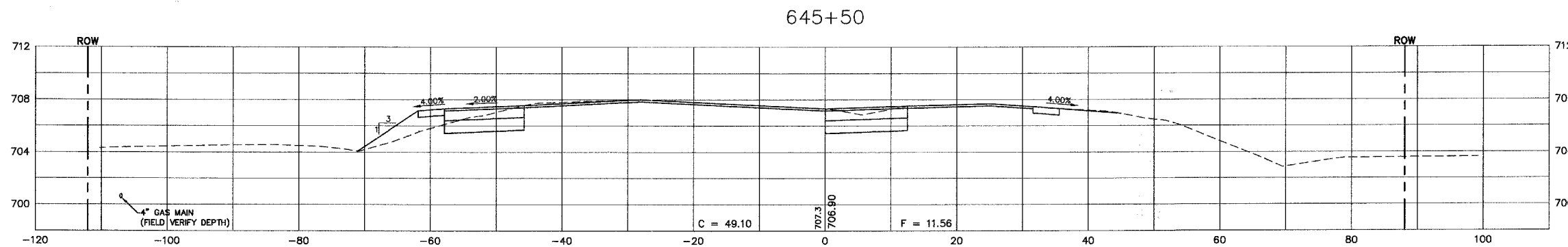
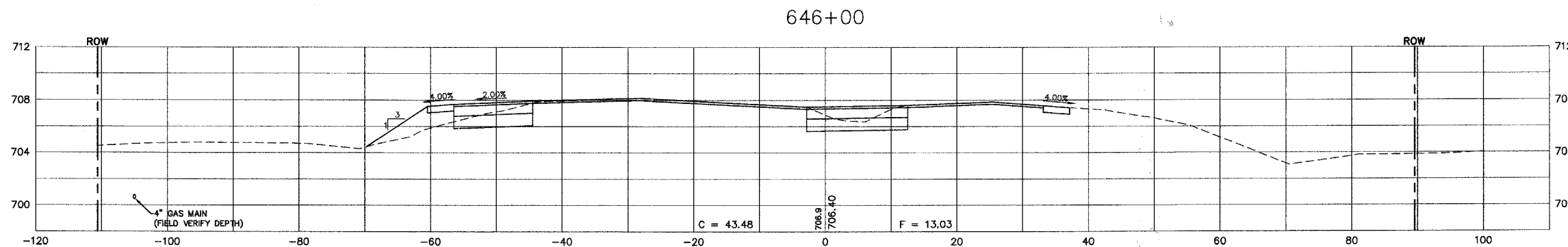
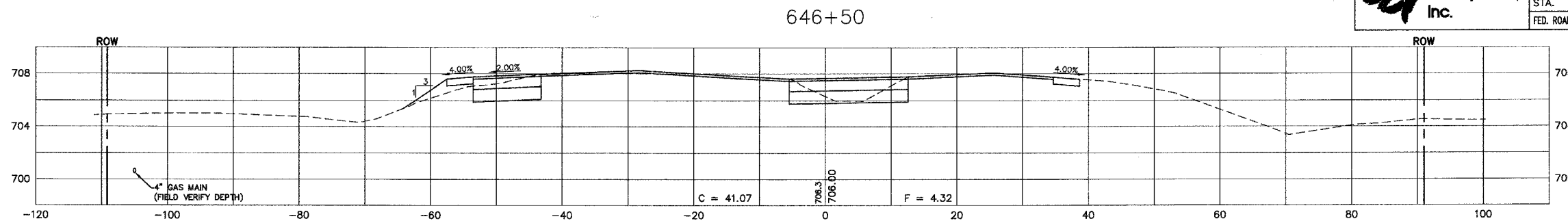
REVISIONS		ILLINOIS DEPARTMENT OF TRANSPORTATION	
NAME	DATE	<p align="center">U.S. ROUTE 30 CROSS SECTIONS</p> <p>SCALE: DATE: 02/07/08</p> <p>DRAWN BY: KKP CHECKED BY: WBR</p>	



F.A. R.T.E.	SECTION	COUNTY	TOTAL SHEETS	SHEET NO.
N/A06-00017-00-PY		KANE	232	216
STA.		TO STA.		
FED. ROAD DIST. NO. ILLINOIS		FED. AID PROJECT		

PLAN	REVISIONS	DATE
NO.	NO.	
NOTE BOOK	ALIGNED CHECKED	
	PLOTTED	
	FIELD FILE NAME	

PROFILE	REVISIONS	DATE
NO.	NO.	
NOTE BOOK	GRADES CHECKED	
	PLOTTED	
	STRUCTURE NOTATIONS CHECKED	



SCALE:
 HORZ. 1" = 10'
 VERT. 1" = 5'

REVISIONS	
NAME	DATE

ILLINOIS DEPARTMENT OF TRANSPORTATION

U.S. ROUTE 30
 CROSS SECTIONS

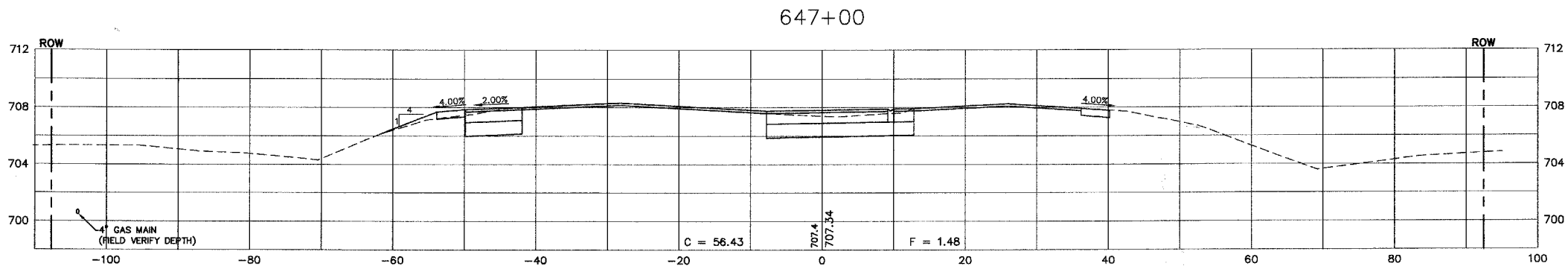
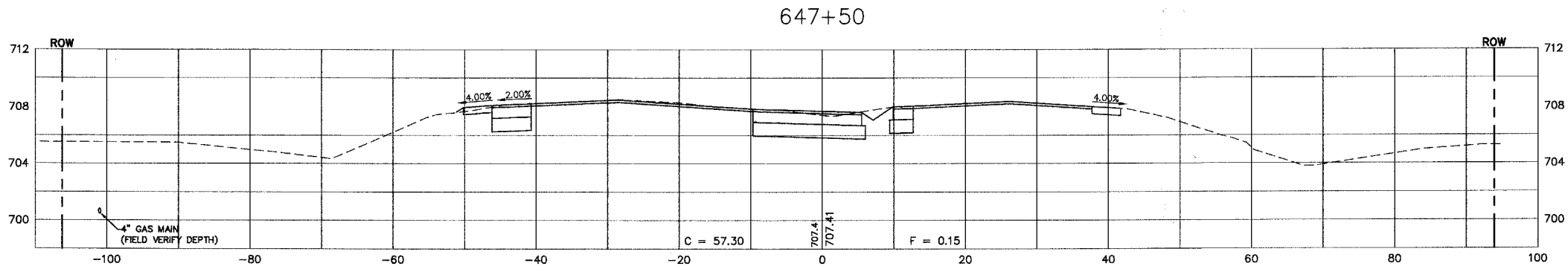
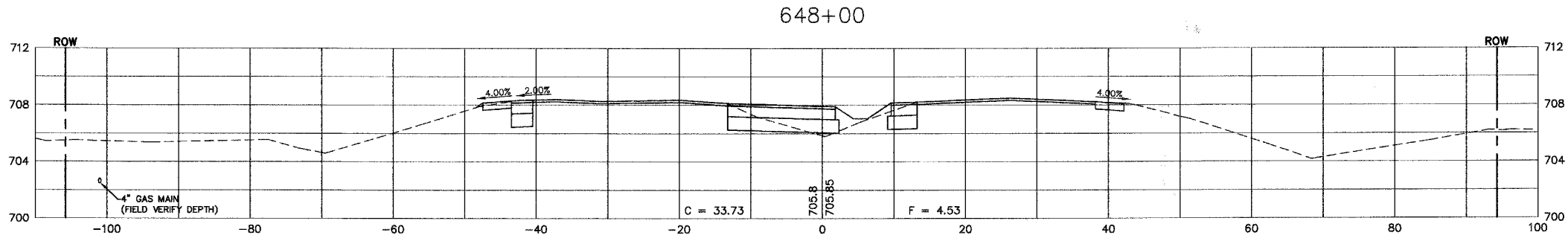
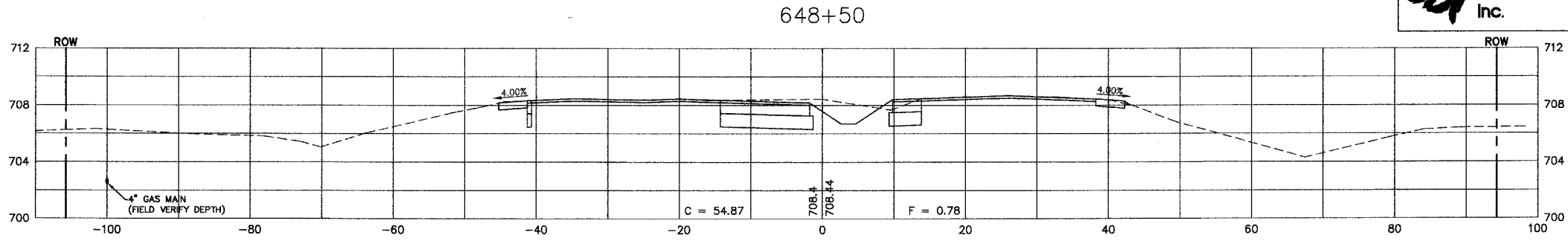
SCALE: DATE: 02/07/08
 DRAWN BY: KKP
 CHECKED BY: WBR



F.A. RTE.	SECTION	COUNTY	TOTAL SHEETS	SHEET NO.
N/AQ6-00017-00-PY		KANE	232	217
STA.		TO STA.		
FED. ROAD DIST. NO.		ILLINOIS	FED. AID PROJECT	

PLAN	REVISIONS	DATE
	BY	
NOTE BOOK NO.	PLANNED	
	ALIGNED	
	CHECKED	
	PAID FILE NAME	

PROFILE	REVISIONS	DATE
	BY	
NOTE BOOK NO.	GRADES CHECKED	
	STRUCTURE	
	NOTATION CHKD	



SCALE:
HORZ. 1" = 10'
VERT. 1" = 5'

REVISIONS	
NAME	DATE

ILLINOIS DEPARTMENT OF TRANSPORTATION

U.S. ROUTE 30
CROSS SECTIONS

SCALE:
DATE: 02/07/08

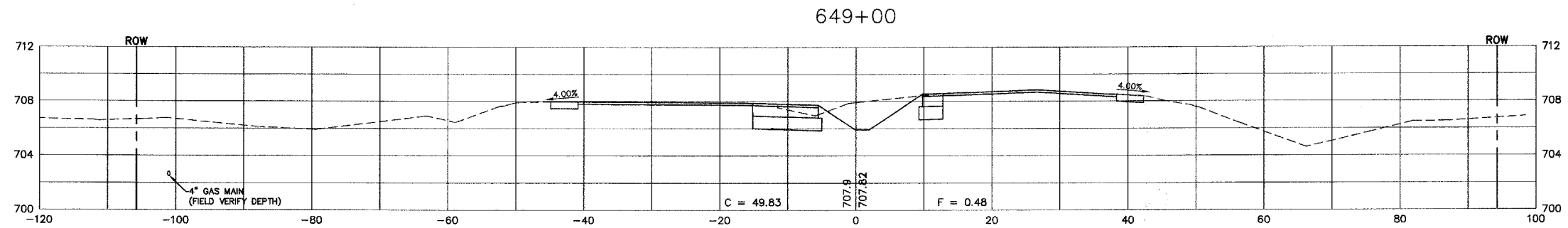
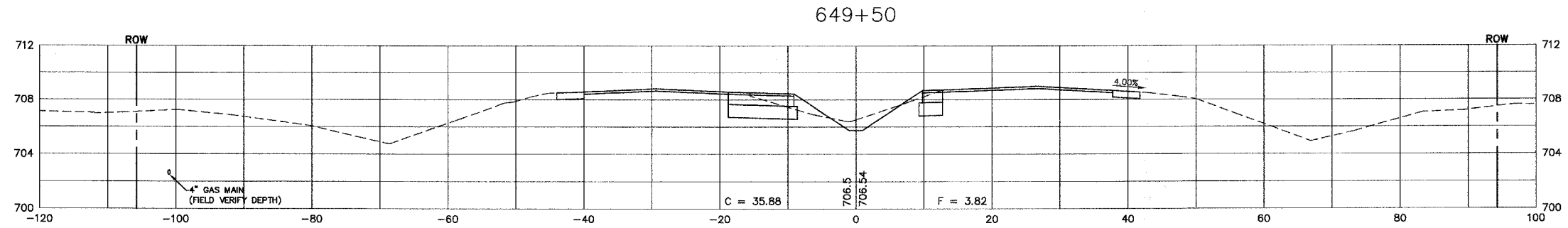
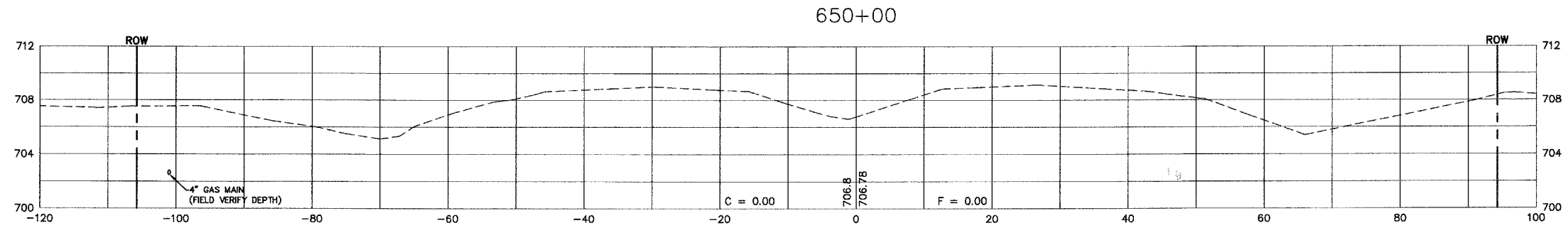
DRAWN BY: KKP
CHECKED BY: WBR



F.A. RTE.	SECTION	COUNTY	TOTAL SHEETS	SHEET NO.
N/A06-00017-00-PV		KANE	232	218
STA.	TO STA.			
FED. ROAD DIST. NO. _	ILLINOIS	FED. AID PROJECT		

PLAN	SURVEYED	DATE
NOTE BOOK	ALIGNED	
NO.	FT. OF WAY CHECKED	
	CADD FILE NAME	

PROFILE	SURVEYED	DATE
NOTE BOOK	GRADES CHECKED	
NO.	STRUCTURE NOTATIONS CHFD	



SCALE:
 HORZ. 1" = 10'
 VERT. 1" = 5'

REVISIONS	
NAME	DATE

ILLINOIS DEPARTMENT OF TRANSPORTATION

**U.S. ROUTE 30
 CROSS SECTIONS**

SCALE:
 DATE: 02/07/08

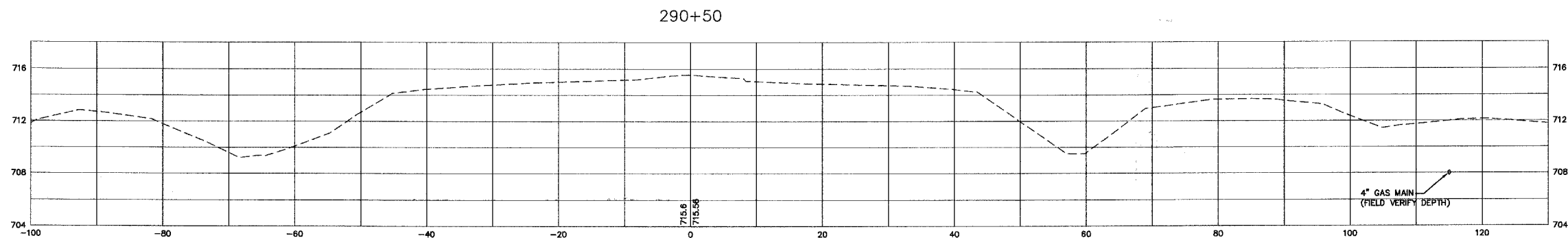
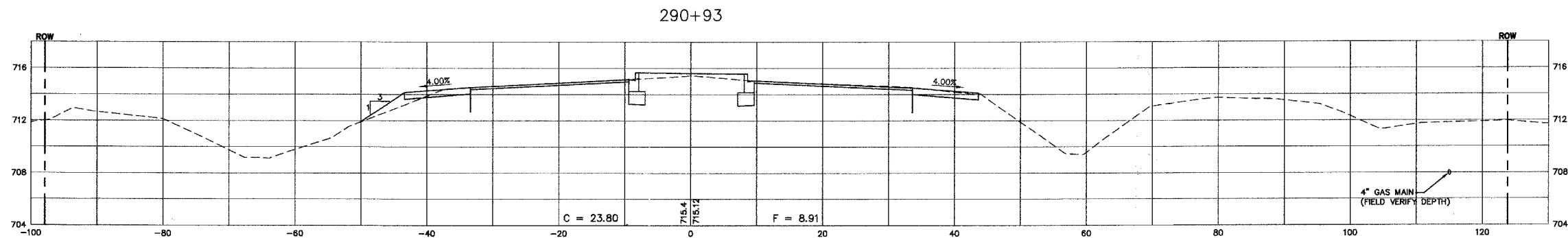
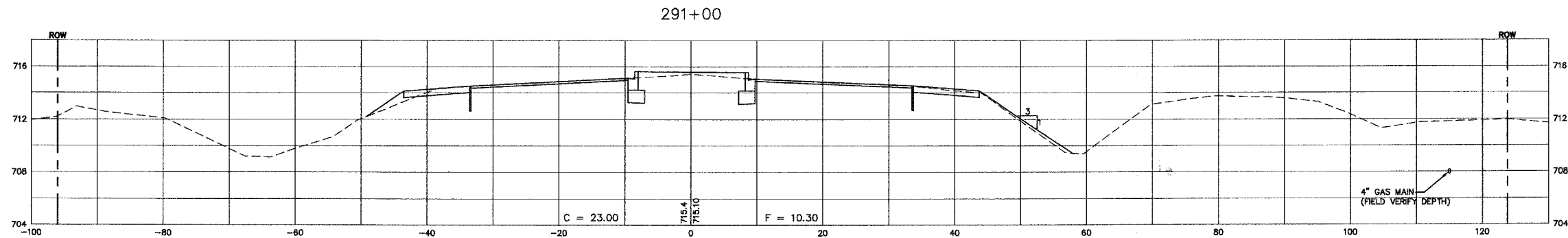
DRAWN BY: KKP
 CHECKED BY: WBR



F.A. RTE.	SECTION	COUNTY	TOTAL SHEETS	SHEET NO.
N/A	D6-00017-00-PV	KANE	232	219
STA.		TO STA.		
FED. ROAD DIST. NO. ILLINOIS		FED. AID PROJECT		

PLAN	SURVEYED	DATE
NOTE BOOK NO.	PLOTTED	BY
	ALIGNMENT CHECKED	
	GRADES CHECKED	
	STRUCTURE NOTATIONS CHECKED	
	CADD FILE NAME	

PROFILE	SURVEYED	DATE
NOTE BOOK NO.	PLOTTED	BY
	ALIGNMENT CHECKED	
	GRADES CHECKED	
	STRUCTURE NOTATIONS CHECKED	



SCALE:
 HORZ. 1" = 10'
 VERT. 1" = 5'

REVISIONS	
NAME	DATE

ILLINOIS DEPARTMENT OF TRANSPORTATION

ILLINOIS ROUTE 47 CROSS SECTIONS

SCALE: DATE: 02/07/08

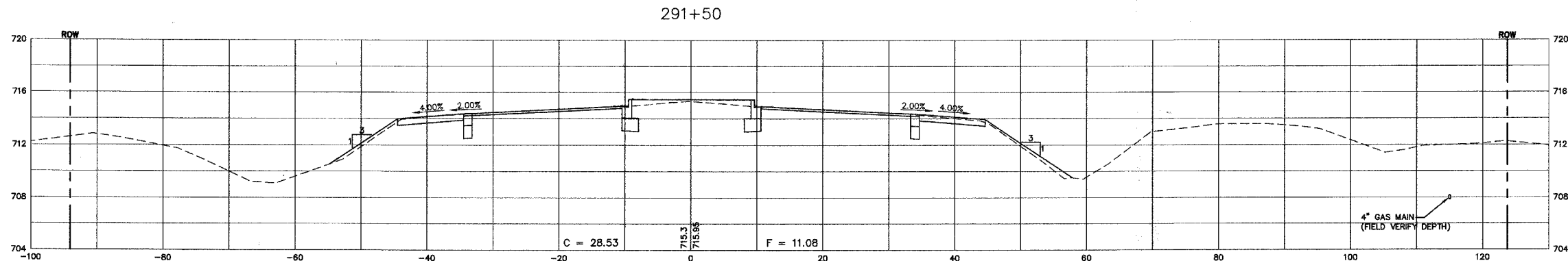
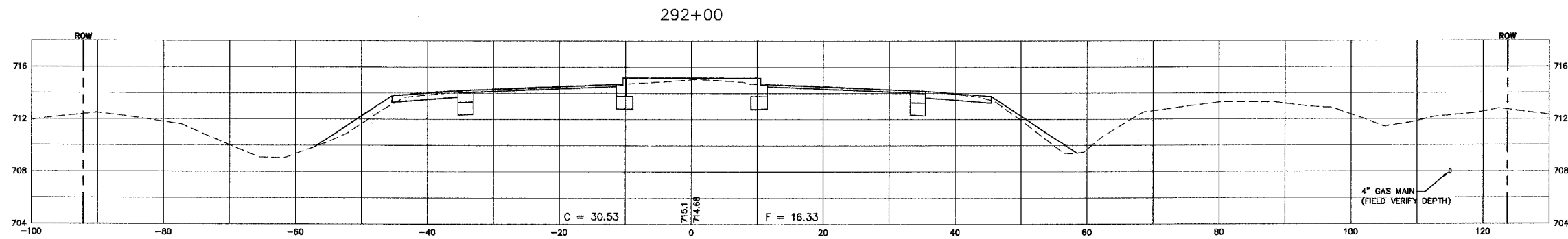
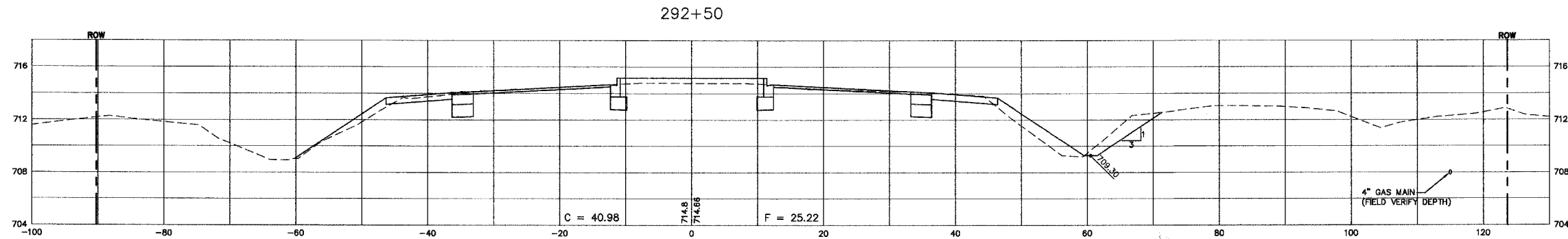
DRAWN BY: KKP
 CHECKED BY: WBR



F.A. RTE.	SECTION	COUNTY	TOTAL SHEETS	SHEET NO.
N/A	06-00017-00-PV	KANE	232	220
STA.		TO STA.		
FED. ROAD DIST. NO. _		ILLINOIS	FED. AID PROJECT	

PLAN	SURVEYED	DATE
NOTE BOOK NO.	PLOTTED	BY
	ALIGNMENT CHECKED	
	GRADES CHECKED	
	STRUCTURE NOTATIONS CHECKED	
	CADD FILE NAME	

PROFILE	SURVEYED	DATE
NOTE BOOK NO.	PLOTTED	BY
	ALIGNMENT CHECKED	
	GRADES CHECKED	
	STRUCTURE NOTATIONS CHECKED	



REVISIONS	
NAME	DATE

ILLINOIS DEPARTMENT OF TRANSPORTATION

**ILLINOIS ROUTE 47
CROSS SECTIONS**

SCALE: _____

DATE: 02/07/08

DRAWN BY: KKP

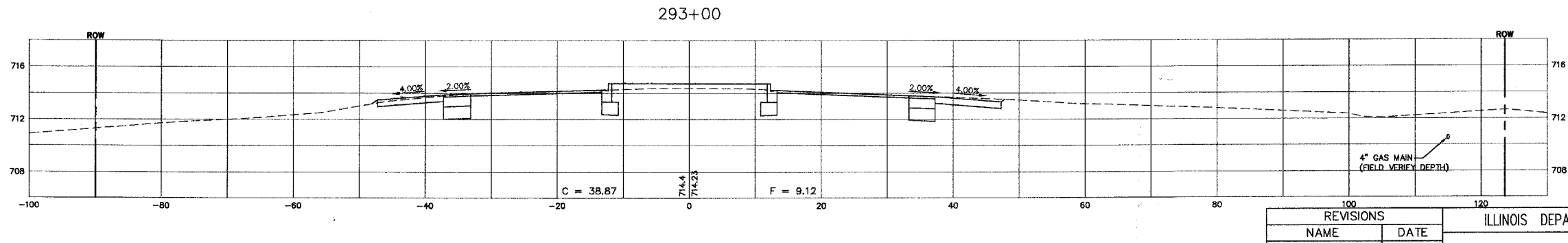
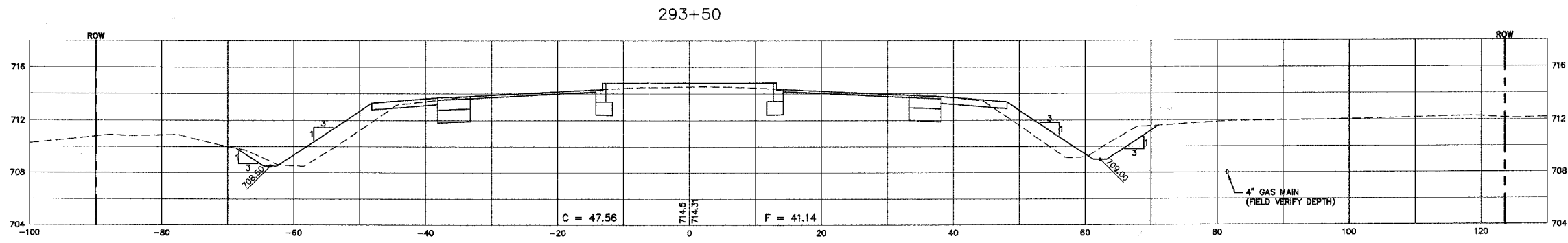
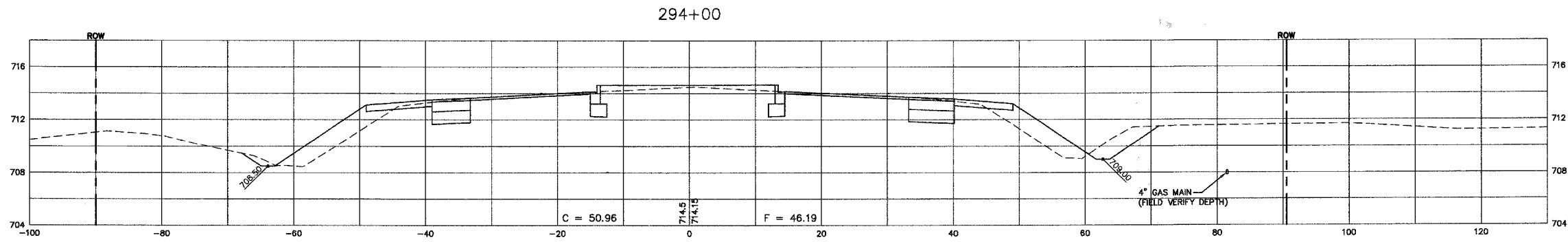
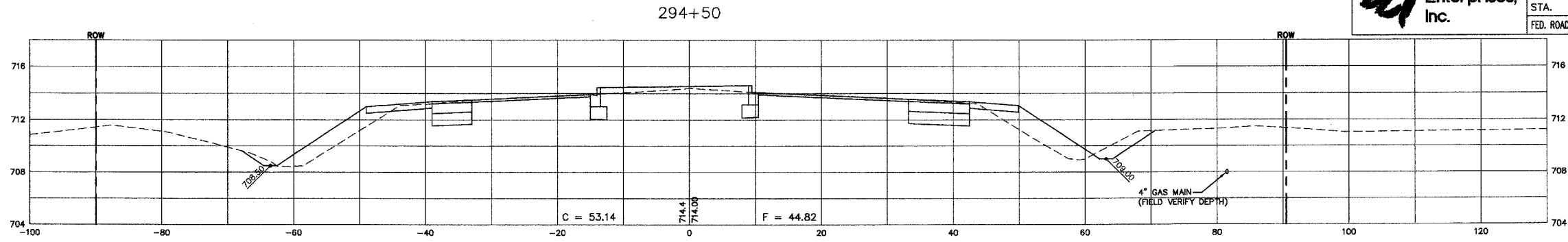
CHECKED BY: WBR



F.A. RTE.	SECTION	COUNTY	TOTAL SHEETS	SHEET NO.
N/A	D6-00017-00-PV	KANE	232	221
STA.		TO STA.		
FED. ROAD DIST. NO.		ILLINOIS FED. AID PROJECT		

PLAN	SURVEYED	BY	DATE
NOTE BOOK NO.	PLOTTED		
	CHECKED		
	BY		
	DATE		
	BY		
	DATE		

PROFILE	SURVEYED	BY	DATE
NOTE BOOK NO.	PLOTTED		
	CHECKED		
	BY		
	DATE		
	BY		
	DATE		



SCALE:
 HORZ. 1" = 10'
 VERT. 1" = 5'

REVISIONS	
NAME	DATE

ILLINOIS DEPARTMENT OF TRANSPORTATION

ILLINOIS ROUTE 47 CROSS SECTIONS

SCALE:
 DATE: 02/07/08

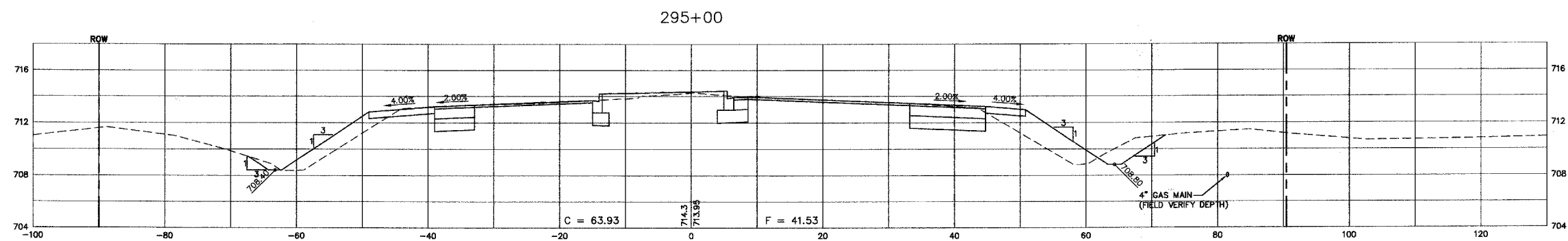
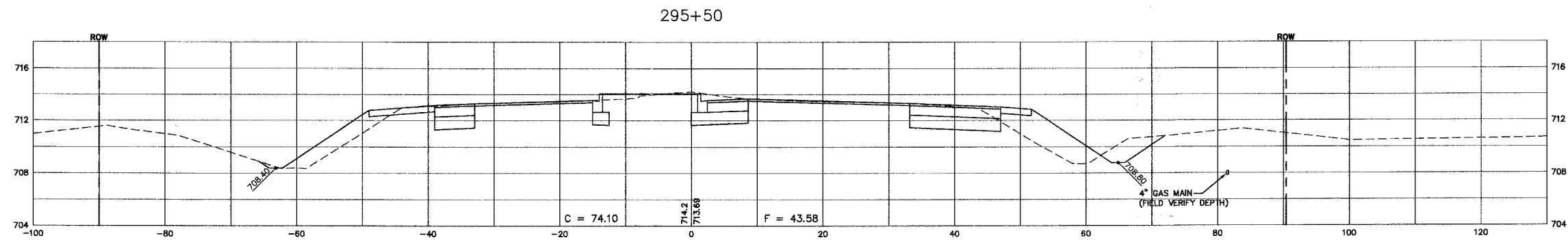
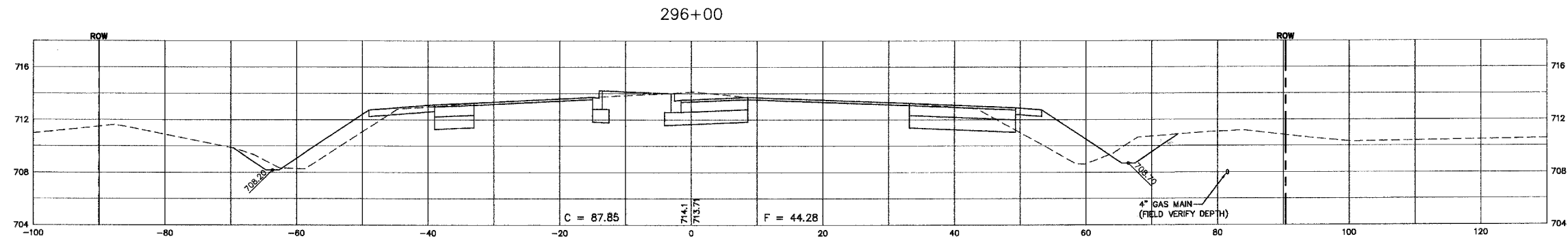
DRAWN BY: KKP
 CHECKED BY: WBR



F.A. RTE.	SECTION	COUNTY	TOTAL SHEETS	SHEET NO.
N/A	06-00017-00-PV	KANE	232	222
STA.		TO STA.		
FED. ROAD DIST. NO. _ ILLINOIS		FED. AID PROJECT		

PLAN	SURVEYED	DATE
NOTE BOOK NO.	PLOTTED	BY
	REVISIONS CHECKED	
	NOTED	
	BY	
	DATE	

PROFILE	SURVEYED	DATE
NOTE BOOK NO.	PLOTTED	BY
	REVISIONS CHECKED	
	NOTED	
	BY	
	DATE	



SCALE:
 HORZ. 1" = 10'
 VERT. 1" = 5'

REVISIONS	
NAME	DATE

ILLINOIS DEPARTMENT OF TRANSPORTATION

ILLINOIS ROUTE 47 CROSS SECTIONS

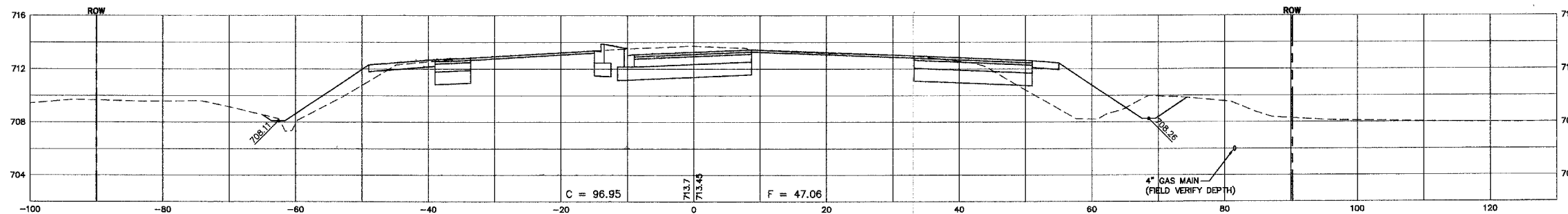
SCALE: DATE: 02/07/08

DRAWN BY: KKP
 CHECKED BY: WBR

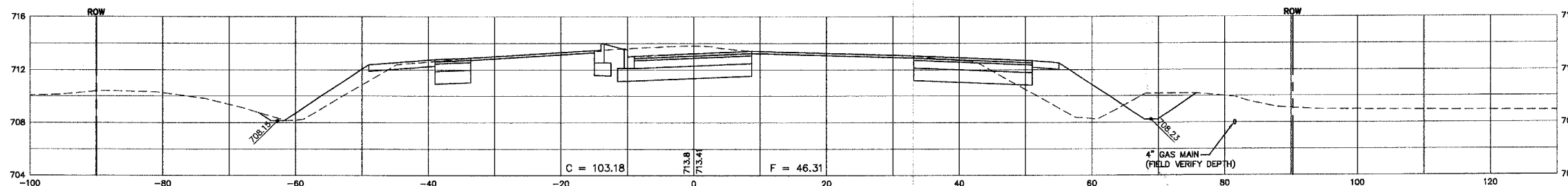


F.A. RTE.	SECTION	COUNTY	TOTAL SHEETS	SHEET NO.
N/A	D6-00017-00-PV	KANE	232	223
STA.	TO STA.			
FED. ROAD DIST. NO.	ILLINOIS	FED. AID PROJECT		

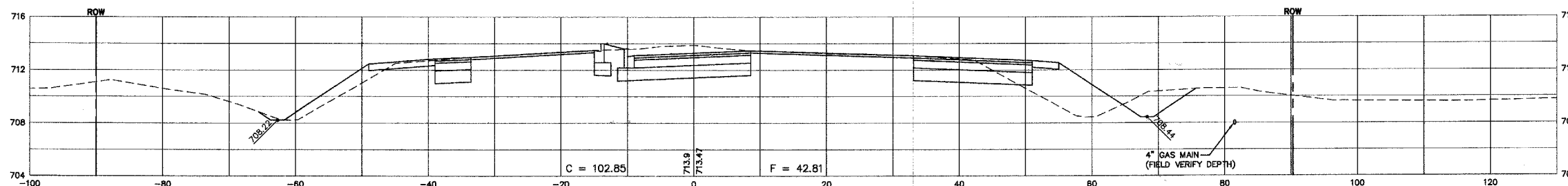
298+00



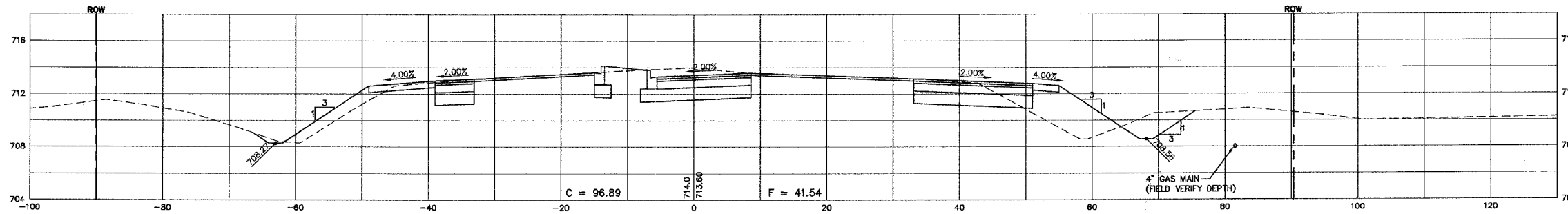
297+50



297+00



296+50



SCALE:
HORZ. 1" = 10'
VERT. 1" = 5'

PLAN	SURVEYED	BY	DATE
	PLOTTED		
	NOTE BOOK		
	NO.		
	CAO FILE NAME		

PROFILE	SURVEYED	BY	DATE
	PLOTTED		
	NOTE BOOK		
	NO.		
	STRUCTURE NOTATION GRID		

REVISIONS	
NAME	DATE

ILLINOIS DEPARTMENT OF TRANSPORTATION

ILLINOIS ROUTE 47 CROSS SECTIONS

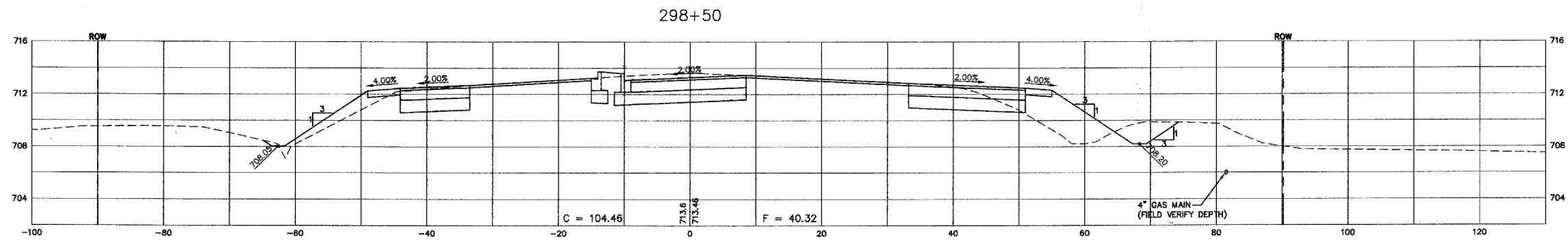
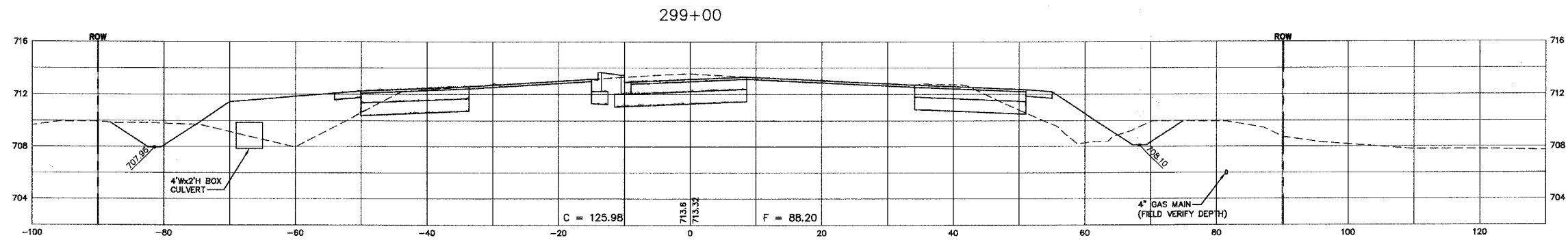
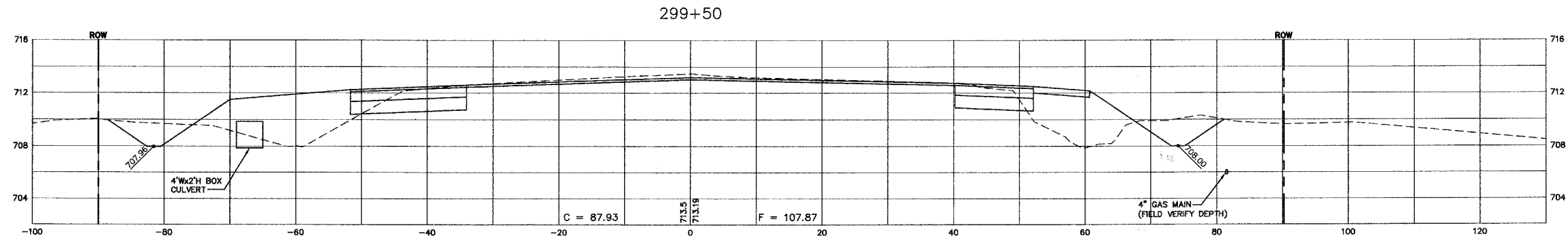
SCALE: DRAWN BY: KKP
DATE: 02/07/08 CHECKED BY: WBR



F.A. RTE.	SECTION	COUNTY	TOTAL SHEETS	SHEET NO.
N/A	D6-00017-00-PV	KANE	232	224
STA.		TO STA.		
FED. ROAD DIST. NO.		ILLINOIS	FED. AID PROJECT	

PLAN	SURVEYED	BY	DATE
	PLOTTED		
	NOTE BOOK		
	NO.		
	CADD FILE NAME		

PROFILE	SURVEYED	BY	DATE
	PLOTTED		
	NOTE BOOK		
	NO.		
	STRUCTURE NOTATION		



SCALE:
 HORZ. 1" = 10'
 VERT. 1" = 5'

REVISIONS	
NAME	DATE

ILLINOIS DEPARTMENT OF TRANSPORTATION

ILLINOIS ROUTE 47 CROSS SECTIONS

SCALE: DATE: 02/07/08

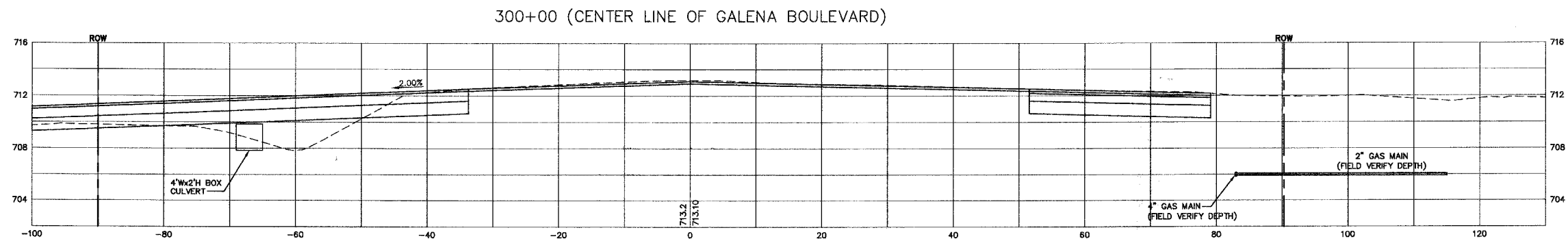
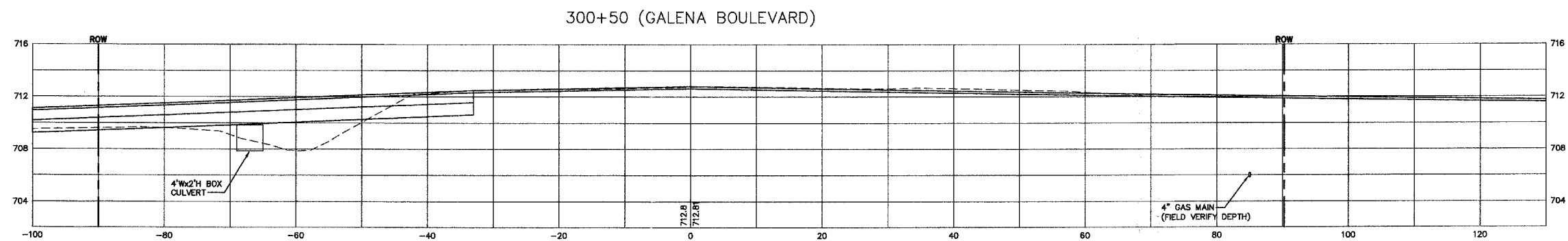
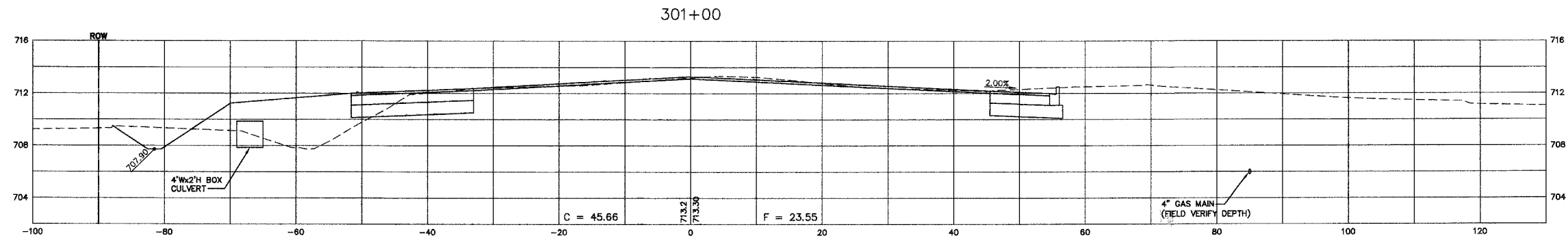
DRAWN BY: KKP
 CHECKED BY: WBR



F.A. RTE.	SECTION	COUNTY	TOTAL SHEETS	SHEET NO.
N/A	06-00017-00-PV	KANE	232	225
STA.		TO STA.		
FED. ROAD DIST. NO. _		ILLINOIS	FED. AID PROJECT	

PLAN	SURVEYED	BY	DATE
	PLOTTED		
	CHECKED		
	BY		
	NO.		

PROFILE	SURVEYED	BY	DATE
	PLOTTED		
	CHECKED		
	BY		
	NO.		



SCALE:
 HORZ. 1" = 10'
 VERT. 1" = 5'

REVISIONS	
NAME	DATE

ILLINOIS DEPARTMENT OF TRANSPORTATION

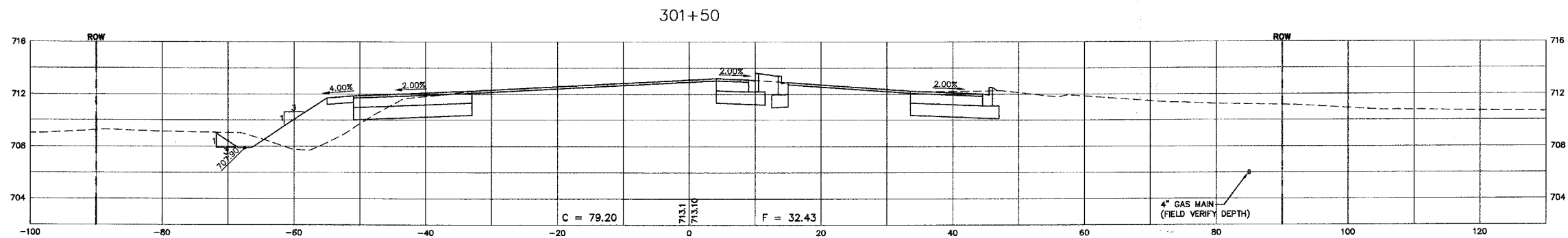
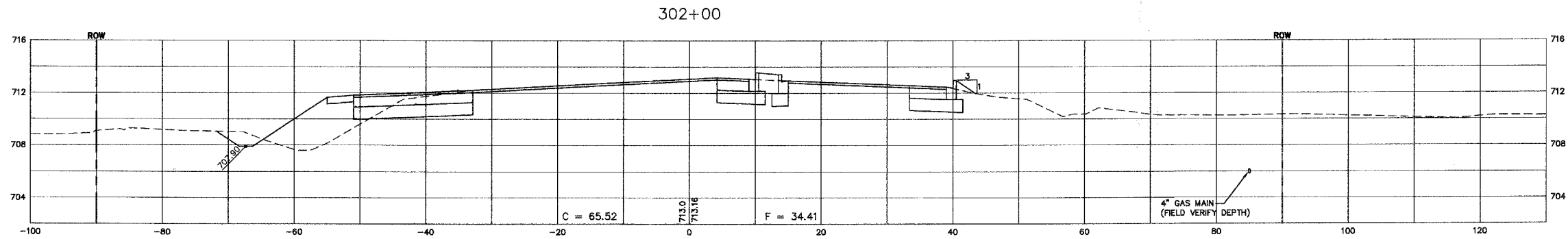
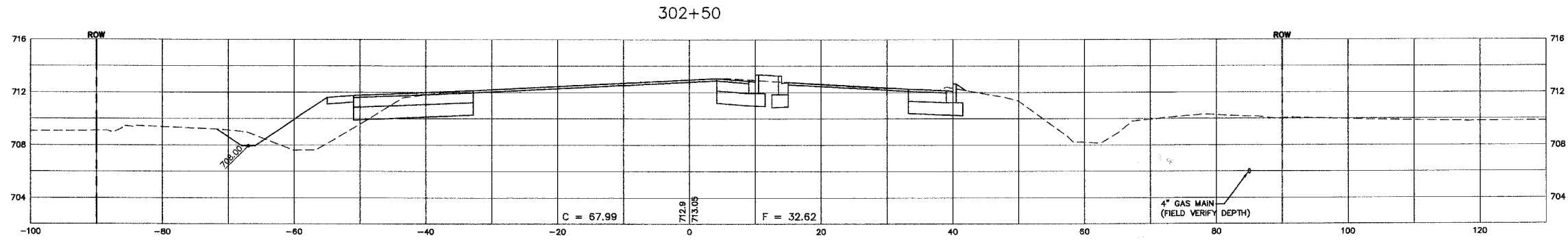
ILLINOIS ROUTE 47 CROSS SECTIONS

SCALE: _____ DRAWN BY: KKP
 DATE: 02/07/08 CHECKED BY: WBR



F.A. RTE.	SECTION	COUNTY	TOTAL SHEETS	SHEET NO.
N/A	06-00017-00-PV	KANE	232	226
STA.		TO STA.		
FED. ROAD DIST. NO. _ ILLINOIS		FED. AID PROJECT		

PLAN	SURVEYED	BY	DATE
NOTE BOOK NO.	PLOTTED		
	CHECKED		
	BY		
	DATE		
	CADD FILE NAME		



SCALE:
 HORZ. 1" = 10'
 VERT. 1" = 5'

PROFILE	SURVEYED	BY	DATE
NOTE BOOK NO.	PLOTTED		
	CHECKED		
	BY		
	DATE		
	STRUCTURE NOTATIONS OTHER		

REVISIONS	
NAME	DATE

ILLINOIS DEPARTMENT OF TRANSPORTATION

ILLINOIS ROUTE 47 CROSS SECTIONS

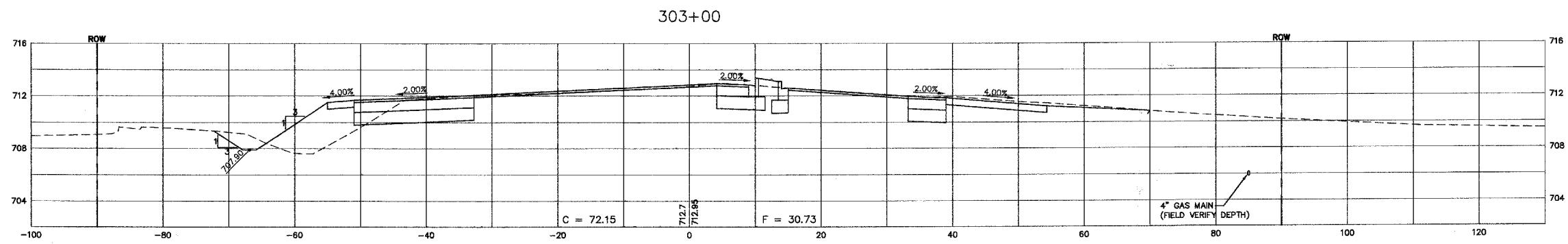
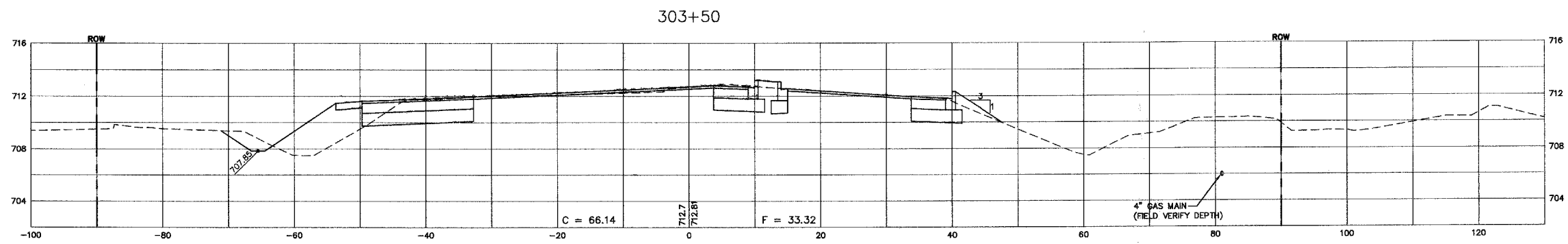
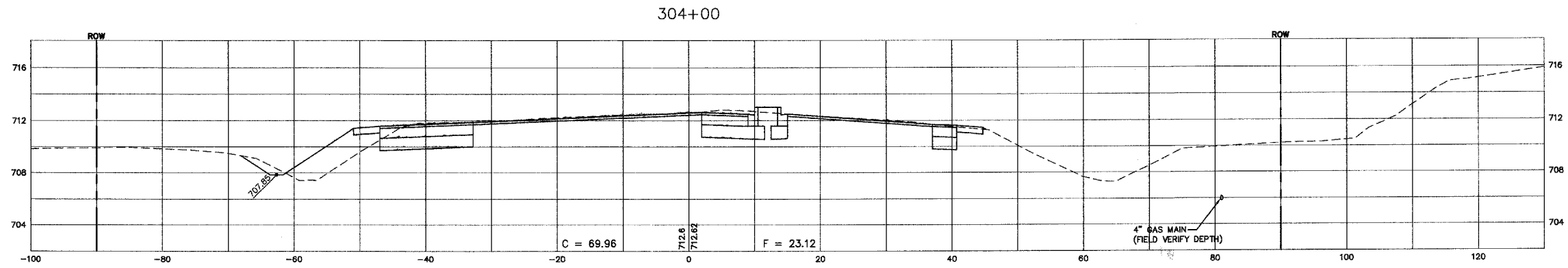
SCALE: DATE: 02/07/08

DRAWN BY: KKP
 CHECKED BY: WBR



F.A. RTE.	SECTION	COUNTY	TOTAL SHEETS	SHEET NO.
N/A	06-00017-00-PV	KANE	232	227
STA.		TO STA.		
FED. ROAD DIST. NO.		ILLINOIS	FED. AID PROJECT	

PLAN	SURVEYED	DATE
	PLOTTED	
	NOTED	
	BY	
	NO. OF	
	FILE	
	NAME	



PROFILE	SURVEYED	DATE
	PLOTTED	
	NOTED	
	BY	
	NO. OF	
	FILE	
	NAME	

SCALE:
 HORZ. 1" = 10'
 VERT. 1" = 5'

REVISIONS	
NAME	DATE

ILLINOIS DEPARTMENT OF TRANSPORTATION

ILLINOIS ROUTE 47 CROSS SECTIONS

SCALE: DATE: 02/07/08

DRAWN BY: KKP
 CHECKED BY: WBR

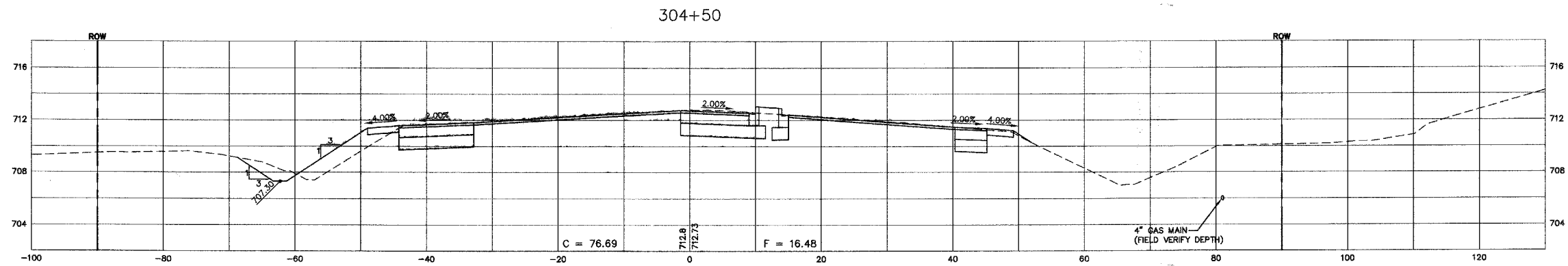
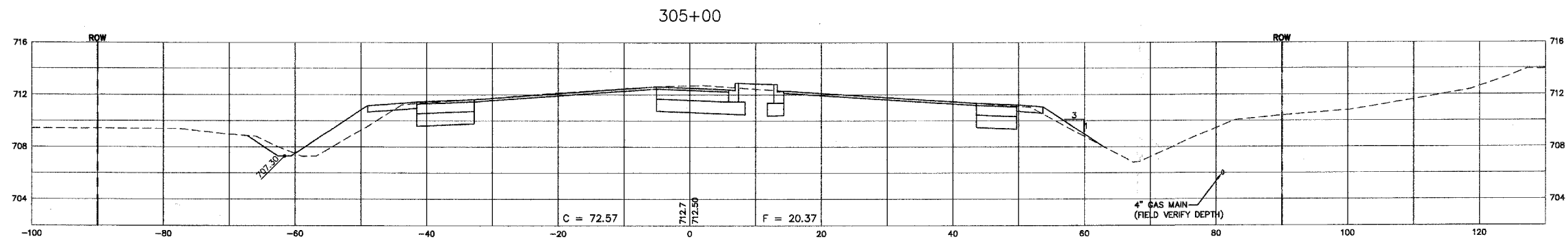
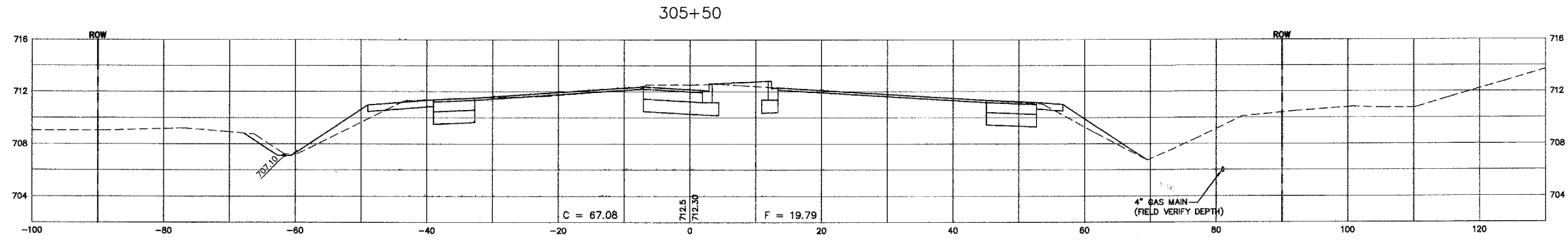


F.A. RTE.	SECTION	COUNTY	TOTAL SHEETS	SHEET NO.
N/A	06-00017-00-PV	KANE	232	228
STA.		TO STA.		
FED. ROAD DIST. NO. - ILLINOIS		FED. AID PROJECT		

PLAN	SURVEYED	DATE
	PLOTTED	
	CHECKED	
	BY	
	NO. OF W.A. CHECKED	
	CADD FILE NAME	

PROFILE	SURVEYED	DATE
	PLOTTED	
	CHECKED	
	BY	
	NO. OF W.A. CHECKED	
	STRUCTURE NOTATIONS CHYD	

Plotted: May 28, 2008 @ 6:41 AM By: Kris Pung -- Tab: 228 SECTION (22x34)



REVISIONS	
NAME	DATE

ILLINOIS DEPARTMENT OF TRANSPORTATION

ILLINOIS ROUTE 47 CROSS SECTIONS

SCALE: _____

DATE: 02/07/08

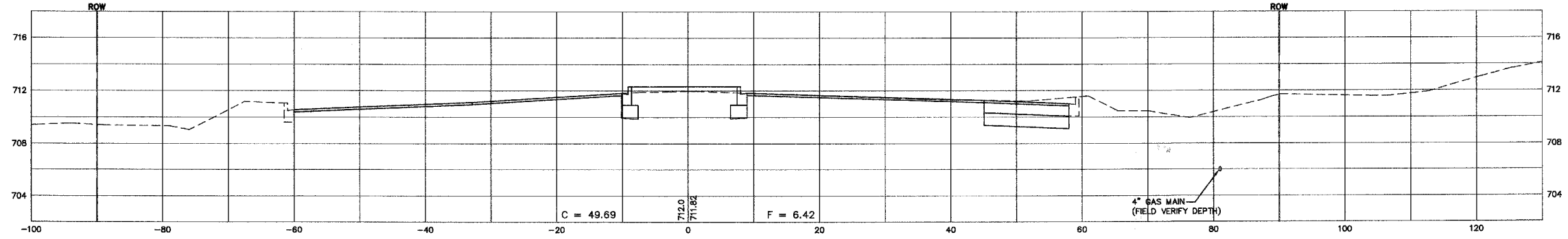
DRAWN BY: KKP
CHECKED BY: WBR

P:\2008\05\28\228\228_SECTION_22x34.dwg

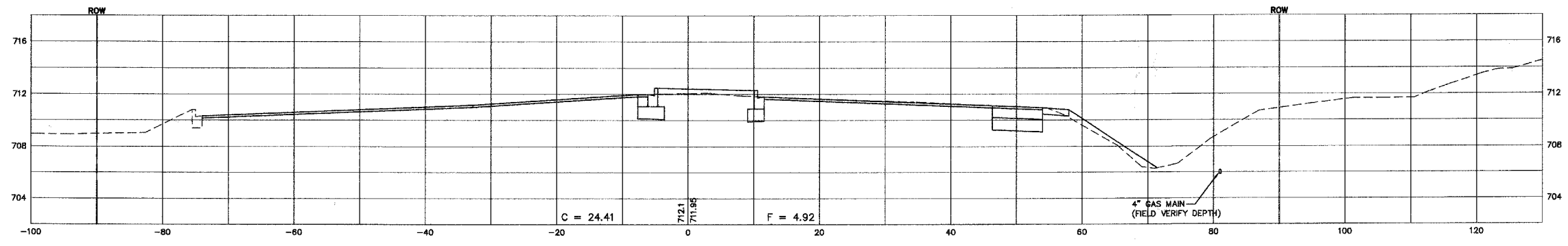


F.A. RTE.	SECTION	COUNTY	TOTAL SHEETS	SHEET NO.
N/A	06-00017-00-PV	KANE	232	229
STA.		TO STA.		
FED. ROAD DIST. NO.		ILLINOIS FED. AID PROJECT		

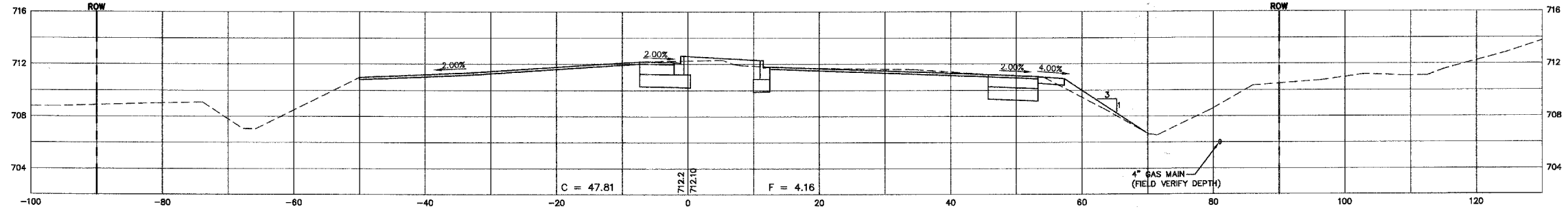
307+00



306+50



306+00



SCALE:
 HORZ. 1" = 10'
 VERT. 1" = 5'

PLAN	REVISIONS	DATE
NO.	PLANNED	
	ALIGNED	
	CHECKED	
	BY	
	NAME	

PROFILE	REVISIONS	DATE
NO.	PLANNED	
	GRADES	
	CHECKED	
	BY	
	NAME	

REVISIONS	
NAME	DATE

ILLINOIS DEPARTMENT OF TRANSPORTATION

ILLINOIS ROUTE 47 CROSS SECTIONS

SCALE: DATE: 02/07/08

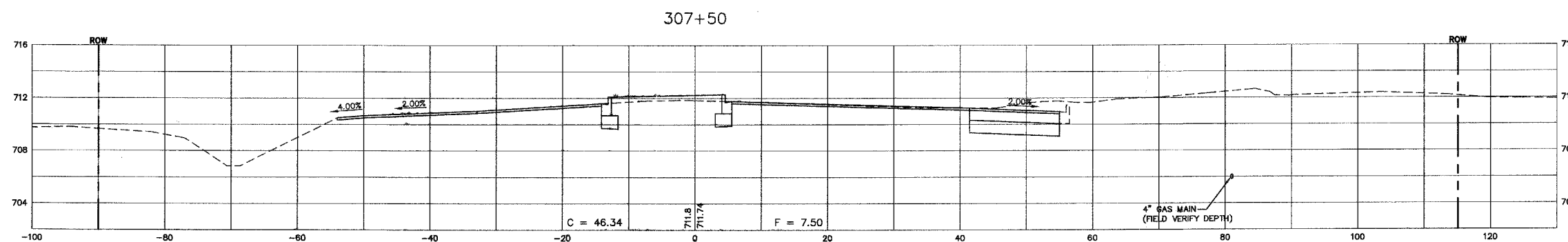
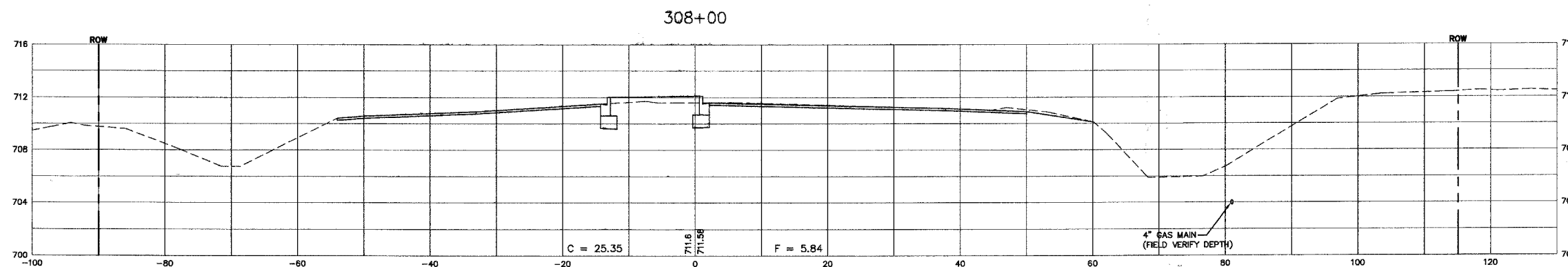
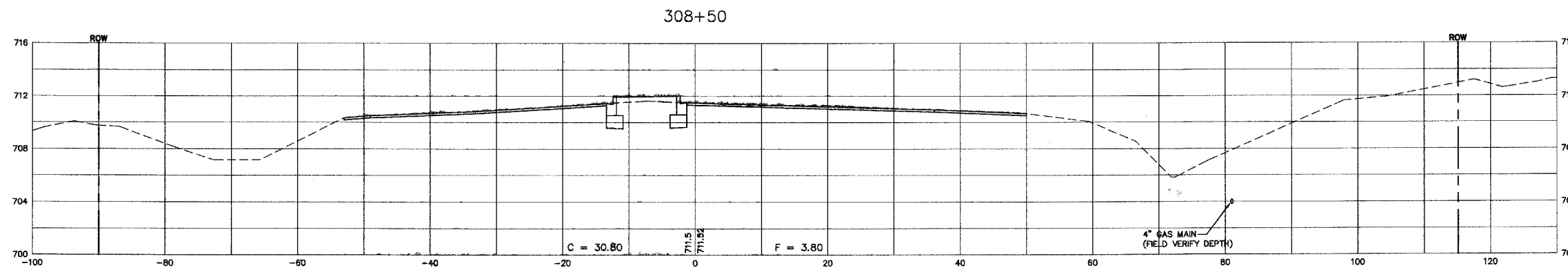
DRAWN BY: KKP
CHECKED BY: WBR



F.A. RTE.	SECTION	COUNTY	TOTAL SHEETS	SHEET NO.
N/A	06-00017-00-PV	KANE	232	230
STA.		TO STA.		
FED. ROAD DIST. NO. - ILLINOIS		FED. AID PROJECT		

PLAN	SURVEYED	DATE
	BY	
	PLOTTED	
	NOTED	
	RT. OF WAY CHECKED	
	CADD FILE NAME	
	NO.	

PROFILE	SURVEYED	DATE
	BY	
	PLOTTED	
	NOTED	
	STRUCTURE NOTATIONS CHECKED	
	NO.	



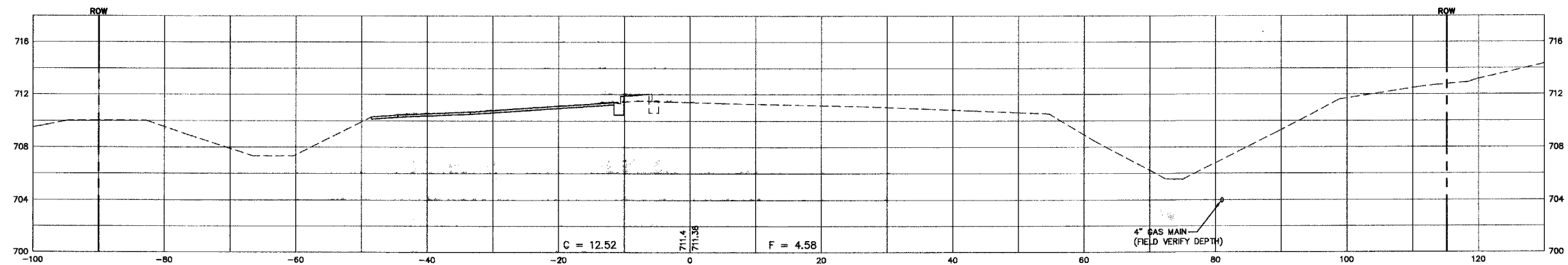
SCALE:
 HORZ. 1" = 10'
 VERT. 1" = 5'

REVISIONS		ILLINOIS DEPARTMENT OF TRANSPORTATION	
NAME	DATE	<h2>ILLINOIS ROUTE 47 CROSS SECTIONS</h2>	
SCALE:		DRAWN BY: KKP	
DATE: 02/07/08		CHECKED BY: WBR	

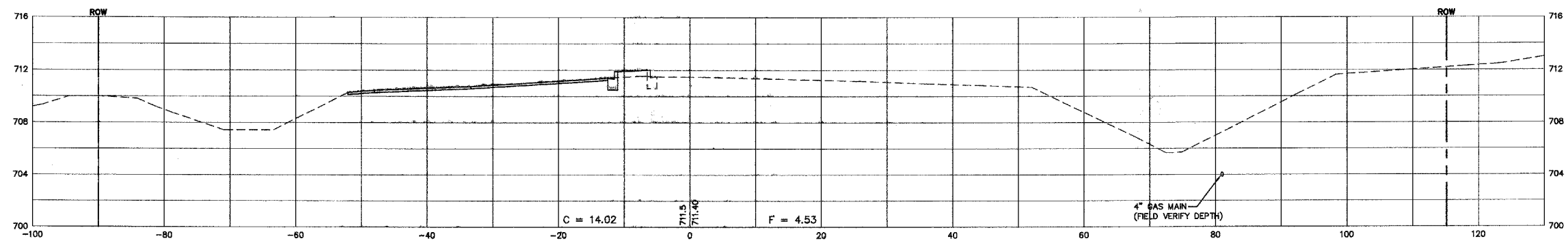


F.A. RTE.	SECTION	COUNTY	TOTAL SHEETS	SHEET NO.
N/A	06-00017-00-PV	KANE	232	231
STA.		TO STA.		
FED. ROAD DIST. NO.		ILLINOIS FED. AID PROJECT		

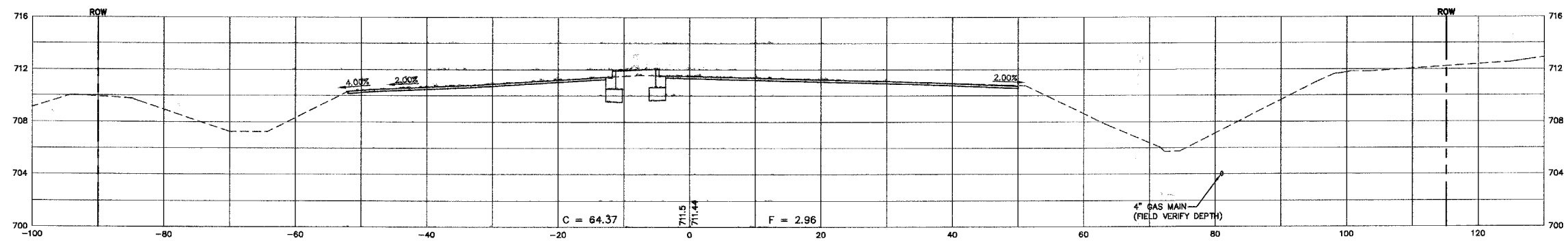
309+50



309+00



308+85



SCALE:
 HORZ. 1" = 10'
 VERT. 1" = 5'

PLAN

SURVEYED	BY	DATE
PLANNED		
CHECKED		
NOTE BOOK NO.		
FILE NAME		

PROFILE

SURVEYED	BY	DATE
PLANNED		
CHECKED		
NOTE BOOK NO.		
STRUCTURE		
NOTATION		

REVISIONS	
NAME	DATE

ILLINOIS DEPARTMENT OF TRANSPORTATION

ILLINOIS ROUTE 47 CROSS SECTIONS

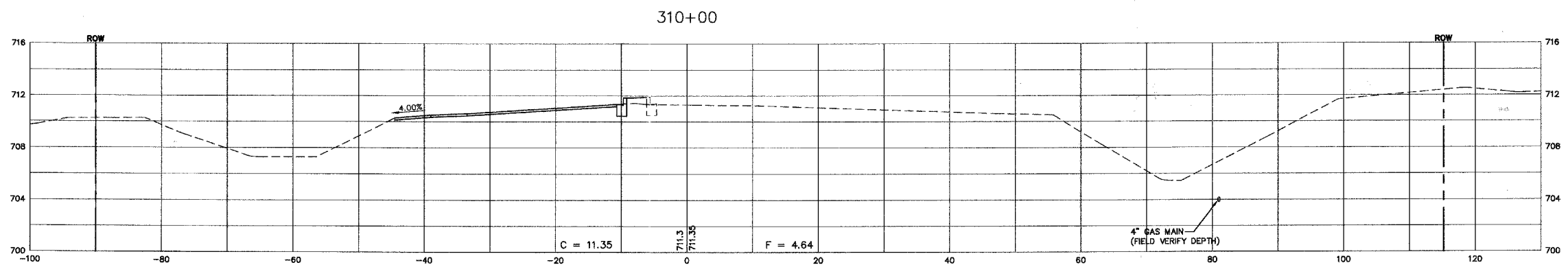
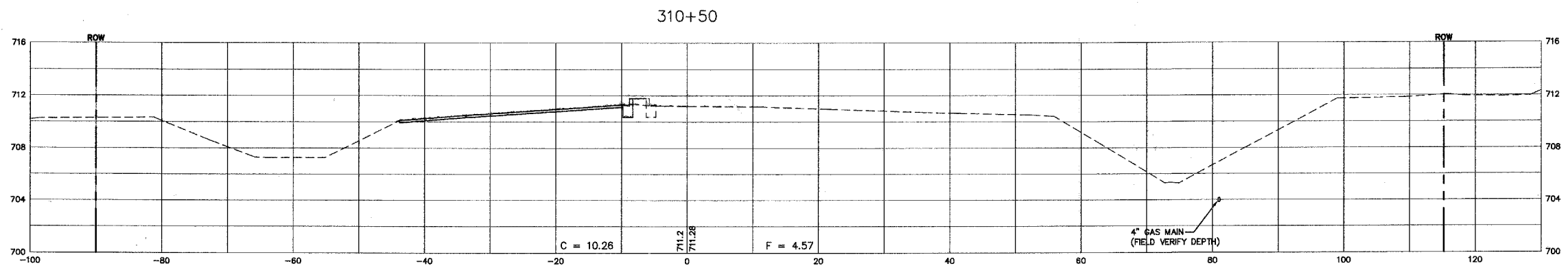
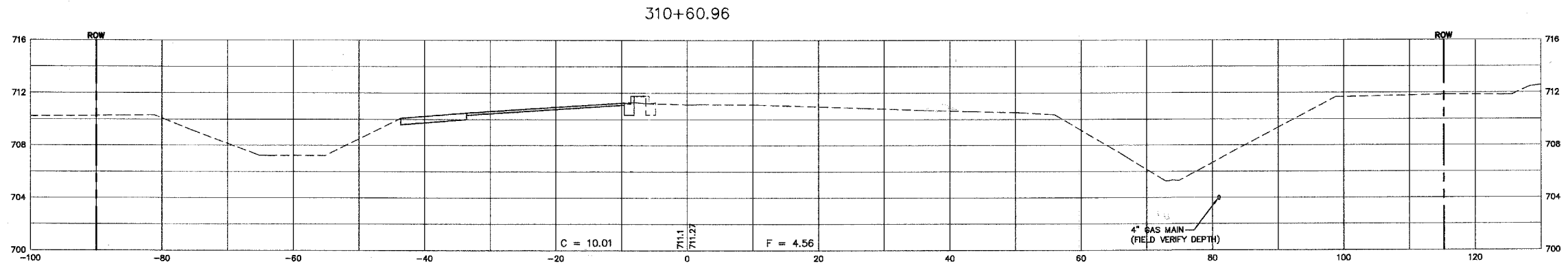
SCALE: _____ DRAWN BY: KKP
 DATE: 02/07/08 CHECKED BY: WBR



F.A. RTE.	SECTION	COUNTY	TOTAL SHEETS	SHEET NO.
N/A	06-00017-00-PV	KANE	232	232
STA.		TO STA.		
FED. ROAD DIST. NO.		ILLINOIS	FED. AID PROJECT	

PLAN	REVISIONS	DATE
NO.	NO.	
	BY	
	DATE	
	BY	
	DATE	
	BY	
	DATE	

PROFILE	REVISIONS	DATE
NO.	NO.	
	BY	
	DATE	
	BY	
	DATE	
	BY	
	DATE	



SCALE:
 HORZ. 1" = 10'
 VERT. 1" = 5'

REVISIONS	
NAME	DATE

ILLINOIS DEPARTMENT OF TRANSPORTATION

ILLINOIS ROUTE 47 CROSS SECTIONS

SCALE: _____ DRAWN BY: KKP
 DATE: 02/07/08 CHECKED BY: WBR