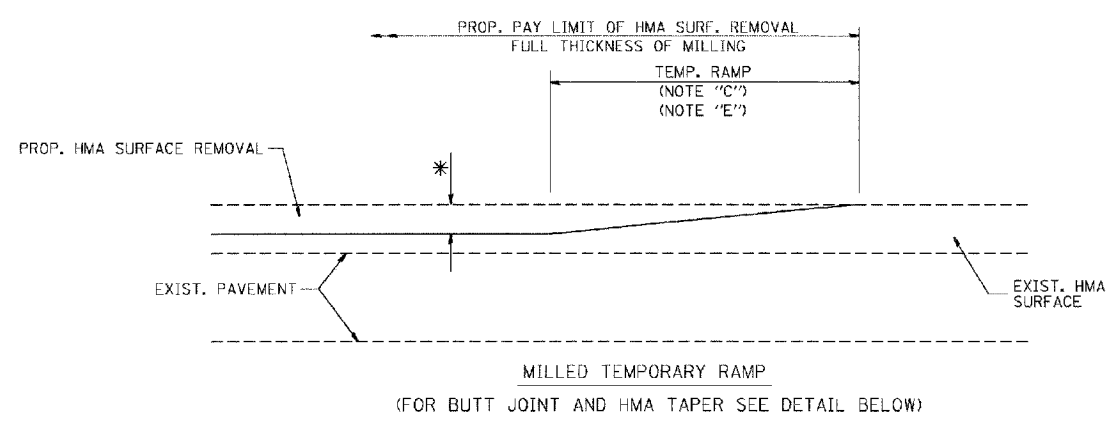
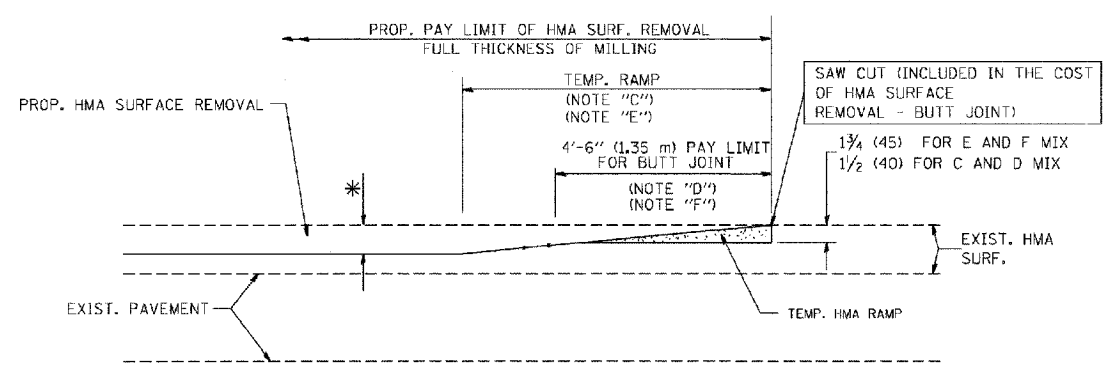


|                     |                |                 |           |           |
|---------------------|----------------|-----------------|-----------|-----------|
| F. A. R. NO.        | SECTION        | COUNTY          | SHEET NO. | SHEET NO. |
| 2859                | 08-00222-00-RS | COOK            | 018       | 015       |
| STA.                |                | TO STA.         |           |           |
| FED. ROAD DIST. NO. | BLANKS         | FED. RD PROJECT |           |           |

CONTRACT #63045

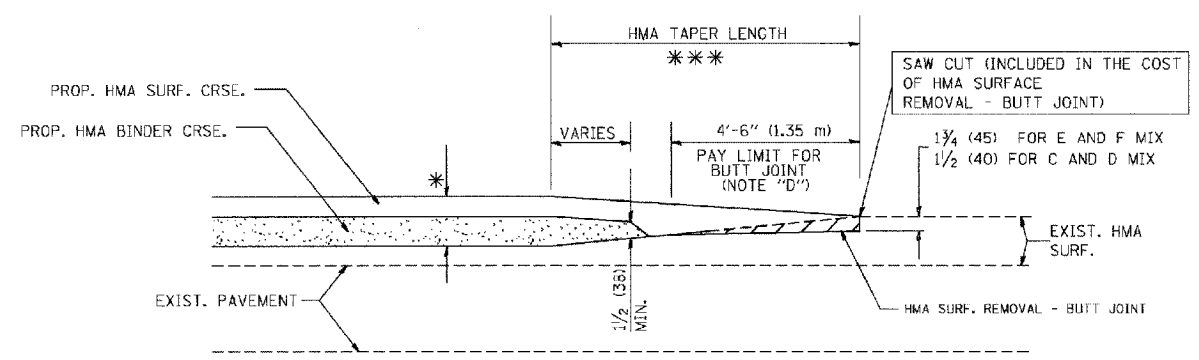


OPTION 1

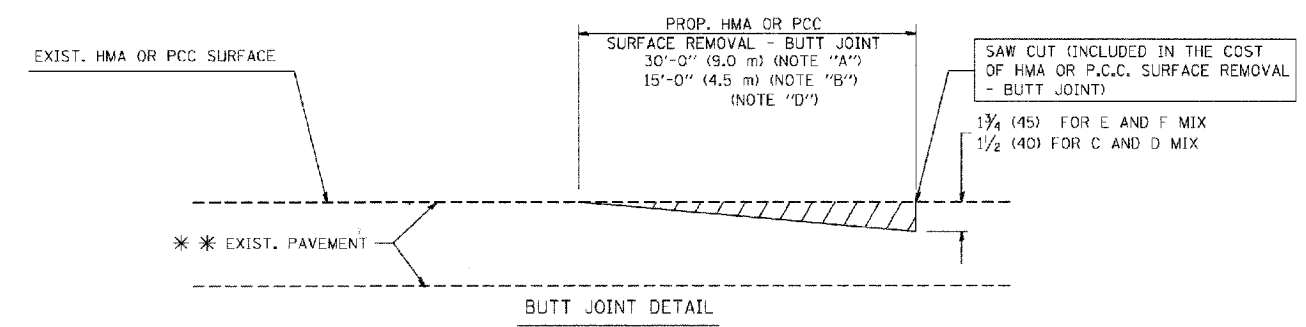


HMA CONSTRUCTED TEMPORARY RAMP  
(FOR BUTT JOINT AND HMA TAPER SEE DETAIL BELOW)

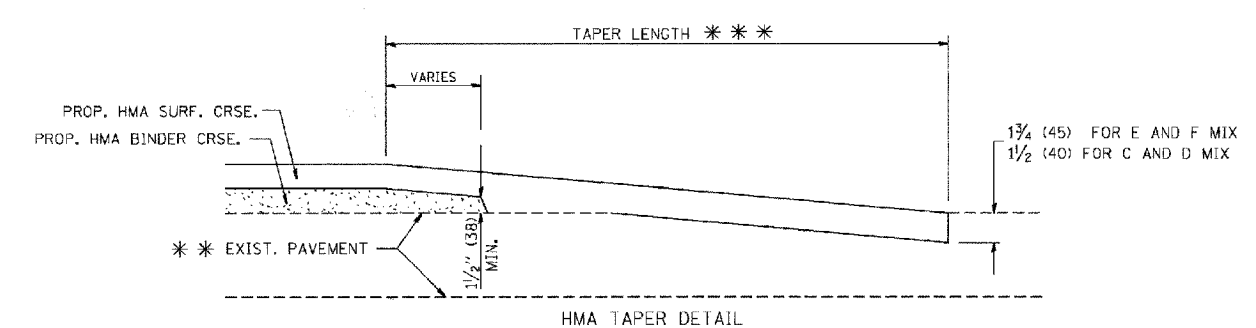
OPTION 2  
TYPICAL TEMPORARY RAMP



BUTT JOINT AND HMA TAPER  
TYPICAL BUTT JOINT AND HMA TAPER  
FOR MILLING AND RESURFACING



BUTT JOINT DETAIL



HMA TAPER DETAIL

TYPICAL BUTT JOINT AND HMA TAPER  
FOR RESURFACING ONLY

\*\*\* PC CONCRETE, HMA OR HMA RESURFACED PAVEMENT.

NOTES

- A: MAINLINE ROADWAYS AND MAJOR SIDE ROADS.
  - B: MINOR SIDE ROADS.
  - C: THE TEMP. RAMP SHALL BE CONSTRUCTED IMMEDIATELY UPON REMOVAL OF THE EXISTING HMA SURFACE.
  - D: THE BUTT JOINT SHALL BE CONSTRUCTED IMMEDIATELY PRIOR TO PLACING THE PROPOSED HMA COURSES.
  - E: TAPER THE TEMP. RAMP AT A RATE OF 3'-0" (900 mm) PER 1 INCH (25 mm) OF MILLING THICKNESS.
  - F: INSTALLATION AND REMOVAL OF THE 4'-6" (1.35 m) TEMP. RAMP IS INCLUDED IN COST OF HMA SURFACE REMOVAL - BUTT JOINT
  - G: SEE ARTICLE 406.08 AND 406.14 OF THE STANDARD SPECIFICATIONS FOR "HMA AND/OR PCC SURFACE REMOVAL, BUTT JOINT".
- \* SEE TYPICAL SECTIONS FOR MILLING THICKNESS.
- \*\*\* 20'-0" (6.1 m) PER 1 (25) RESURFACING (NOTE "A")  
10'-0" (3.0 m) PER 1 (25) RESURFACING (NOTE "B")

ALL DIMENSIONS ARE IN INCHES (MILLIMETERS) UNLESS OTHERWISE SHOWN.

BASIS OF PAYMENT:

THE BUTT JOINT WILL BE PAID FOR AT THE CONTRACT UNIT PRICE PER SQUARE YARD (SQUARE METER) FOR "HOT-MIX ASPHALT SURFACE REMOVAL - BUTT JOINT" OR FOR "PORTLAND CEMENT CONCRETE SURFACE REMOVAL - BUTT JOINT".

| REVISIONS  |          |
|------------|----------|
| NAME       | DATE     |
| M. DE YONG | 6-13-90  |
| M. DE YONG | 7-3-90   |
| M. DE YONG | 3-27-92  |
| R. SHAH    | 09/09/94 |
| R. SHAH    | 10/25/94 |
| A. ABBAS   | 03/21/97 |
| M. GOMEZ   | 04/06/03 |
| R. BORO    | 01/01/07 |

ILLINOIS DEPARTMENT OF TRANSPORTATION

BUTT JOINT AND HMA TAPER DETAILS

VERT. SCALE: NONE  
HORIZ. SCALE: 1" = 10'  
PLOT DATE: 10/31/2006

DRAWN BY  
CHECKED BY