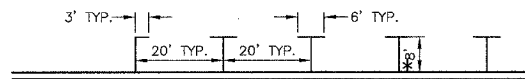
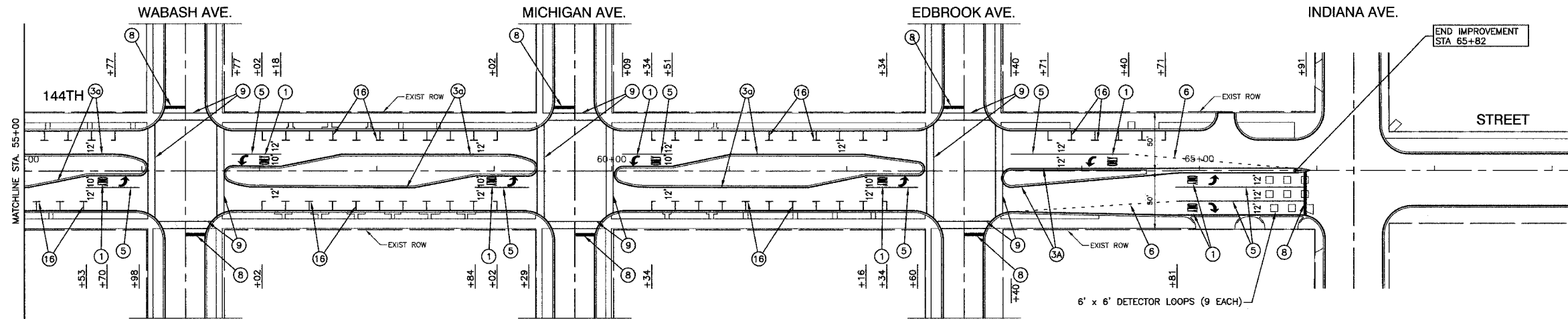


SECTION 4, TOWNSHIP 36, RANGE 14  
SECTION 5, TOWNSHIP 36, RANGE 14

F. A. S. NO.	SECTION	COUNTY	TOTAL SHEETS	SHEET NO.
1601	08-00115-00-RS	COOK	19	09
STA. 55+00		TO STA. 65+82		
FED. ROAD DIST. NO. 1	ALINOS	FED. AID PROJECT		

CONTRACT #63046



**PARKING STALL DETAIL**

\* PARKING STALLS FROM ATLANTIC AVENUE EAST TO LASALLE STREET ARE 10' IN WIDTH

**NOTE:**

ALL LEGEND ITEMS ARE THERMOPLASTIC PAVEMENT MARKING OF THE WIDTH AND TYPE SPECIFIED

**PAVEMENT MARKING LEGEND**

- |  |  |
|--|--|
| ① WHITE LETTERS & SYMBOLS                      | ⑪ 12" WHITE LINE (45° ANGLE, 20' C/C)                          |
| ② DOUBLE 4" YELLOW CENTERLINE (11" C/C)        | ⑫ 4" WHITE SKIP - DASH LINE (10' LINE - 30' SPACE)             |
| ③ DOUBLE 4" YELLOW MEDIAN OUTLINE (11" C/C)    | ⑬ 4" YELLOW SKIP - DASH LINE (10' LINE - 30' SPACE)            |
| ④ 4" YELLOW MEDIAN OUTLINE                     | ⑭ 12" WHITE CROSSWALK, 6' LENGTH, 3' C-C                       |
| ⑤ 4" WHITE EDGE LINE                           | ⑮ 8" WHITE GORE LINE   |
| ⑥ 6" WHITE LANE LINE                           | ⑯ 4" WHITE PARKING STALL LINE                                  |
| ⑦ 6" WHITE SKIP-DASH LINE (2' LINE - 6' SPACE) | ▲ ONE-WAY AMBER MARKER<br>40' C/C UNLESS OTHERWISE INDICATED   |
| ⑧ 12" YELLOW DIAGONAL LINE (15' C/C)           | ▲ ONE-WAY CRYSTAL MARKER<br>80' C/C UNLESS OTHERWISE INDICATED |
| ⑨ 24" WHITE STOP BAR                           | ◆ TWO-WAY AMBER MARKER<br>40' C/C UNLESS OTHERWISE INDICATED   |
| ⑩ 6" WHITE CROSSWALK (6' C/C)                  | ▼ TRAFFIC SIGN   |
| ⑩ 6" WHITE CROSSWALK (10' C/C)                 |  |

REVISIONS	
NAME	DATE

**ILLINOIS DEPARTMENT OF TRANSPORTATION**

**144TH STREET  
STREET RESURFACING  
PAVEMENT MARKINGS**

SCALE: VERT. NA  
HORIZ. 1"=50'

DATE 05/07/08

DRAWN BY LTL  
CHECKED BY JMN/JK