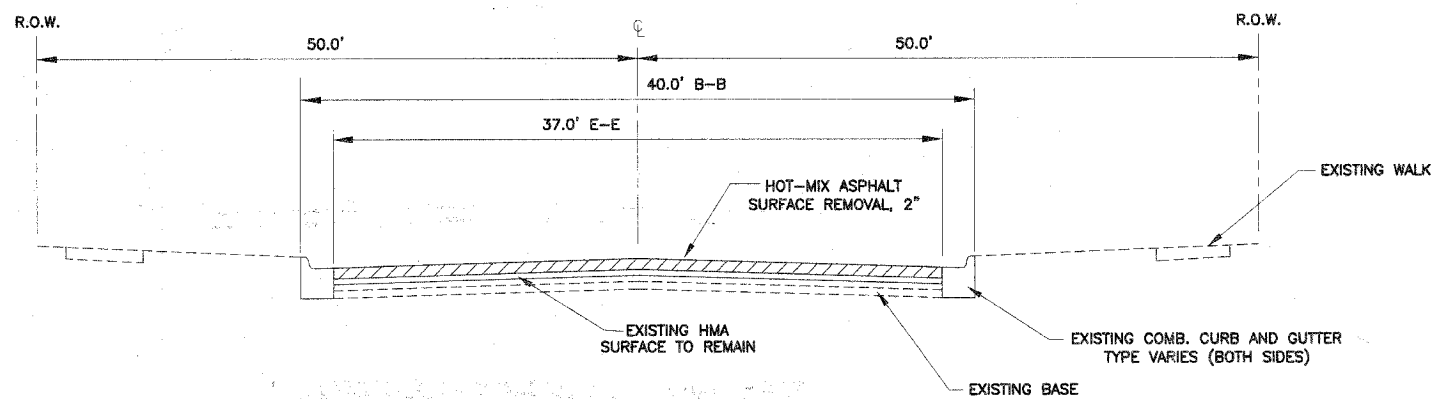
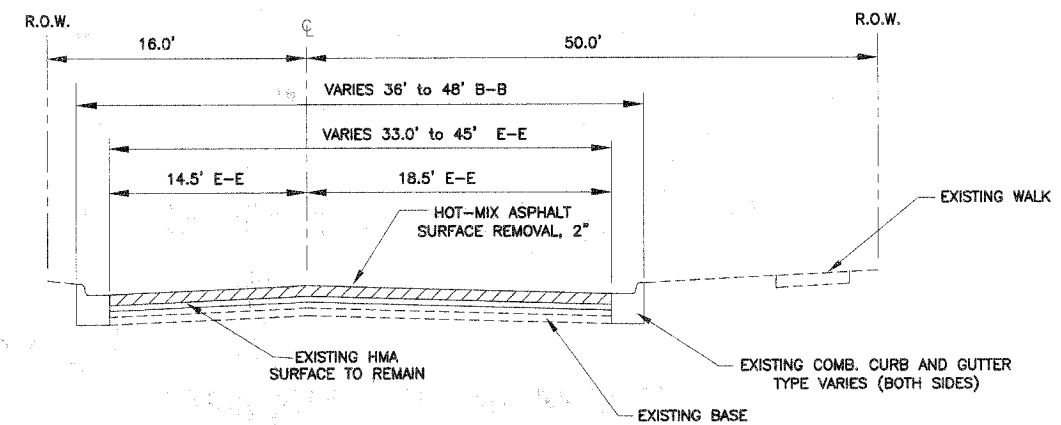


FAU ROUTE NO.	SECTION	COUNTY	TOTAL SHEETS	SHEET NO.
1624	08-00122-00-RS	COOK	10	3

CONTRACT NO.: 63051



**EXISTING TYPICAL SECTION**  
STA. 00+51 to STA. 32+00



**EXISTING TYPICAL SECTION**  
STA. 32+00 to STA. 45+82



**VILLAGE OF HOMEWOOD**  
ENGINEERING DIVISION

DESIGNED BY:	D.J.A.
DRAWN BY:	D.J.A.
CHECKED BY:	M.M.

REVISIONS			
NO.	DATE	BY	DESCRIPTION
1	-	-	-
2	-	-	-

VILLAGE OF HOMEWOOD 187th STREET L.A.P.P. PROJECT	
187th STREET (FAU ROUTE 1624) EXISTING TYPICAL SECTIONS	
DATE: 01-15-08	SCALE: NOT TO SCALE

SHEET  
**3**  
OF 12