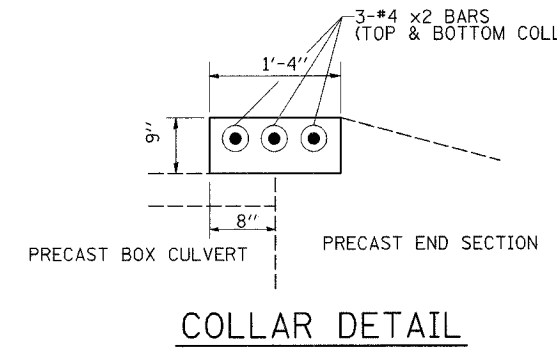
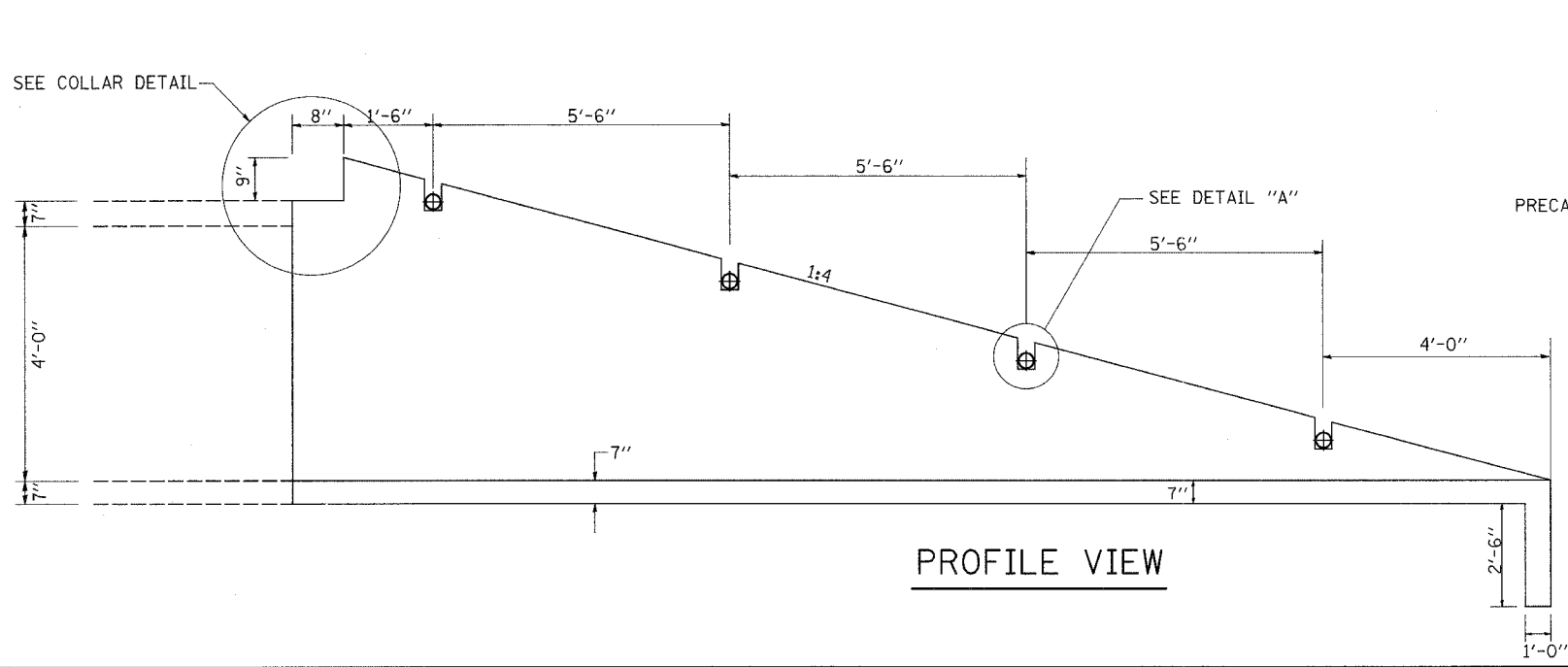
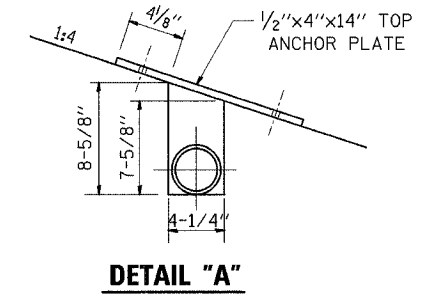
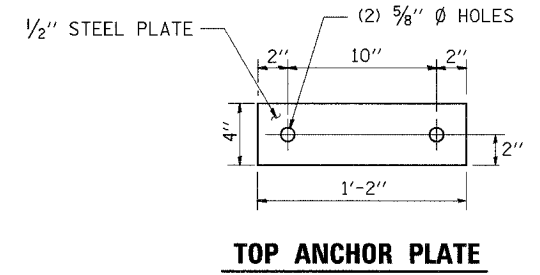
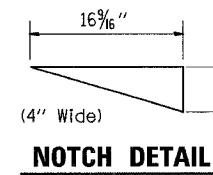
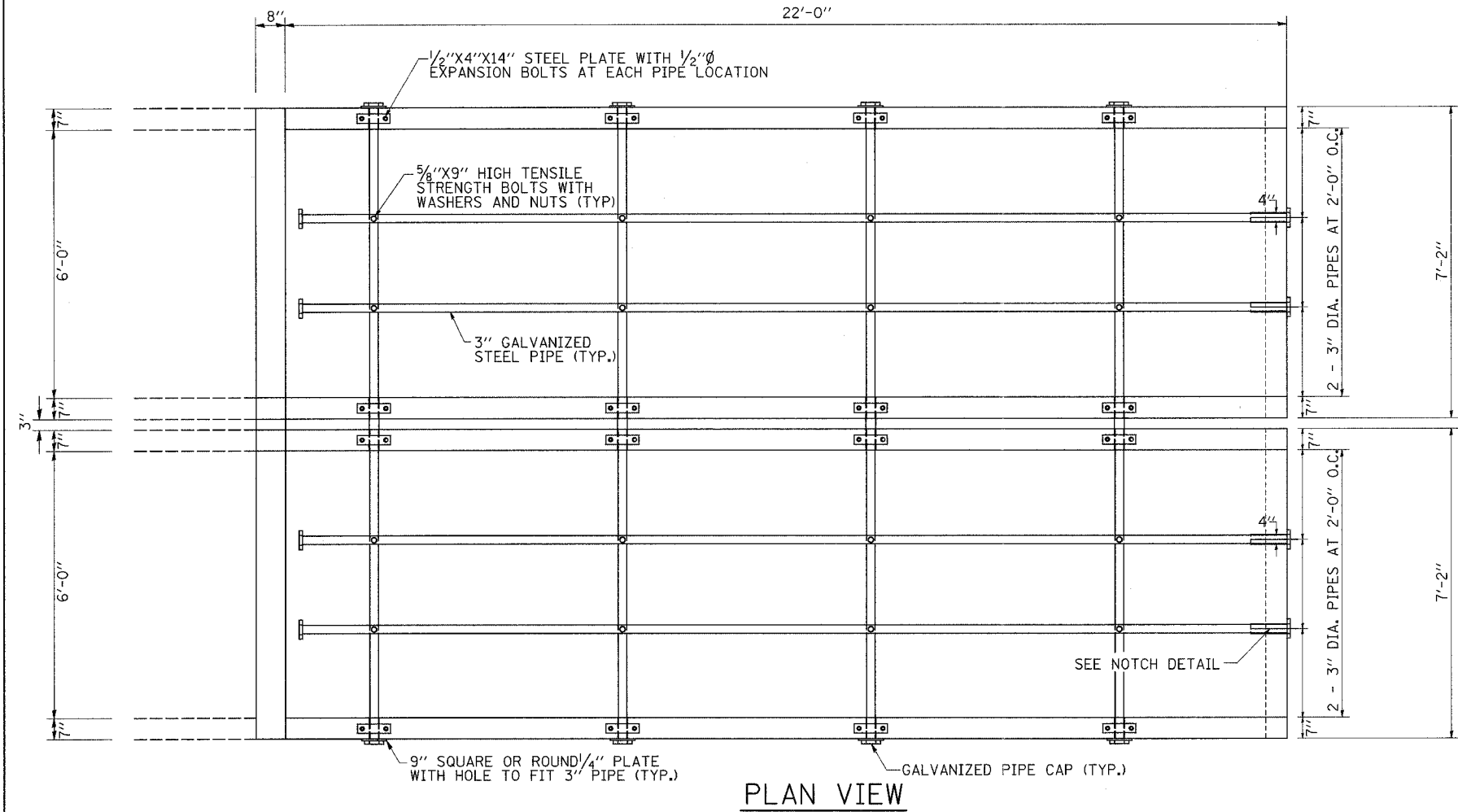


# BOX CULVERT END SECTION NO.1 STA. 28 + 64

CONTRACT NO. 64C72				
F.A.S. RTE.	SECTION	COUNTY	TOTAL SHEETS	SHEET NO.
1177	(110,111)	LEE	59	21
STA.		TO STA.		
FED. ROAD DIST. NO.		ILLINOIS FED. AID PROJECT		



### BILL OF MATERIALS

(For Information Only)

DESCRIPTION	UNIT	QTY.
3" Galvanized Steel Pipe	4e	14'-9"
3" Galv Pipe Caps	4e	22'-0"
3" Galv. Stl. Plate (9" Nominal)	EACH	16
1/4" Galv. Stl. Plate	EACH	8
1/2" x 4" x 14" Galv. Steel Plate	EACH	16
5/8" x 9" Galv. Steel Bolts	EACH	16
Expansion Bolts 1/2" Ø	EACH	32

### GENERAL NOTES:

- Slope flow line of the extension at the same rate as the flow line of the box.
- Bolts, Nuts, and Washers shall be in accordance with Article 1006.08 of the standard specifications and shall be galvanized.
- The contract unit price "Each" for Box Culvert End Section No. 1 shall be of precast construction and shall include the expansion bolts, galvanized pipes, class SI Concrete, Bolts, Nuts, Reinforcement, washers, and steel plates.
- The contractor has the option of using Cast-In-Place and must provide us with shop drawings for review.
- All labor and material required for the construction of the connection collar shall be included in the bid item "PRECAST CONCRETE BOX CULVERT 6'x4'".
- Steel pipes shall conform to A.S.T.M. A-53 (Type E or S) Grade B, Schedule 40, and shall be galvanized conforming to A.S.T.M. A-120. Contractor shall field verify pipe length.
- Steel Plates shall conform to AASHTO M-183 and shall be galvanized conforming to AASHTO M-111.
- SEE PLAN AND PROFILE SHEET FOR MORE INFORMATION  
SEE CROSS SECTION SHEET FOR MORE INFORMATION

PLOT DATE = Tue Feb 26 16:24:23 2008  
PLOT NAME = C:\projects\102423\102423.dgn  
PLOT SCALE = 500/800 / IN  
USER NAME = cshamba