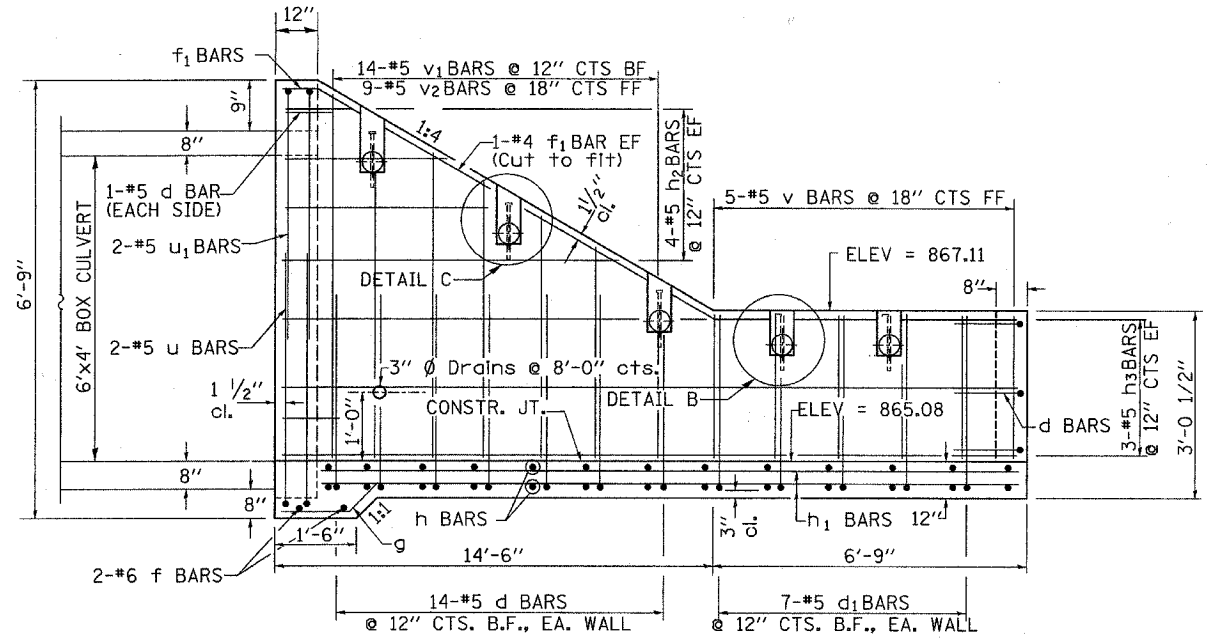


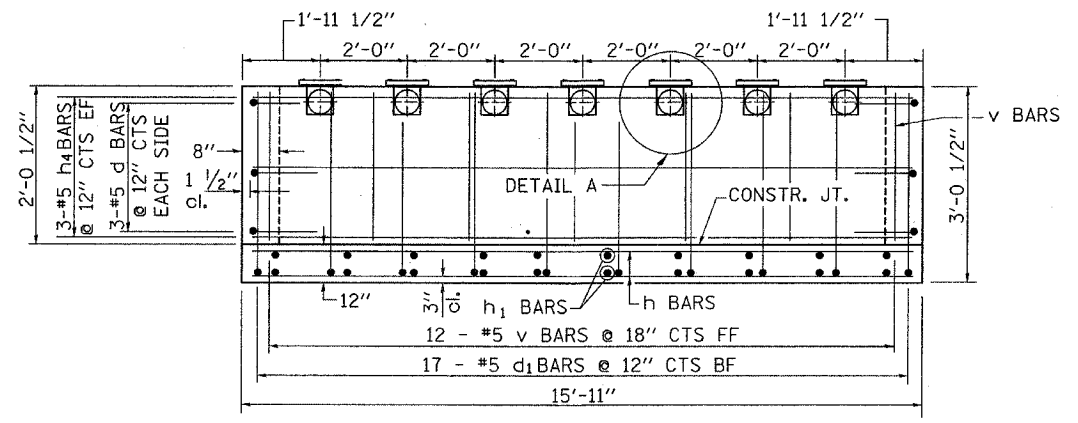
F.A.S. RTE.	SECTION	COUNTY	TOTAL SHEETS	SHEET NO.
1177	(110,111)T	LEE	59	22
STA.		TO STA.		
FED. ROAD DIST. NO.		ILLINOIS FED. AID PROJECT		

DROP BOX NO. 1

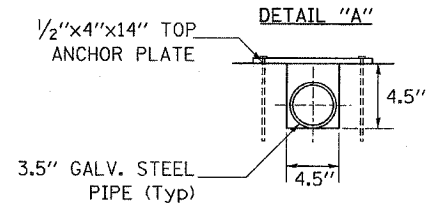
STA. 28 + 64



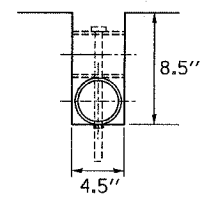
SIDEWALLS



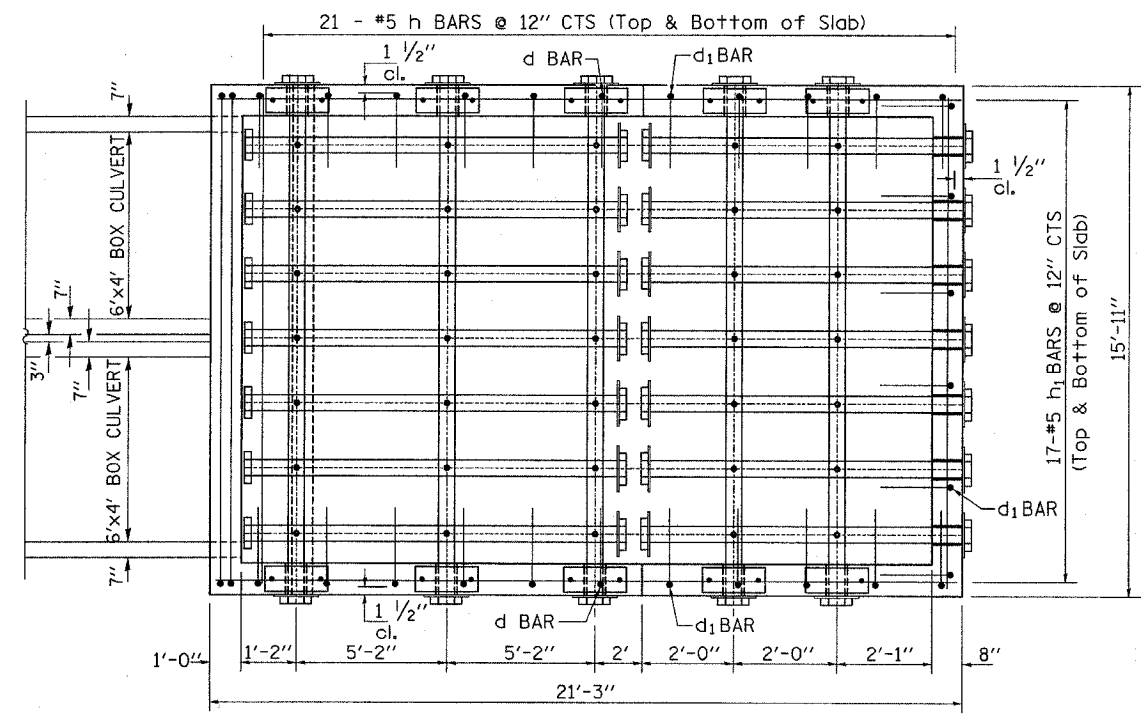
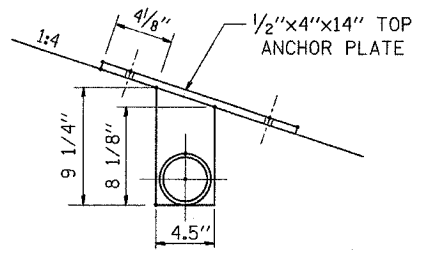
BACK WALL



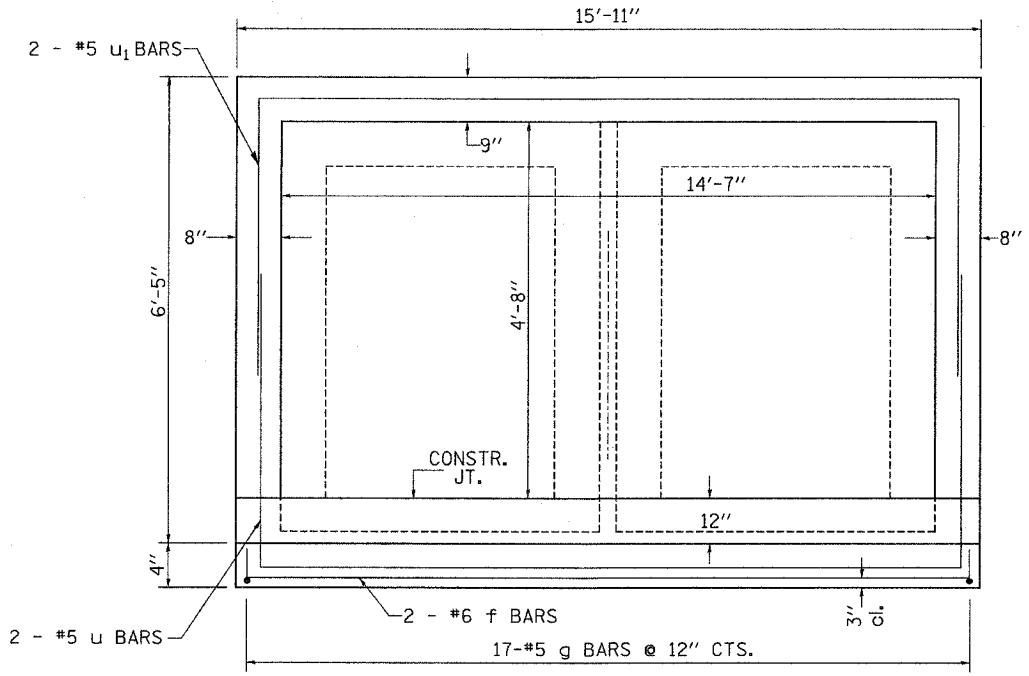
DETAIL "B"



DETAIL "C"



BOTTOM SLAB



HEADWALL

JAMES O. HAMILTON
081-008685
LICENSED
STRUCTURAL
ENGINEER
OF
ILLINOIS
James O. Hamilton
2/15/08
Expires 11/30/08

PLOT DATE = 2/14/2008
FILE NAME = V:\Bridges\224-15\080107\culv.dgn
PLOT SCALE = 4/16000 / IN.
USER NAME = bmb001