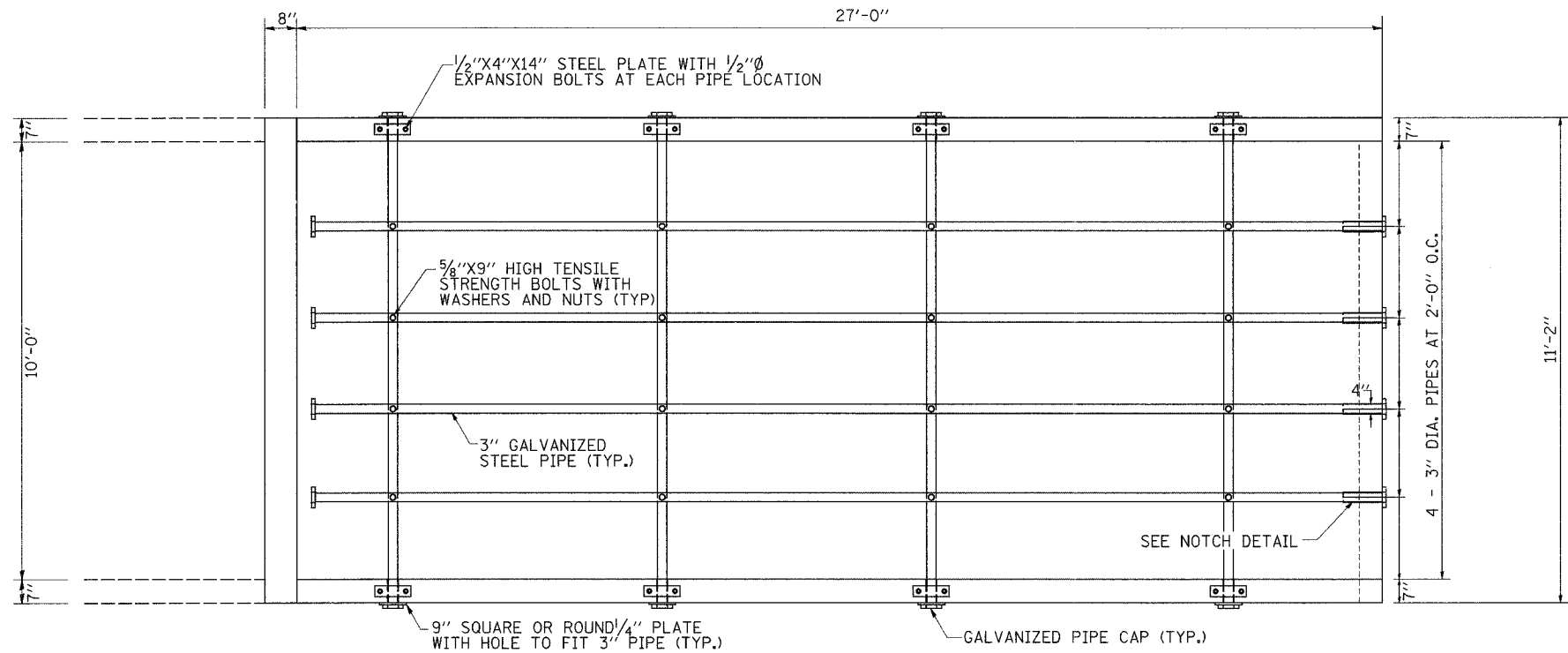
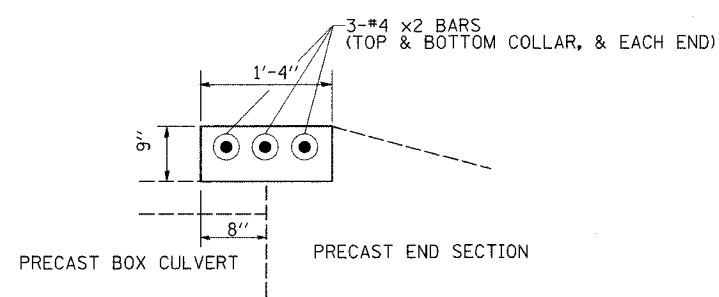
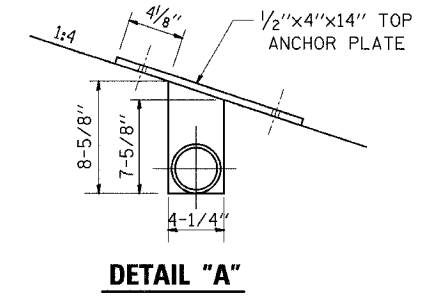
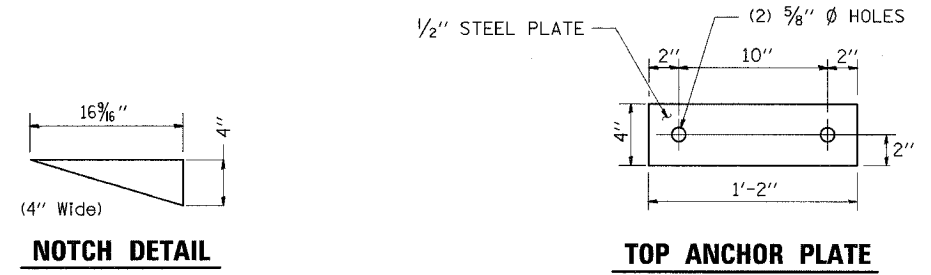


F.A.S. RTE.	SECTION	COUNTY	TOTAL SHEETS	SHEET NO.
1177	(110,111)T	LEE	59	24
STA.		TO STA.		
FED. ROAD DIST. NO.	ILLINOIS	FED. AID PROJECT		

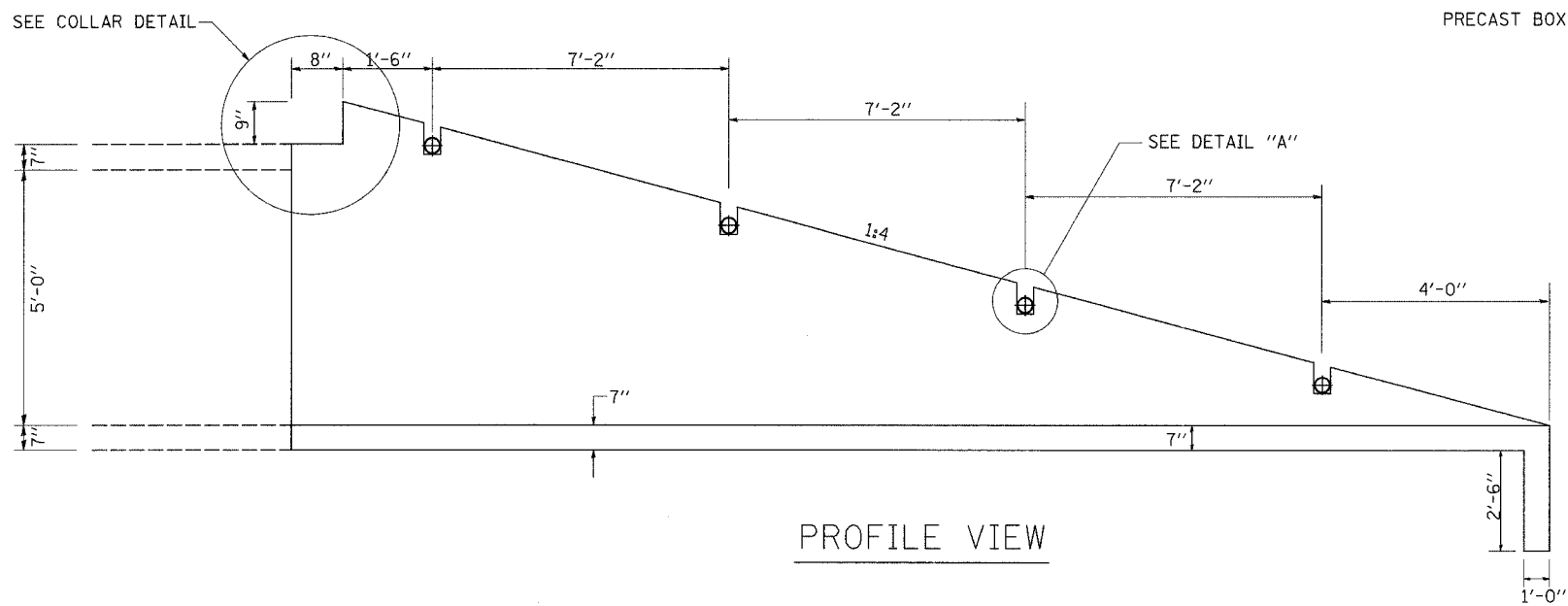
# BOX CULVERT END SECTION NO.2 STA. 261 + 52



PLAN VIEW



COLLAR DETAIL



**BILL OF MATERIALS**

(For Information Only)

DESCRIPTION	UNIT	QTY.
3" Galvanized Steel Pipe	4ø	11'-4"
	4ø	27'-0"
3" Galv Pipe Caps	EACH	16
1/4" Galv. Stl. Plate (9" Nominal)	EACH	8
1/2"x4"x14" Galv. Steel Plate	EACH	8
5/8"x9" Galv. Steel Bolts	EACH	16
Expansion Bolts 1/2"Ø	EACH	16

**GENERAL NOTES:**

- Slope flow line of the extension at the same rate as the flow line of the box.
- Bolts, Nuts, and Washers shall be in accordance with Article 1006.08 of the standard specifications and shall be galvanized.
- The contract unit price "Each" for Box Culvert End Section No. 2 shall be of precast construction and shall include the expansion bolts, galvanized pipes, class SI Concrete, Bolts, Nuts, Reinforcement, washers, and steel plates.
- The contractor has the option of using Cast-In-Place and must provide us with shop drawings for review.
- All labor and material required for the construction of the connection collar shall be included in the bid item "PRECAST CONCRETE BOX CULVERT 10'x5'".
- Steel pipes shall conform to A.S.T.M. A-53 (Type E or S) Grade B, Schedule 40, and shall be galvanized conforming to A.S.T.M. A-120. Contractor shall field verify pipe length.
- Steel Plates shall conform to AASHTO M-183 and shall be galvanized conforming to AASHTO M-111.
- SEE PLAN AND PROFILE SHEET FOR MORE INFORMATION  
SEE CROSS SECTION SHEET FOR MORE INFORMATION

PLOT DATE = Tue Feb 26 10:52:05 2008  
 FILE NAME = S:\Projects\2007\1177\110111\110111.dgn  
 PLOT SCALE = 50.0000 / 1" = 100'-0"  
 USER NAME = cshmanby