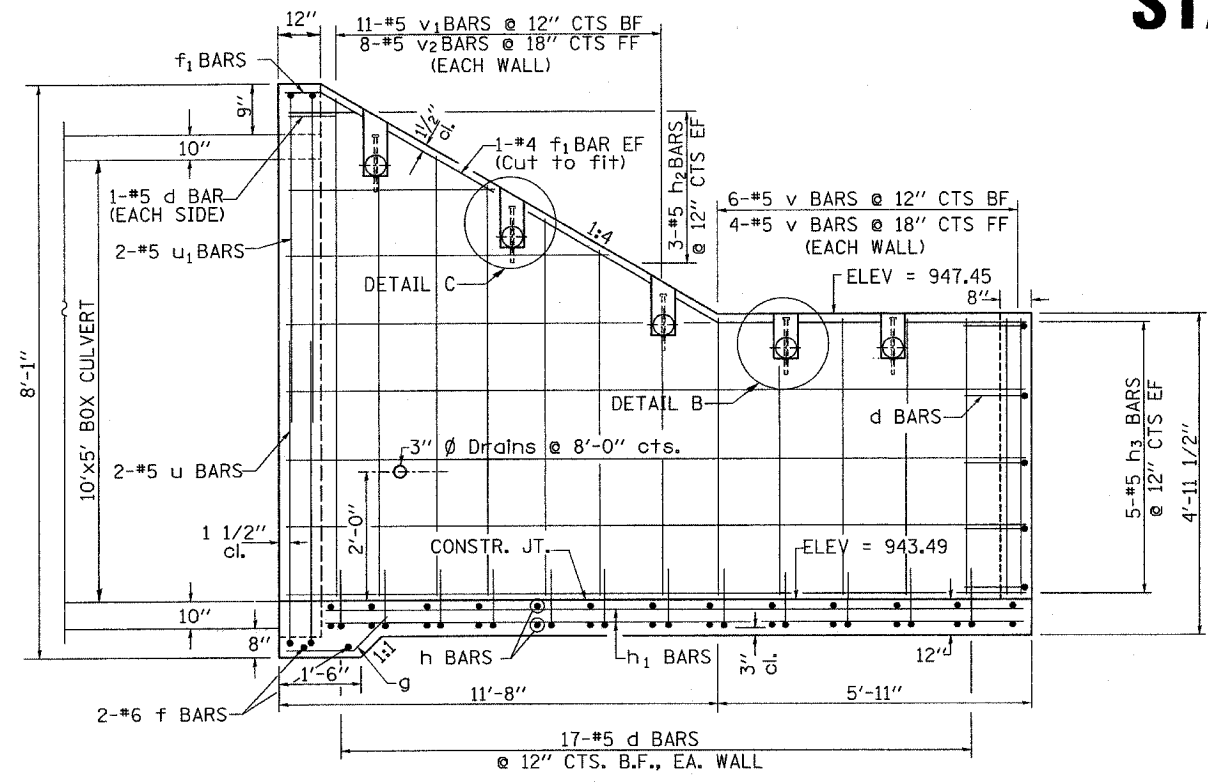


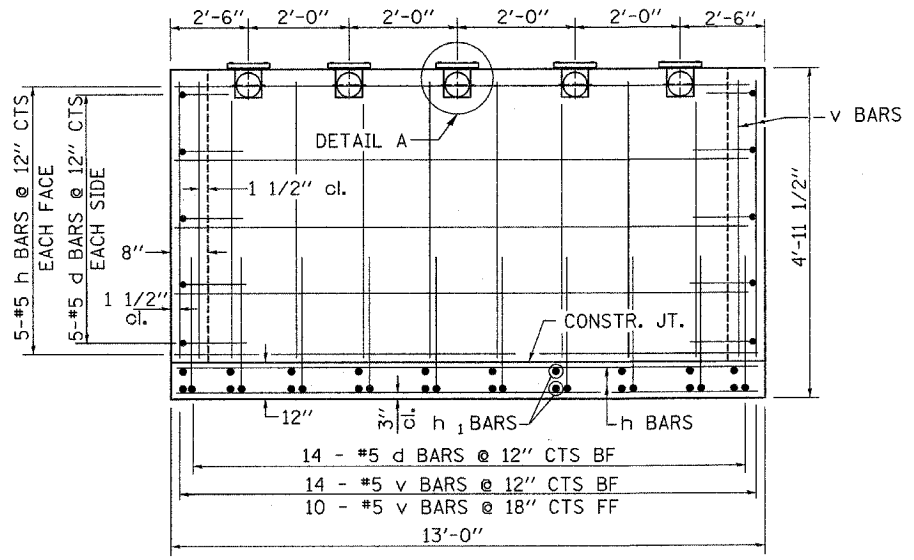
F.A.S. RTE.	SECTION	COUNTY	TOTAL SHEETS	SHEET NO.
1177	(110,111)T	LEE	59	25
STA.		TO STA.		
FED. ROAD DIST. NO.		ILLINOIS FED. AID PROJECT		

DROP BOX NO. 2

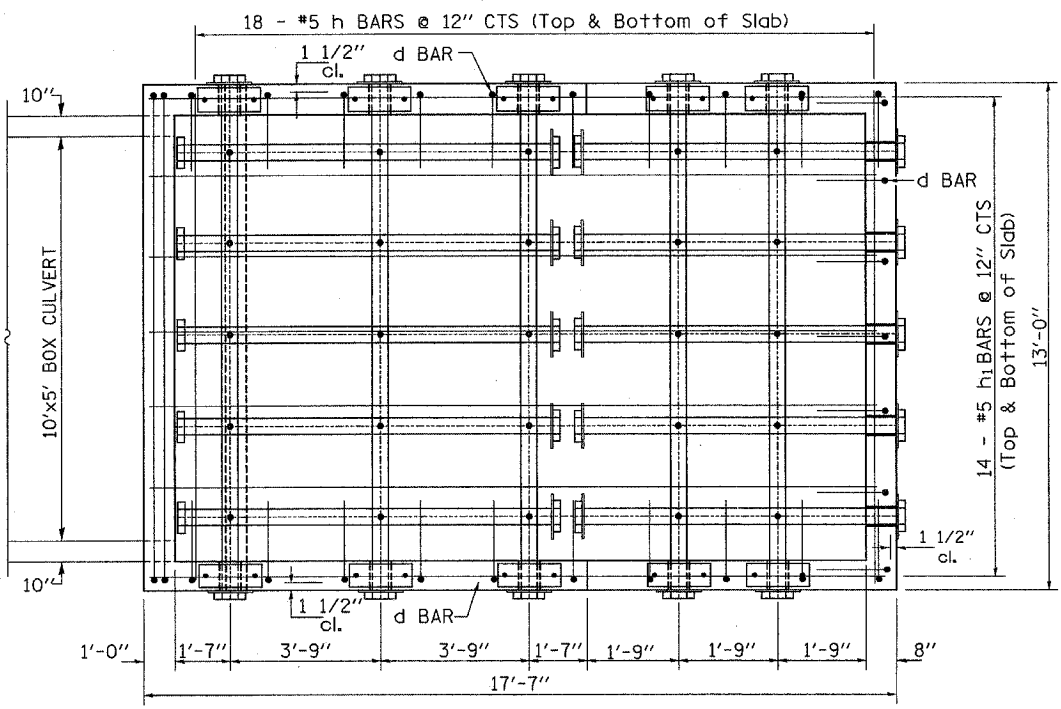
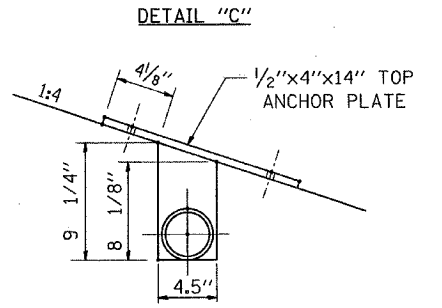
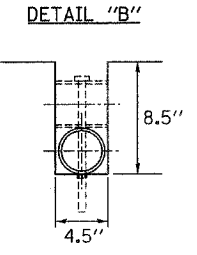
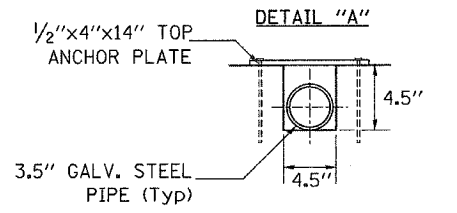
STA. 261 + 52



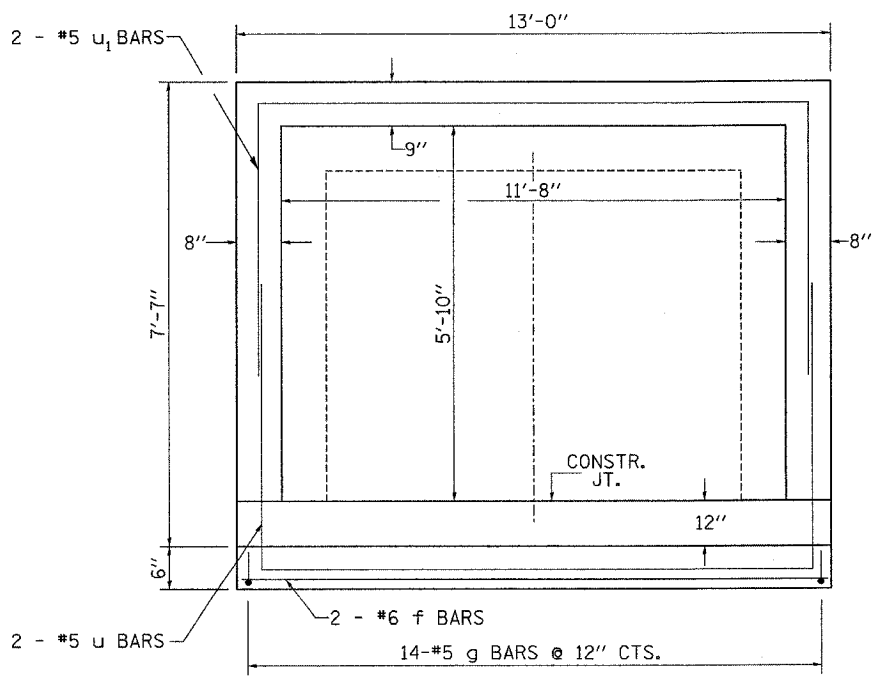
SIDEWALLS



BACK WALL



BOTTOM SLAB



HEADWALL

JAMES O. HAMILTON
 061-03888
 LICENSED
 STRUCTURAL
 ENGINEER
 OF
 JACKSONVILLE
 ILLINOIS

James O. Hamilton
 2/15/08
 Expires 11/30/08

PLOT DATE = 2/14/2008
 FILE NAME = V:\Bentley\2244-15\JOB0107\cull.dgn
 PLOT SCALE = 45,3993 / IN.
 USER NAME = bndoni