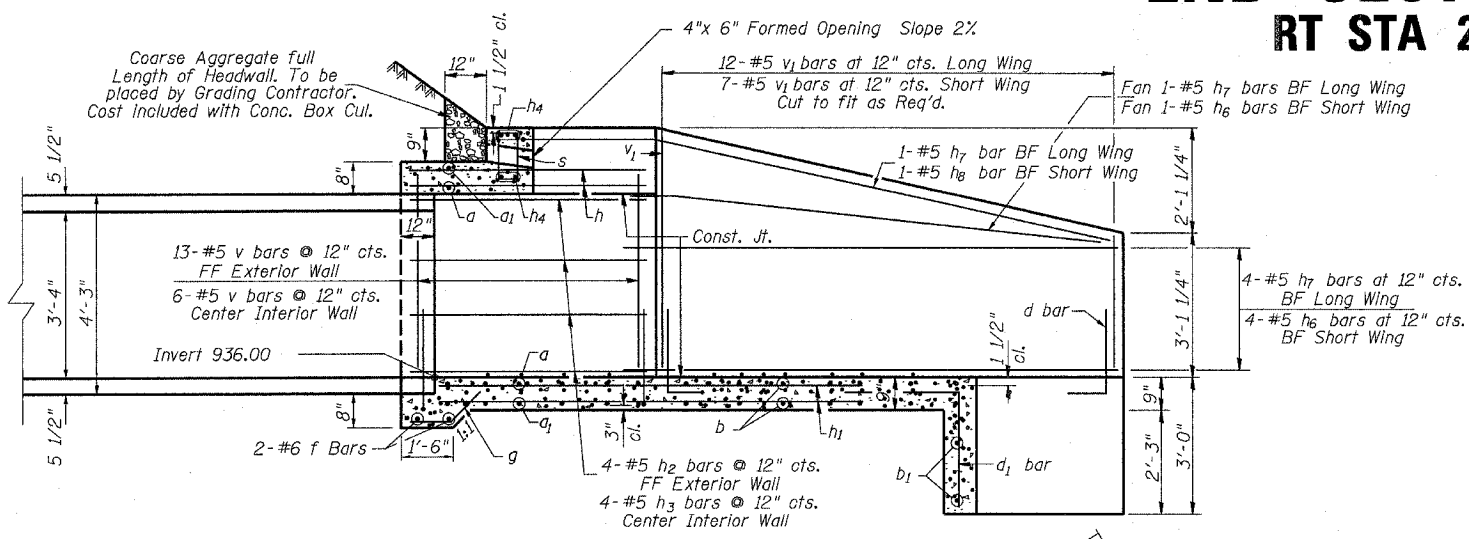


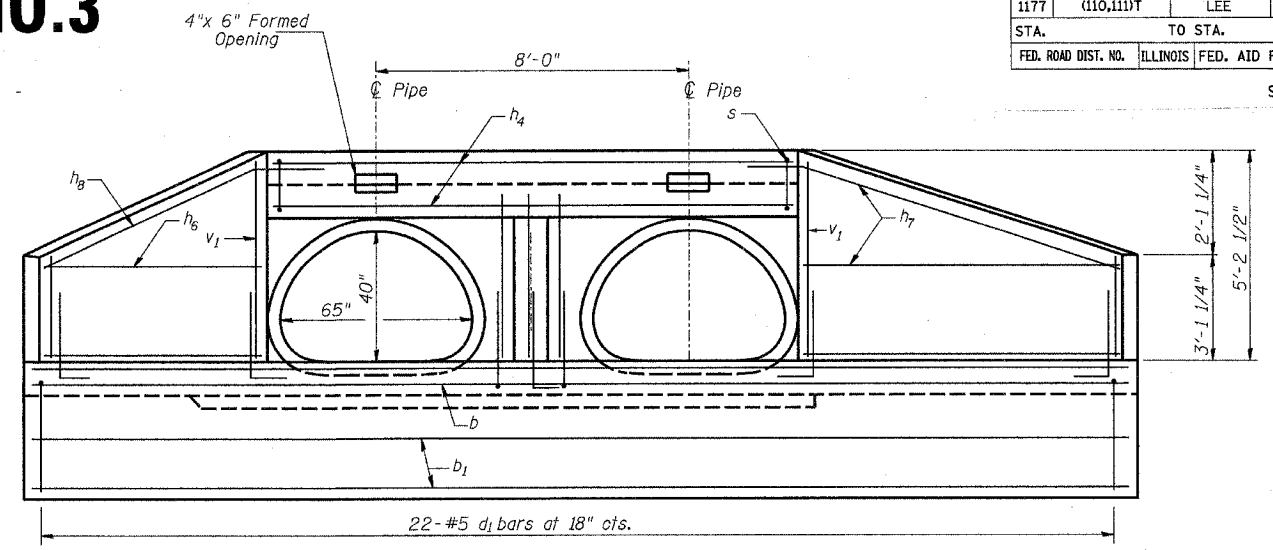
F.A.S. RTE.	SECTION	COUNTY	TOTAL SHEETS	SHEET NO.
1177	(110,111)T	LEE	59	29
STA.	TO STA.			
FED. ROAD DIST. NO.	ILLINOIS	FED. AID PROJECT		

END SECTION NO.3

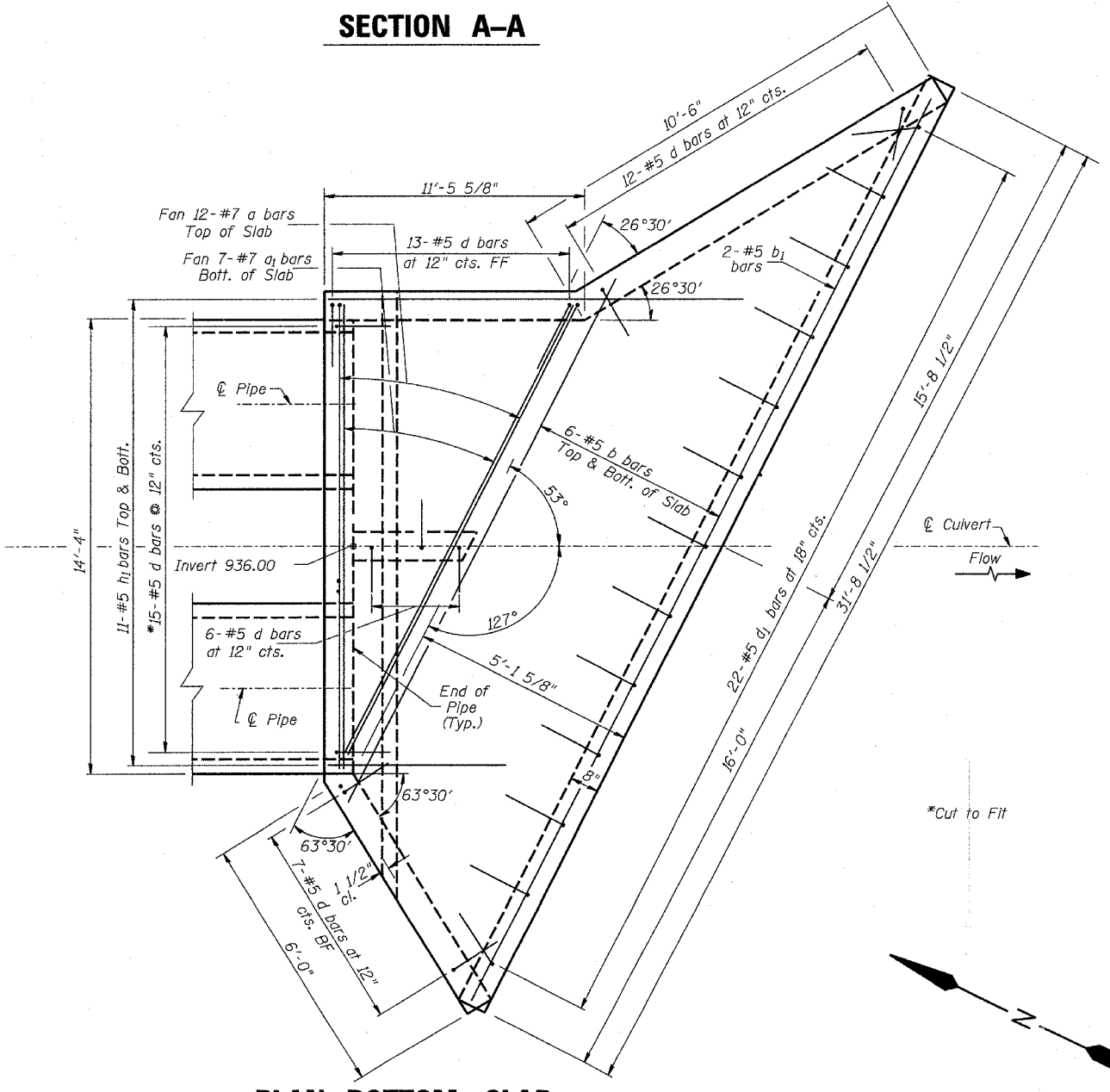
RT STA 277+15



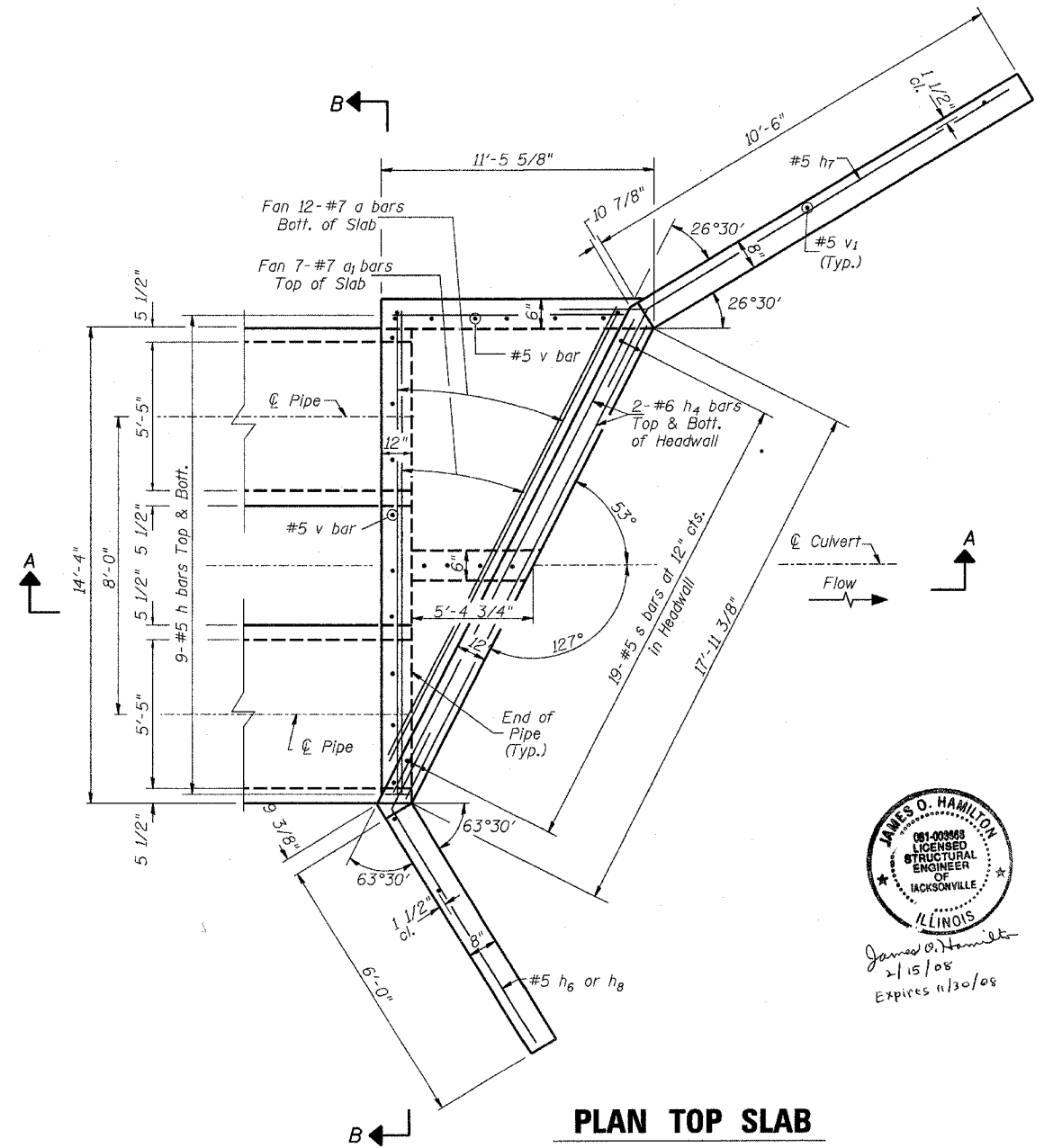
SECTION A-A



END VIEW



PLAN BOTTOM SLAB



PLAN TOP SLAB



James O. Hamilton
2/15/08
Expires 11/30/08

PLOT DATE = 2/14/2008
PLOT SCALE = 1/8" = 1'-0"
USER NAME = jbrad1