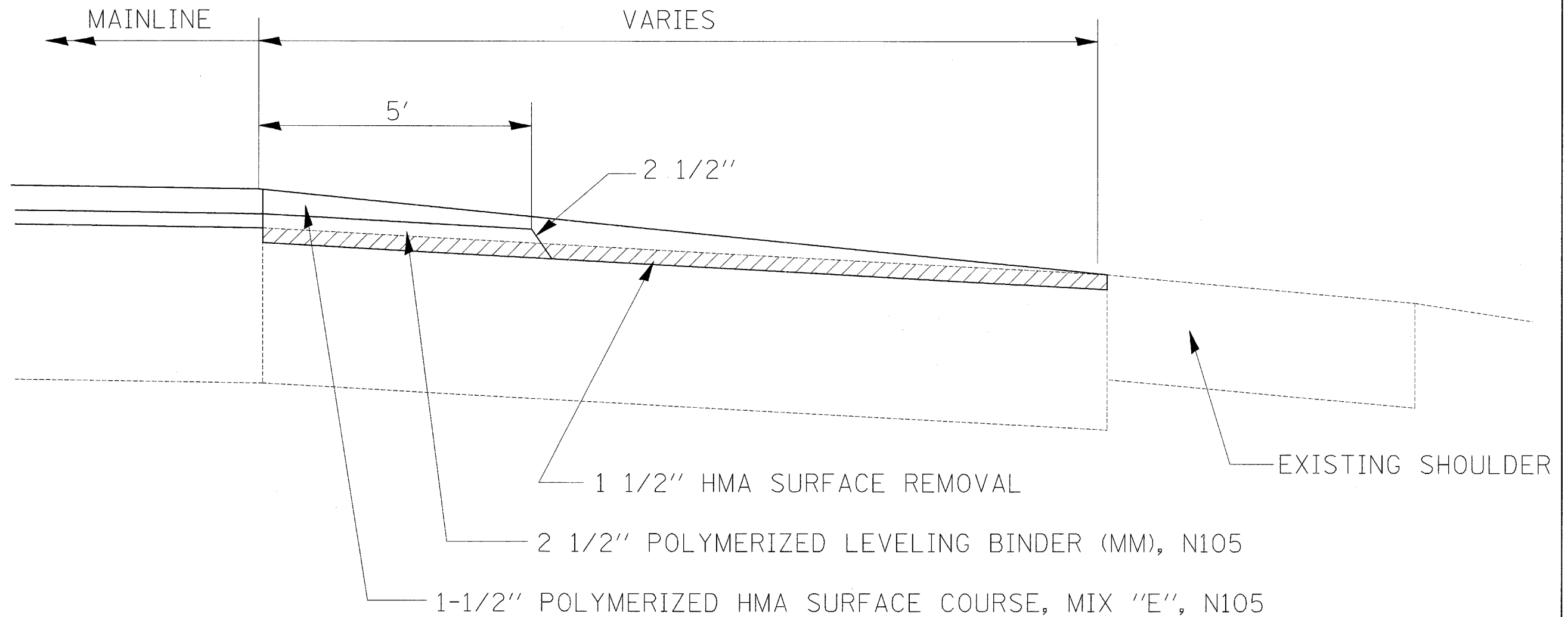


TYPICAL SECTION

STA 162+50 TO 169+84.46



BITUMINOUS APPLICATION RATES

SURFACE MIXTURES: 119 LB/SY-IN
 OTHER BITUMINOUS MIXTURES: 112 LB/SY-IN
 BITUMINOUS MATERIAL (PRIME COAT): 0.000286 TON/SY
 AGGREGATE (PRIME COAT): 0.0015 TON/SY

* D2 SPRING PATCHING 2007-2

FILE NAME = D:\Projects\Rock_Island\64034_I-80_Spring_Patch_2007-2\1-80_resurfcrv.dgn	USER NAME = grantpm	DESIGNED -	REVISED -	STATE OF ILLINOIS DEPARTMENT OF TRANSPORTATION	TYPICAL SECTIONS			F.A.I. RTE.	SECTION	COUNTY	TOTAL SHEETS	SHEET NO.
PLOT SCALE = 50.000' / IN.	CHECKED -	REVISED -	REVISED -					80	*	ROCK ISLAND	31	15
PLOT DATE = Thu May 15 13:45:14 2008	DATE -	REVISED -	REVISED -		SCALE: SHEET NO. OF SHEETS STA. TO STA.			FED. ROAD DIST. NO. ILLINOIS FED. AID PROJECT		CONTRACT NO. 64034		