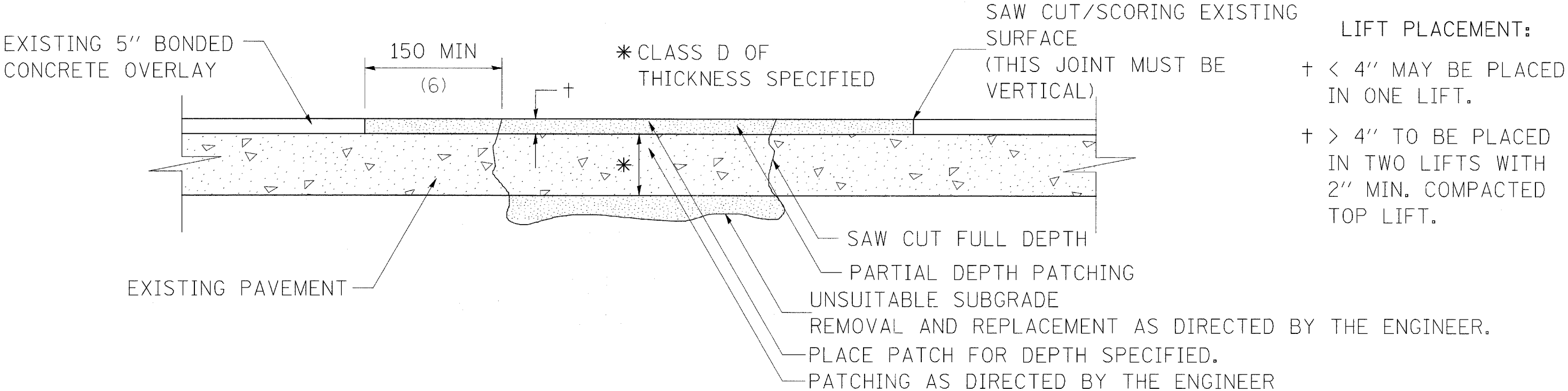


PARTIAL DEPTH PATCHING



SEQUENCE OF CONSTRUCTION:

1. REMOVE THE EXISTING 5" CONCRETE SURFACE.
2. RESIDENT ENGINEER WILL DETERMINE FULL DEPTH PATCHING IS REQUIRED.
3. REMOVE AND REPLACE FULL DEPTH PATCHES AT LOCATIONS DIRECTED BY THE ENGINEER.
4. PLACE PARTIAL DEPTH PATCH OVER FULL DEPTH PATCHES, AND AT LOCATIONS OF CONCRETE SURFACE REMOVAL

GENERAL NOTES:

1. ALL DIMENSIONS ARE IN MILLIMETERS (INCHES) UNLESS OTHERWISE NOTED.

REVISED - 11-01-07

* D2 SPRING PATCHING 2007-2

| | | | | | | | | | | | | | |
|---------------------------------------|---------------------|------------|-----------|---|-------------------------|-----------|----|--------|----------------------|--------------|-----------------------|-----------------------|--------------------|
| FILE NAME = P:\1-00 resur\covr.dgn | USER NAME = grantpm | DESIGNED - | REVISED - | STATE OF ILLINOIS DEPARTMENT OF TRANSPORTATION | TYPICAL SECTIONS | | | | F.A.I. RTE. 80 | SECTION * | COUNTY ROCK ISLAND | TOTAL SHEETS 31 | SHEET NO. 28 |
| | | DRAWN - | REVISED - | | SCALE: | SHEET NO. | OF | SHEETS | STA. | TO STA. | CONTRACT NO. 64034 | | |
| | | CHECKED - | REVISED - | | | | | | | | | | |
| | | DATE - | REVISED - | | | | | | | | | | |