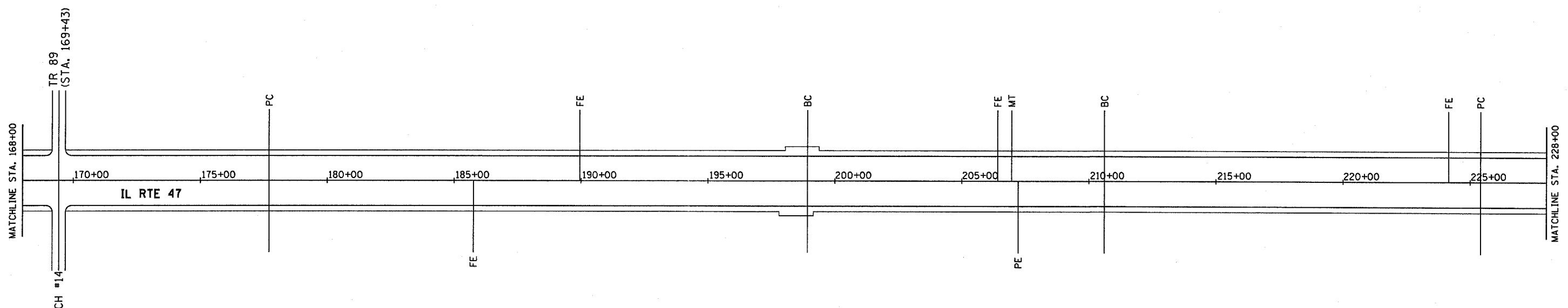


KEY

CE - COMMERCIAL ENTRANCE	FE - FIELD ENTRANCE
PE - PRIVATE ENTRANCE	BC - BOX CULVERT
MT - MAILBOX TURNOUT	RR - RAILROAD
PC - PIPE CULVERT	

NOTES

- SEE DETAILS FOR TREATMENT AND EXTENT OF IMPROVEMENT AT FE, CE, & PE.
- SEE DETAILS FOR TREATMENT AND EXTENT OF IMPROVEMENT AT SIDE ROADS.



FILE NAME =	USER NAME = dunoombd	DESIGNED -	REVISED - DIST. 3 COMMENT	STATE OF ILLINOIS DEPARTMENT OF TRANSPORTATION	PROJECT LAYOUT	F.A.P. RTE.	SECTION	COUNTY	TOTAL SHEETS	SHEET NO.	
cd:\projects\ed02404\consult\cadd\drawings\shtrdy01.dgn		DRAWN - MAP	REVISED - 5/27/04			326		FORD	22	9	
PLOT SCALE = 200.0004 "/> <td></td> <td>CHECKED - RRM</td> <td>REVISED - BDD 01/28/08</td> <td colspan="6" style="text-align: center;">CONTRACT NO. 66423</td>		CHECKED - RRM	REVISED - BDD 01/28/08			CONTRACT NO. 66423					
PLOT DATE = Mar 11, 2008 - 09:27:34 AM		DATE - 02/26/04	REVISED -			FED. ROAD DIST. NO. [ILLINOIS] FED. AID PROJECT					