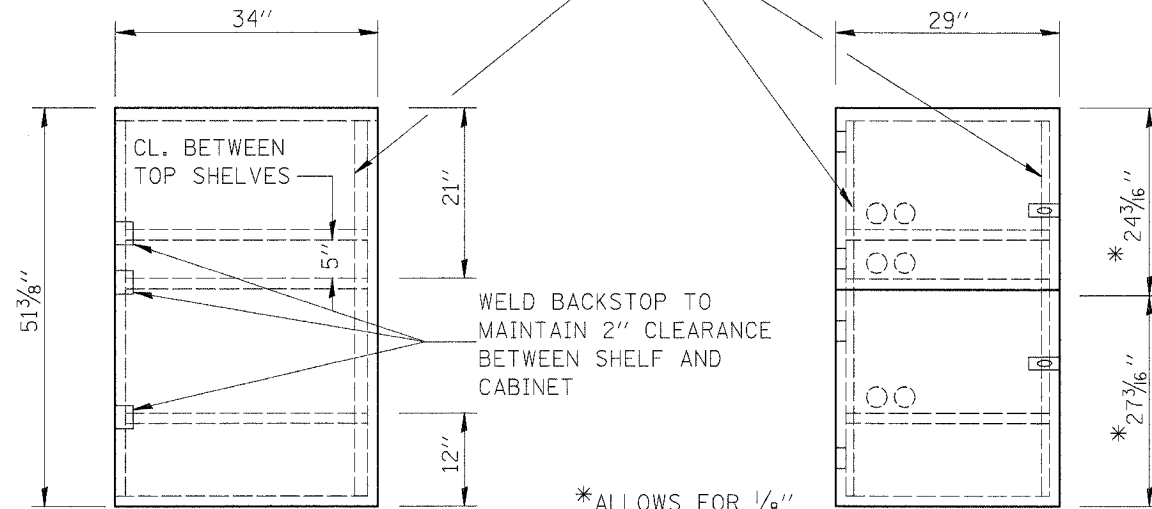


F.A.P. RTE.	SECTION	COUNTY	TOTAL SHEETS	SHEET NO.
326	(111CS) W&RS-21	GRUNDY	85	58
STA.		TO STA.		
FED. ROAD DIST. NO. 1		ILLINOIS FED. AID PROJECT		

SHELF SIDE VIEW

1/2" X 1 1/2" FLAT STOCK WELD TO FORM DOOR FRAME AND ALSO AROUND PERIMETER OF EACH DOOR.

SHELF FRONT VIEW



SIDE VIEW

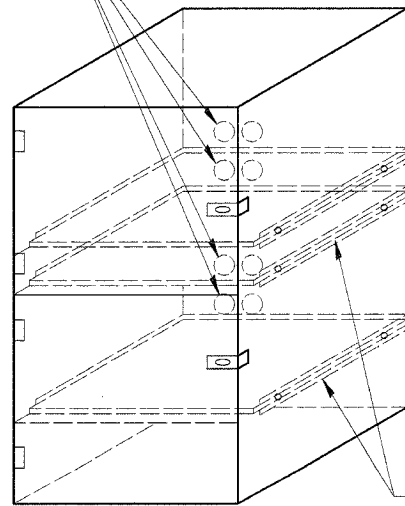
FRONT VIEW

* WELD BACKSTOP TO MAINTAIN 2" CLEARANCE BETWEEN SHELF AND CABINET

* ALLOWS FOR 1/8" CLEARANCE AT TOP AND BOTTOM OF CABINET AND BETWEEN DOORS.

- NOTES:
1. USE 16 GAUGE STEEL FOR CABINET.
 2. THE TOP SHELF SHALL SLIDE IN OR OUT WITH THE TOP DOOR OPEN.
 3. ALL HINGES AND HASPS WILL BE WELDED TO THE CABINET.
 4. ALL EDGES SHALL BE GROUND SMOOTH.
 5. TWO (2" DIA.) ACCESS HOLES WILL BE REQUIRED FOR EACH SHELF.
 6. CABINET SHALL BE PAINTED WITH TWO COATS OF FLAT PAINT.
 7. 2 EACH MATCHING KEY PADLOCKS, WITH 3 KEYS PROVIDED, MASTER MODEL 3 T OR EQUIVALENT.
 8. 4 EACH PLAIN STEEL, NON-REMOVABLE PIN, NO HOLE 4"x4" SQUARE CORNER HINGES TO BE WELDED ON.
 9. 2 EACH EXTRA HEAVY, PLAIN STEEL, FIXED STAPLE, NO HOLE, 7 1/4" HASPS TO BE WELDED ON.

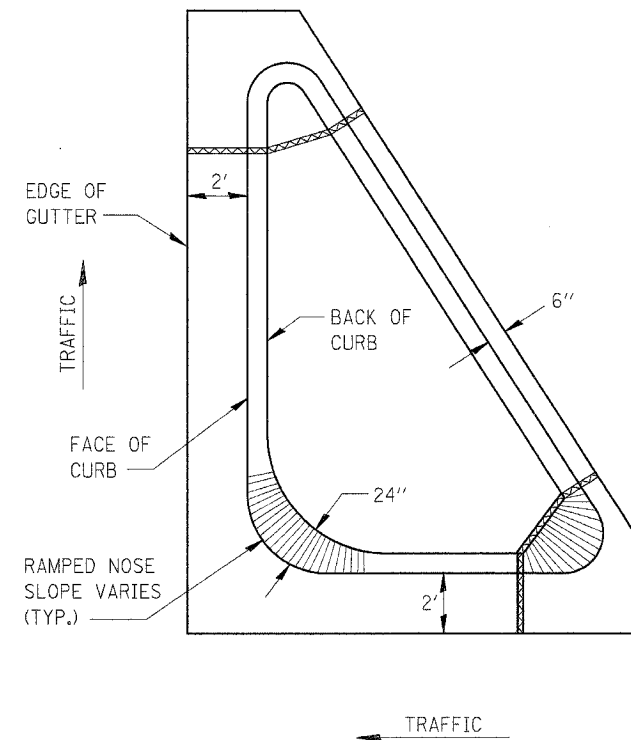
2" ACCESS HOLES IN REAR OF CABINET



FLAT STOCK DIMENSIONS VARY DEPENDING ON TYPE OF ROLLER ASSEMBLY.

LOCKABLE COMPUTER CABINET

670-1

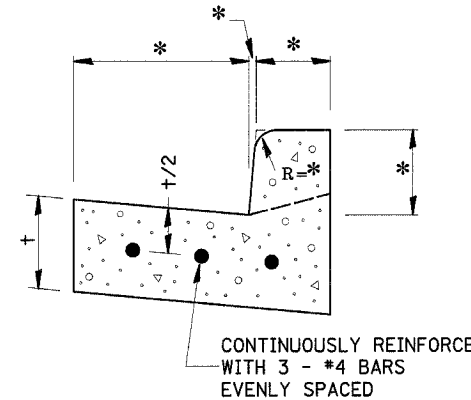


GENERAL NOTES:

1. THE CURB AND GUTTER CONFIGURATION SHALL BE M-6.06.
2. DEPRESSED CURB FOR CROSSWALKS TO CONFORM TO DIST. STD. 424-27.
3. SEE STD. 606001 & AND 606301 FOR ADDITIONAL DETAILS.
4. ALL MATERIALS, LABOR, AND EQUIPMENT REQUIRED TO COMPLETE THE WORK SHALL BE INCLUDED IN THE COST OF ISLAND PAVEMENT (SPECIAL) PER SQUARE YARD.

606-1

* VARIES - SEE STANDARD 606001

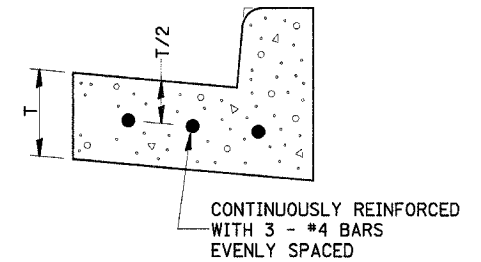


CONTINUOUSLY REINFORCED WITH 3 - #4 BARS EVENLY SPACED

REINFORCEMENT SHALL NOT BE PAID FOR SEPARATELY BUT WILL BE INCLUDED IN THE CONTRACT UNIT PRICE FOR CC&G.

REINFORCEMENT DETAIL FOR COMBINATION CONCRETE CURB AND GUTTER

606-4



CONTINUOUSLY REINFORCED WITH 3 - #4 BARS EVENLY SPACED

REINFORCEMENT SHALL NOT BE PAID FOR SEPARATELY BUT WILL BE INCLUDED IN THE CONTRACT UNIT PRICE FOR CC&G.

REINFORCEMENT DETAIL FOR COMBINATION CONCRETE CURB AND GUTTER TYPE B-6.24

606-7

REVISIONS	
NAME	DATE

ILLINOIS DEPARTMENT OF TRANSPORTATION
DISTRICT DETAILS
IL ROUTE 47
GRUNDY COUNTY

SCALE: NTS
DATE: 09/2007
DRAWN BY: KHH
CHECKED BY: FML

IL ROUTE 47 - DISTRICT DETAILS