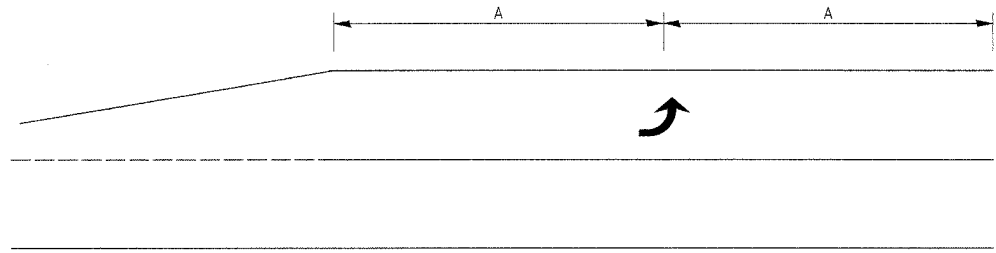
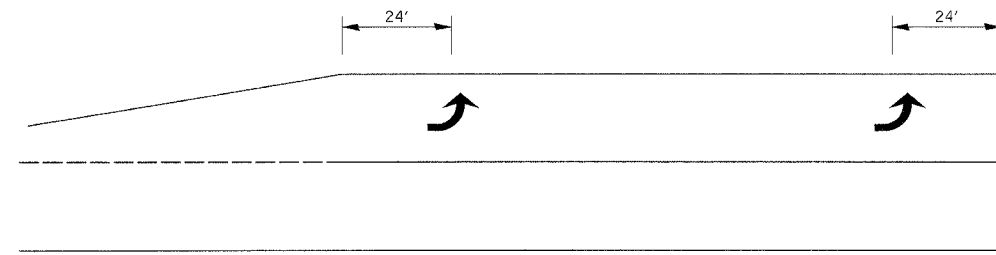


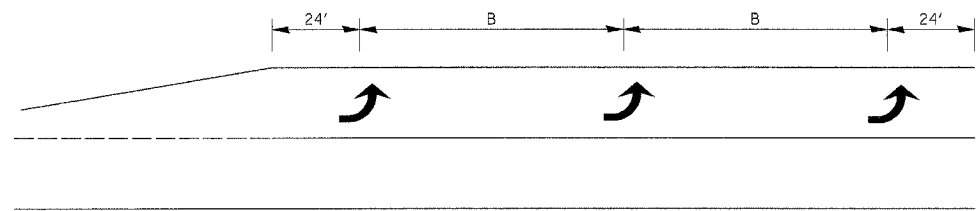
F.A.P. RTE.	SECTION	COUNTY	TOTAL SHEETS	SHEET NO.
326	(111CS) W&RS-21	GRUNDY	85	61
STA.		TO STA.		
FED. ROAD DIST. NO. 1		ILLINOIS FED. AID PROJECT		



99' AND UNDER



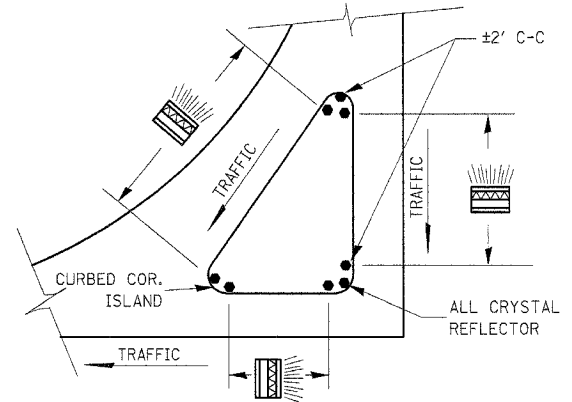
100' TO 149'



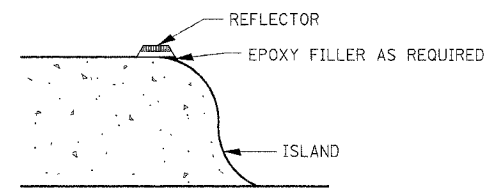
150' AND LONGER

TYPICAL PLACEMENT OF ARROWS IN TURN LANES

780-10



PRISMATIC REFLECTORS

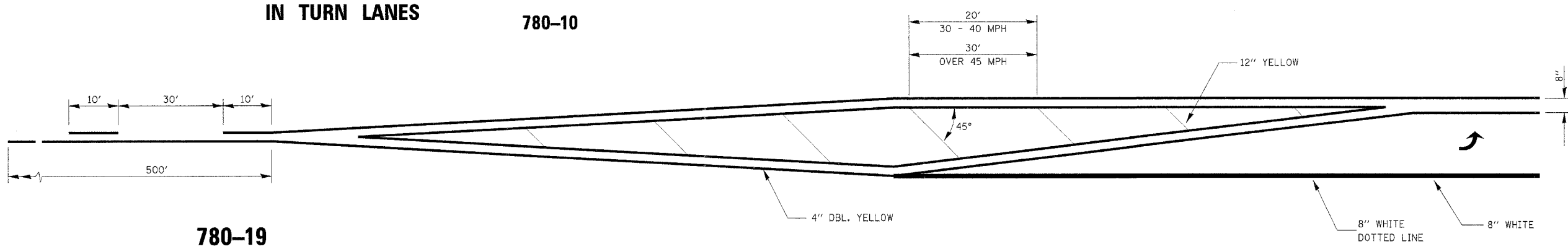


SECTION VIEW

782-2

NOTES

1. PRISMATIC REFLECTORS SHALL BE MONO-DIRECTIONAL AND POSITIONED SO THAT THE REFLECTIVE FACE IS FACING THE APPROACHING TRAFFIC.
2. PRISMATIC REFLECTORS SHALL BE SECURED IN PLACE WITH AN EPOXY ADHESIVE.
3. PRISMATIC REFLECTORS SHALL BE EITHER AMBER OR CRYSTAL IN COLOR.



780-19

REVISIONS	
NAME	DATE

ILLINOIS DEPARTMENT OF TRANSPORTATION

DISTRICT DETAILS
IL ROUTE 47
GRUNDY COUNTY

SCALE: NTS
DATE: 09/2007

DRAWN BY: KHH
CHECKED BY: FML