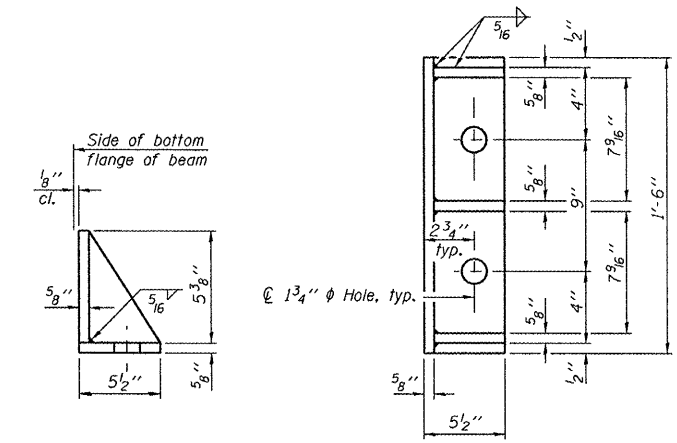
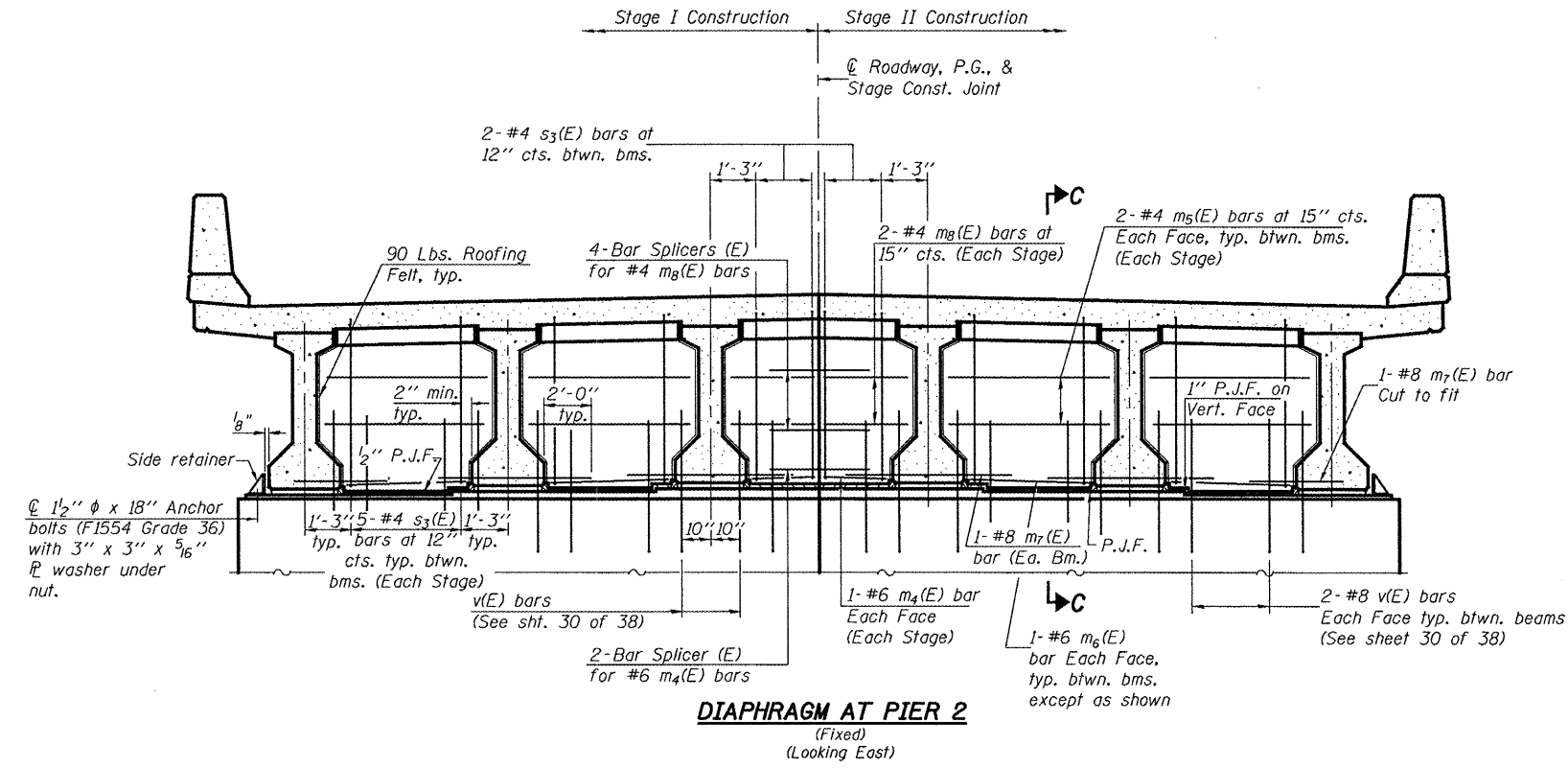


STATE OF ILLINOIS  
DEPARTMENT OF TRANSPORTATION

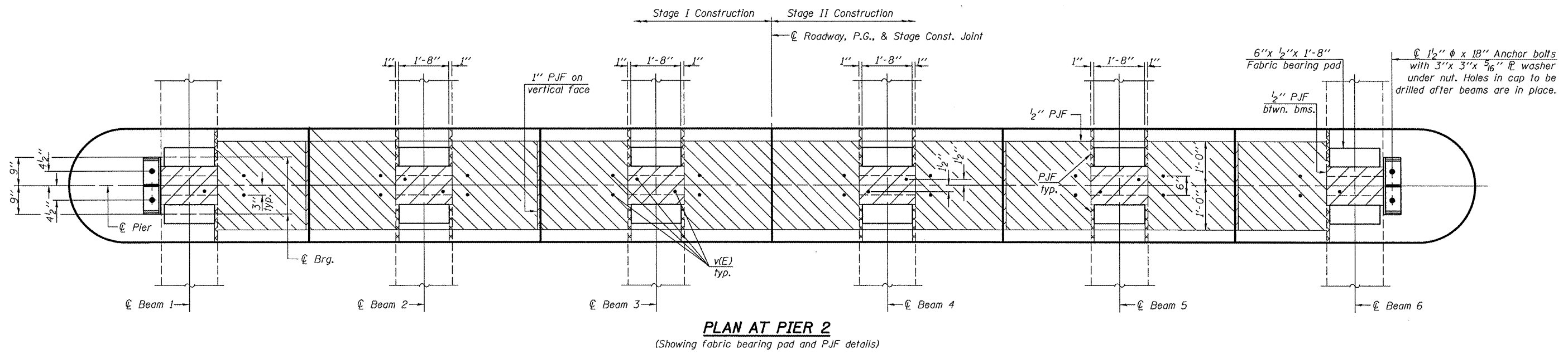
ROUTE NO.	SECTION	COUNTY	SHEET NO.	SHEET	SHEET NO.
FAP 769	110B-2	MACOUPIN	48	55	38 SHEETS
FED. ROAD DIST. NO. 7	ILLINOIS	FED. AID PROJECT			

Contract #72813



**SIDE RETAINER FOR PIER 2**  
Equivalent rolled angle with stiffeners will be allowed in lieu of welded plates.  
Cost of Side Retainers at Pier 2 included with cost of Concrete Structures.

**DIAPHRAGM AT PIER 2**  
(Fixed)  
(Looking East)



**PLAN AT PIER 2**  
(Showing fabric bearing pad and P.J.F. details)

DESIGNED	Tom Kurtenbach
CHECKED	Jay Edwards
DRAWN	BECKY M. LEACH
CHECKED	TK/JE

June 17, 2008  
EXAMINED *Thomas J. Romagnolo*  
PASSED *Ralph C. ...*

Note:  
See sheet 16 of 38 for Section C-C.

**DIAPHRAGM DETAILS**  
F.A.P. ROUTE 769 - SEC. 110B-2  
MACOUPIN COUNTY  
STATION 104+41.00  
STRUCTURE NO. 059-0509