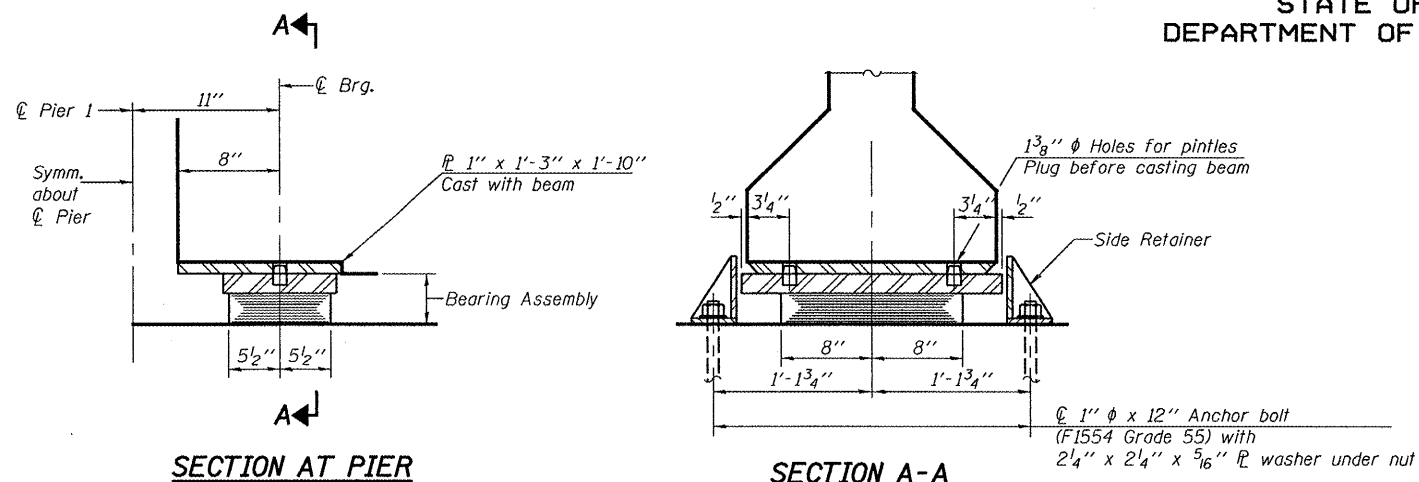


STATE OF ILLINOIS  
DEPARTMENT OF TRANSPORTATION

ROUTE NO.	SECTION	COUNTY	SHEET NO.	SHEET NO.
FAP 769	110B-2	MACOUPIN	98	58
FED. ROAD DIST. NO. 7		ILLINOIS	FED. AID PROJECT	

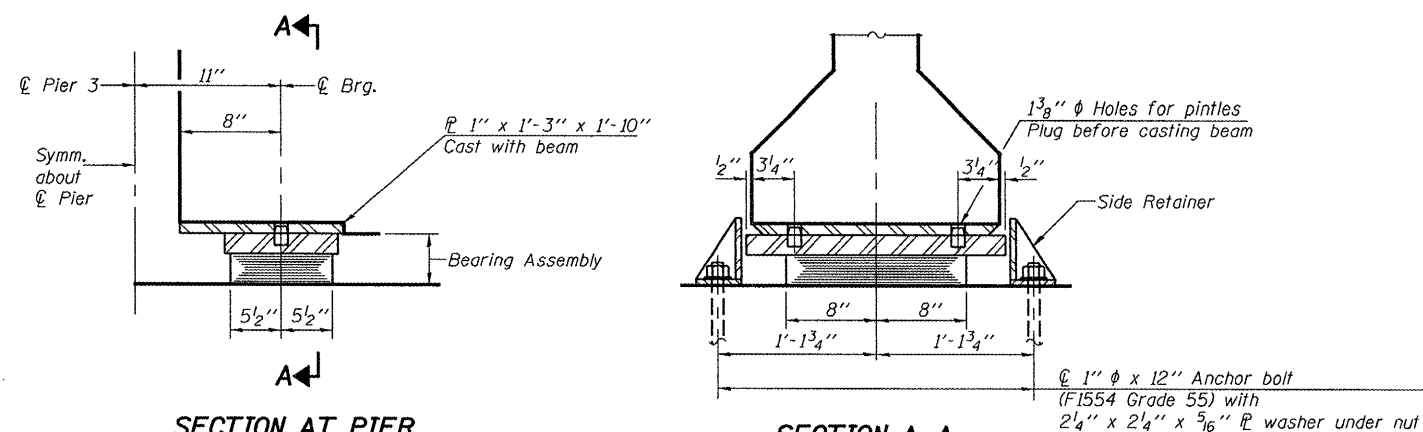
Contract #72813



SECTION AT PIER

SECTION A-A

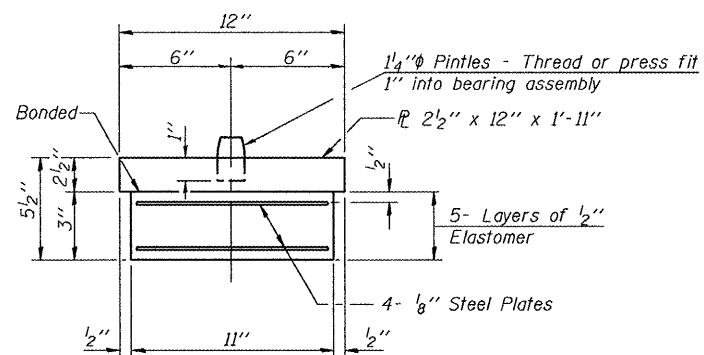
TYPE I ELASTOMERIC EXP. BRG. AT PIER 1



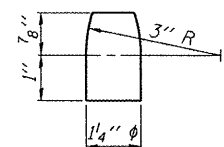
SECTION AT PIER

SECTION A-A

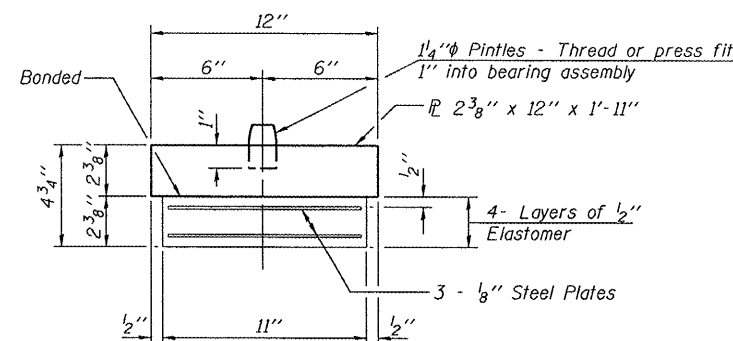
TYPE I ELASTOMERIC EXP. BRG. AT PIER 3



BEARING ASSEMBLY PIER 1



PINTLE



BEARING ASSEMBLY PIER 3

Notes:

Anchor bolts shall be ASTM F1554 all-thread (or an Engineer-approved alternate material) of the grade(s) and diameter(s) specified. ASTM A307 Grade C anchor bolts may be used in lieu of ASTM F1554 Grade 36 (Fy=36ksi). The corresponding specified grade of AASHTO M314 anchor bolts may be used in lieu of ASTM F1554.

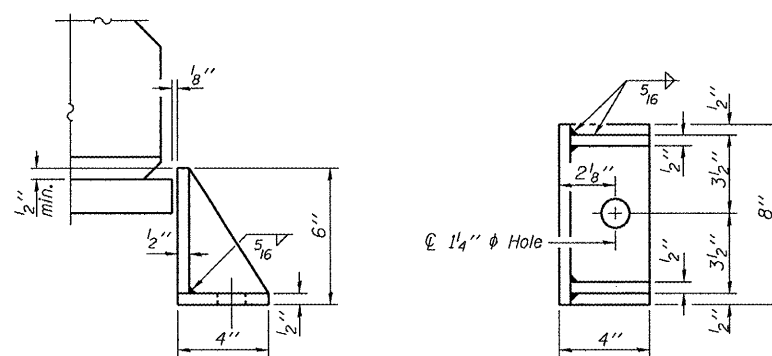
Anchor bolts for side retainers may be cast in place or installed in holes drilled after members are in place.

Drilled and set anchor bolts shall be installed according to Article 521.06 of the Standard Specifications.

Pintles and side retainers at Pier 1 and Pier 3 shall be included with the cost of Elastomeric Bearing Assembly, Type I.

See sheets 19 thru 26 of 38 for additional details of plate cast with beam.

All embedded and separate bearing plates, side retainers, anchor bolts, nuts, washers and pintles shall be galvanized according to AASHTO M111 or M232 (as applicable).



SIDE RETAINER FOR PIERS 1 & 3

Equivalent rolled angle with stiffeners will be allowed in lieu of welded plates.

BILL OF MATERIAL

Item	Unit	Total
Elastomeric Bearing Assembly, Type I	Each	24
Anchor Bolts 1" $\phi$	Each	48

DESIGNED	Tom Kurtenbach
CHECKED	Jay Edwards
DRAWN	BECKY M. LEACH
CHECKED	TK/JE

June 17, 2008  
EXAMINED *Thomas J. Demasallo*  
PASSED *Ronald E. Anderson*

PI-2E-1 9-3-07

BEARING DETAILS AT PIERS 1 & 3  
F.A.P. ROUTE 769 - SEC. 110B-2  
MACOUPIN COUNTY  
STATION 104+41.00  
STRUCTURE NO. 059-0509