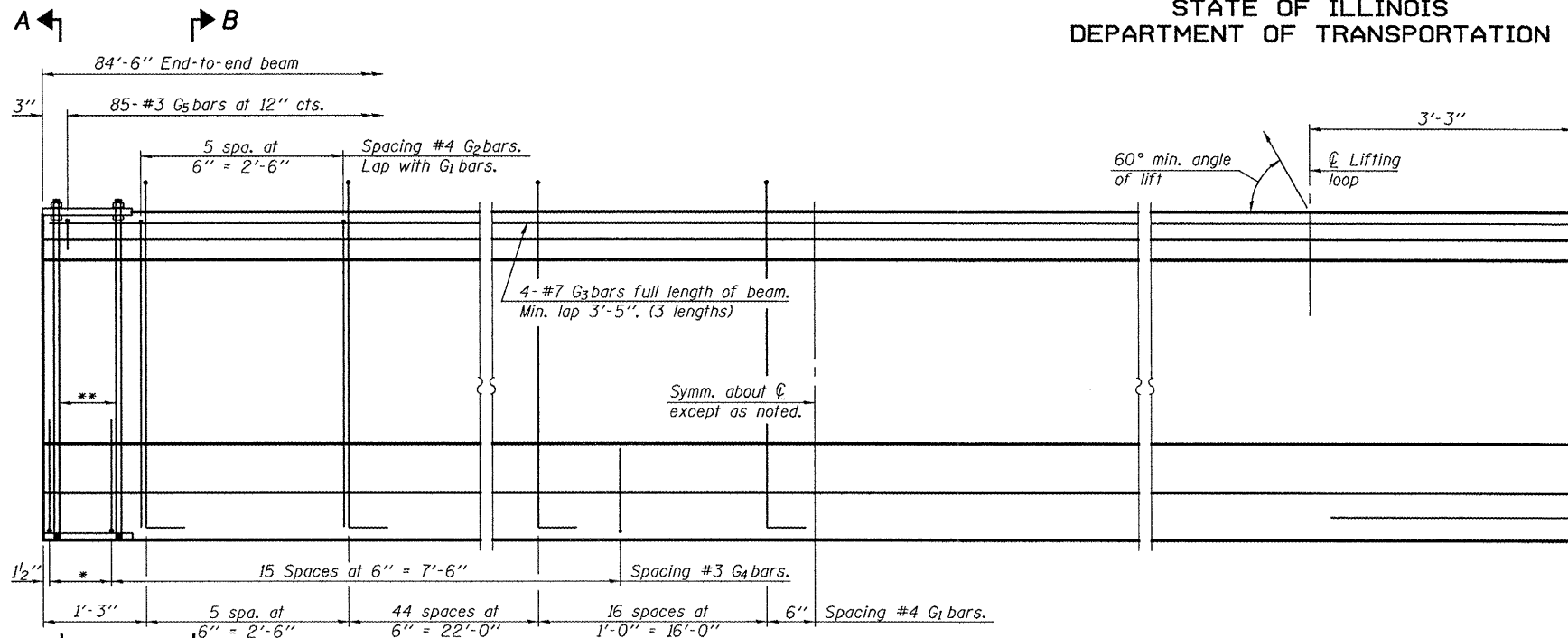


STATE OF ILLINOIS
DEPARTMENT OF TRANSPORTATION

ROUTE NO.	SECTION	COUNTY	SHEET	SHEET	SHEET NO. 21
FAP 769	110B-2	MACOUPIN	98	61	38 SHEETS
FED. ROAD DIST. NO. 7	ILLINOIS	FED. AID PROJECT			

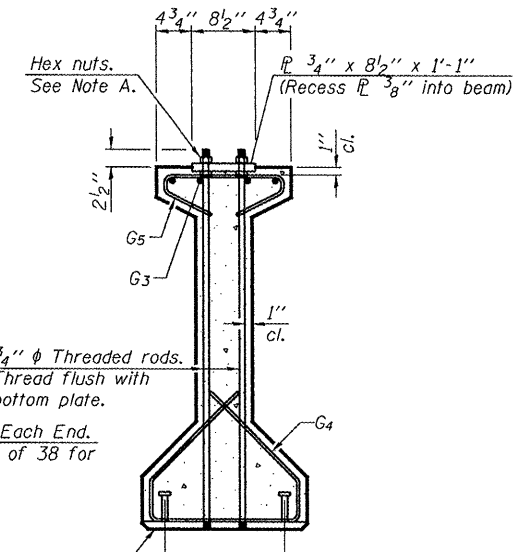
Contract #72813



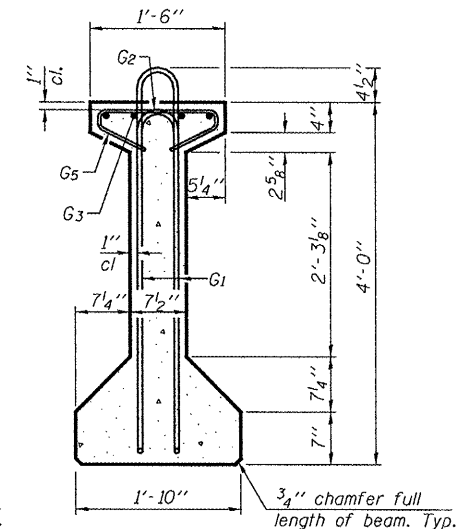
ELEVATION OF BEAM
(Showing reinforcement & dimensions)

*3 spaces at 3" = 9".
**4- 3/4" φ threaded dowel rods at 3" cts., Each Face.

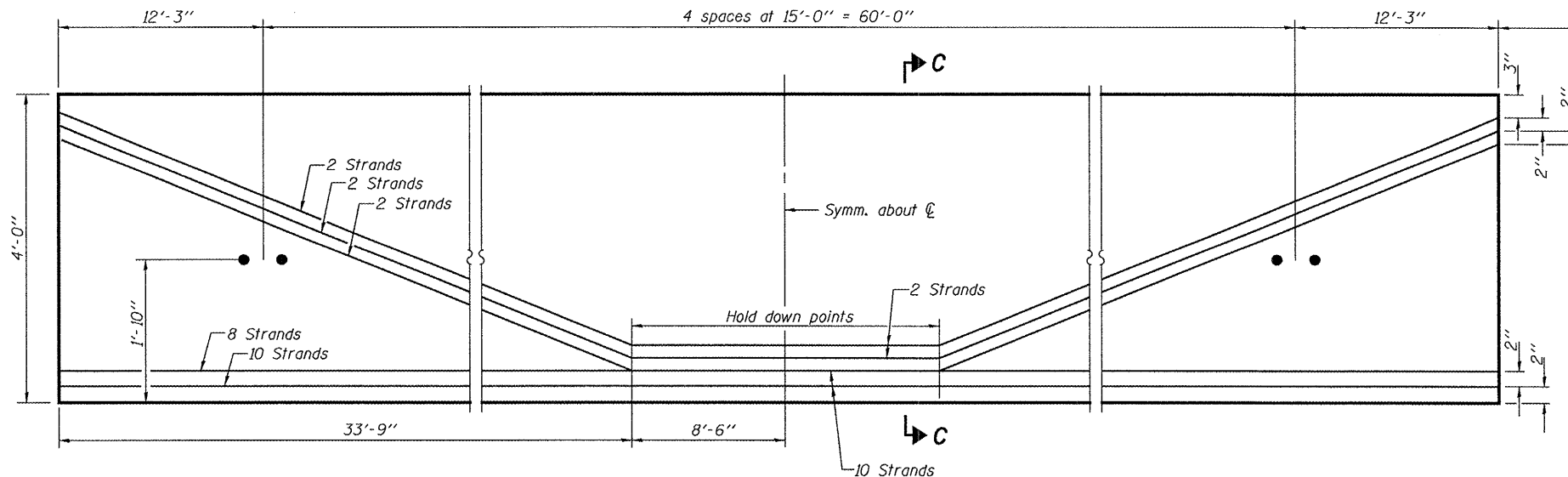
Note A:
Hex nuts (top and bottom) with lock washers (top). Only tighten sufficiently to compress lock washers.



SECTION A-A

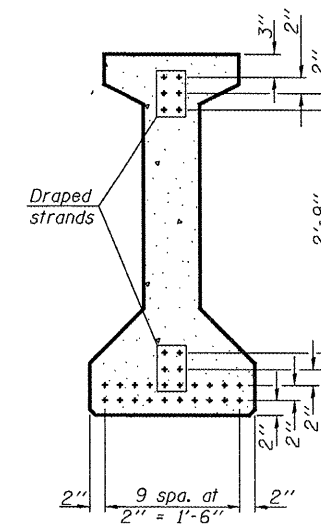


SECTION B-B



ELEVATION OF BEAM
(Showing prestressing steel)

φ insert for 3/4" φ stud bolts (typ.) outside face of exterior beams only for floor drains



SECTION C-C

*****BAR LIST
ONE BEAM ONLY**

Bar	No.	Size	Length	Shape
G ₁	132	#4	9'-6"	⏏
G ₂	12	#4	7'-11"	⏏
G ₃	12	#7	30'-5"	—
G ₄	38	#3	5'-3"	⏏
G ₅	85	#3	2'-9"	⏏
G ₆	4	#8	3'-9"	⏏

***For information only

Notes:
See sheet 22 of 38 for additional details and Bill of Material.
Required release strength, f'cl, shall be 6000 psi.

DESIGNED Tom Kurtenbach
CHECKED Jay Edwards
DRAWN BECKY M. LEACH
CHECKED TK/JE

June 17, 2008
EXAMINED Thomas J. Donagallo
PASSED Robert E. Curkjian

PI-4-48 12-21-06

48" PPC I-BEAM (SPAN 2)
F.A.P. ROUTE 769 - SEC. 110B-2
MACOUPIN COUNTY
STATION 104+41.00
STRUCTURE NO. 059-0509