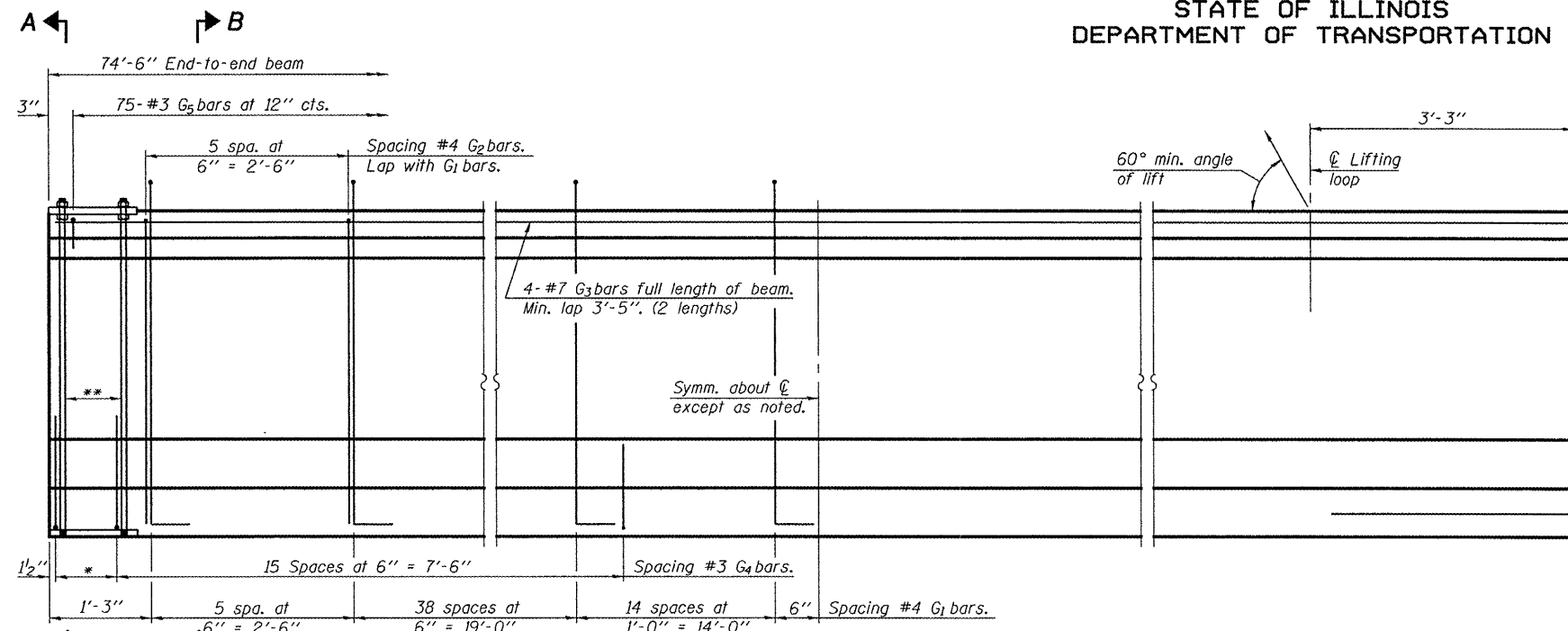


STATE OF ILLINOIS
DEPARTMENT OF TRANSPORTATION

ROUTE NO.	SECTION	COUNTY	SHEET NO.	SHEET	SHEET NO. 23
FAP 769	110B-2	MACOUPIN	98	63	38 SHEETS
FED. ROAD DIST. NO. 7	ILLINOIS	FED. AID PROJECT			

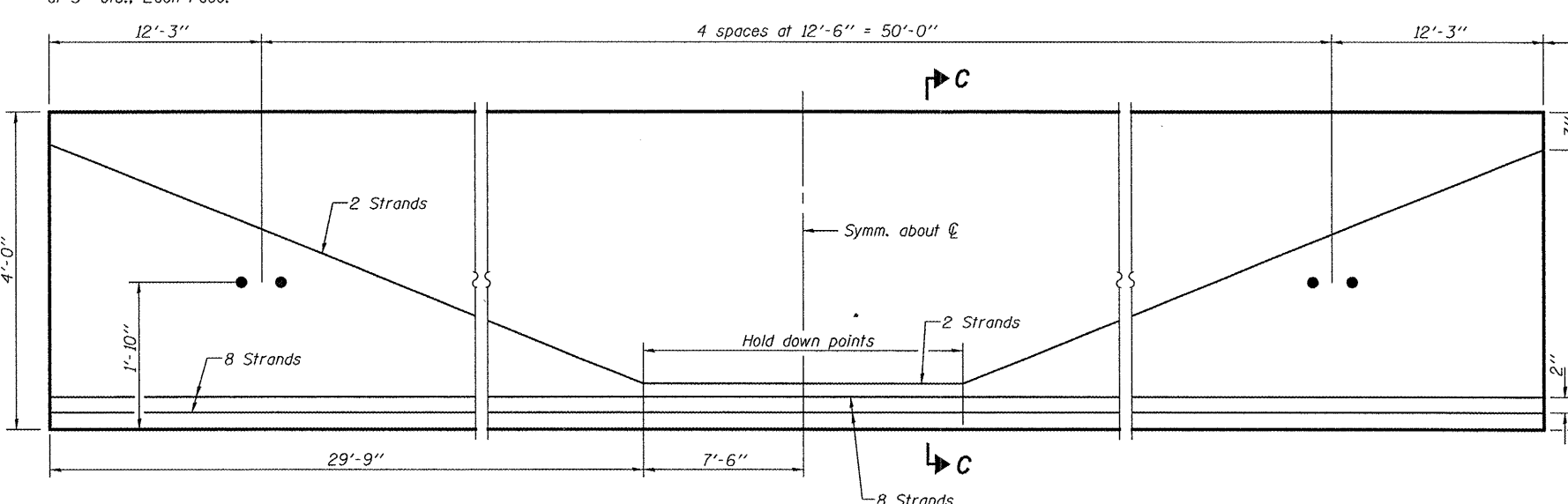
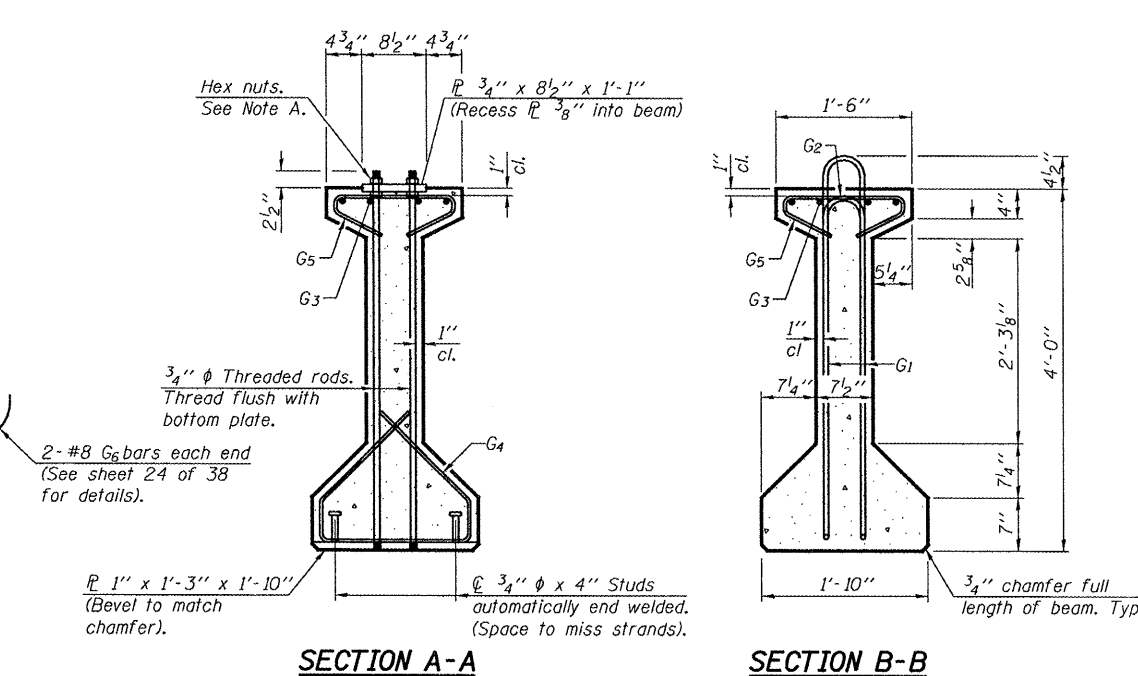
Contract #72813



ELEVATION OF BEAM
(Showing reinforcement & dimensions)

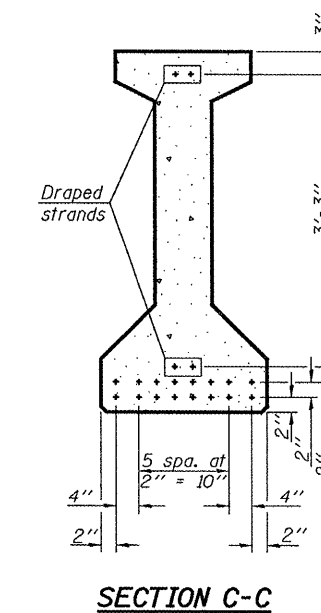
*3 spaces at 3" = 9".
**4-3/4" ϕ threaded dowel rods at 3" cts., Each Face.

Note A:
Hex nuts (top and bottom) with lock washers (top). Only tighten sufficiently to compress lock washers.



ELEVATION OF BEAM
(Showing prestressing steel)

\bar{C} insert for 3/4" ϕ stud bolts (typ.) outside face of exterior beams only for floor drains



*****BAR LIST
ONE BEAM ONLY**

Bar	No.	Size	Length	Shape
G ₁	116	#4	9'-6"	U
G ₂	12	#4	7'-11"	n
G ₃	8	#7	38'-10"	—
G ₄	38	#3	5'-3"	S
G ₅	75	#3	2'-9"	S
G ₆	4	#8	3'-9"	J

***For information only

Notes:
See sheet 24 of 38 for additional details and Bill of Material.
Required release strength, f'ci, shall be 6000 psi.

DESIGNED Tom Kurtenbach
CHECKED Jay Edwards
DRAWN OECKY M. LEACH
CHECKED TK/JE

June 17, 2008
EXAMINED Thomas J. Romagnoli
PASSED Robert E. Anderson

48" PPC I-BEAM (SPAN 3)
F.A.P. ROUTE 769 - SEC. 110B-2
MACOUPIN COUNTY
STATION 104+41.00
STRUCTURE NO. 059-0509