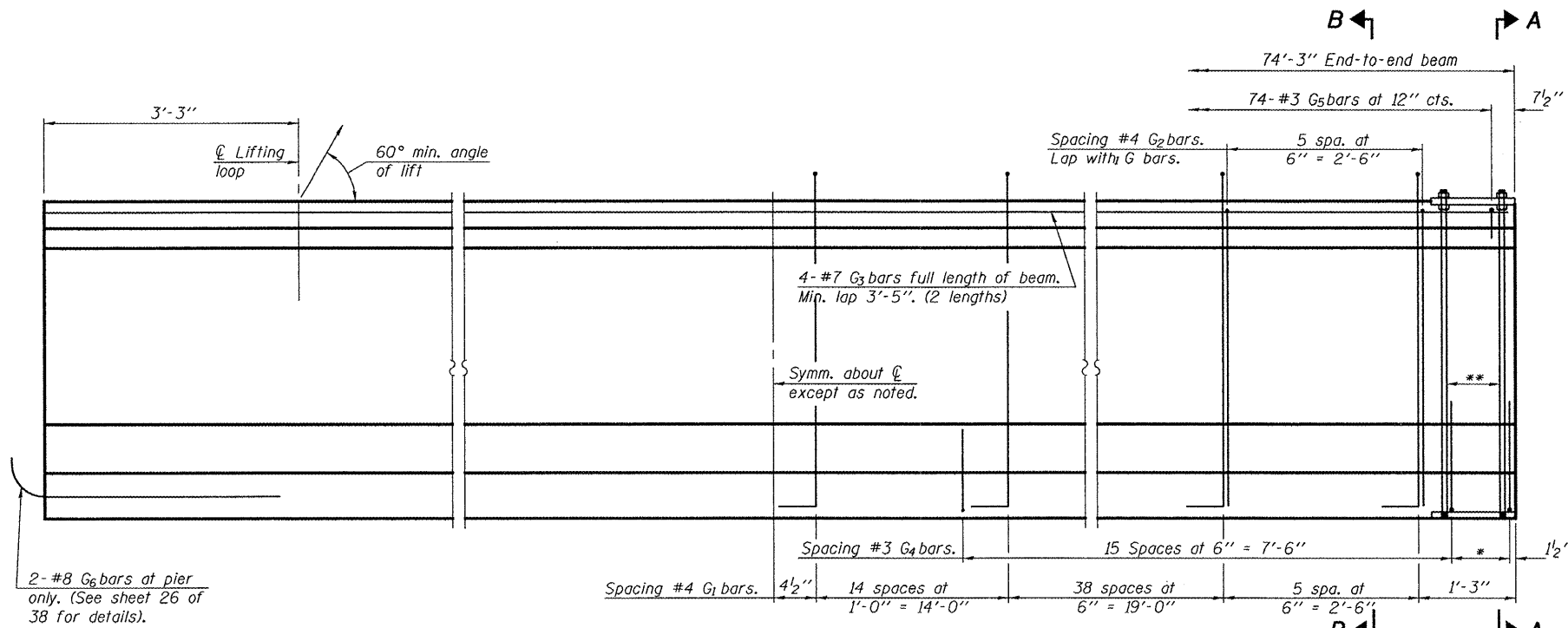


STATE OF ILLINOIS
DEPARTMENT OF TRANSPORTATION

ROUTE NO.	SECTION	COUNTY	SHEET	SHEET	SHEET NO. 25
FAP 769	110B-2	MACOUPIN	98	65	38 SHEETS
FED. ROAD DIST. NO. 7	ILLINOIS	FED. AID PROJECT			

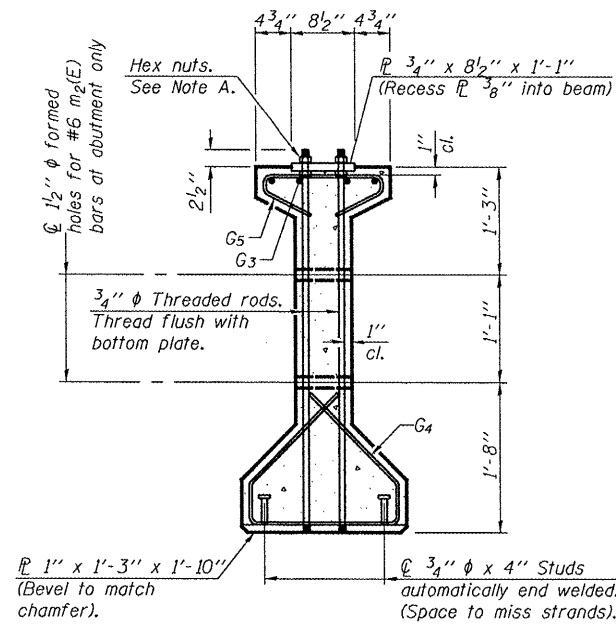
Contract #72813



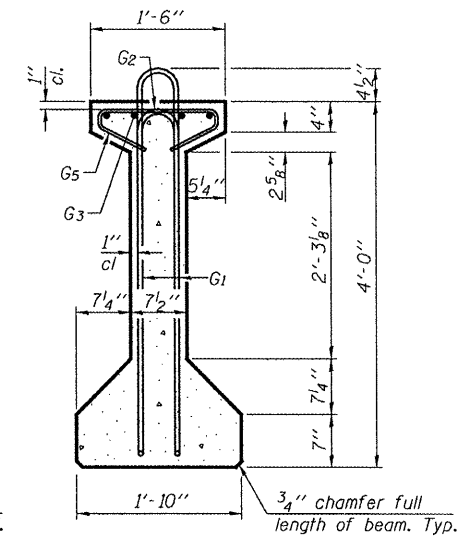
ELEVATION OF BEAM
(Showing reinforcement & dimensions)

*3 spaces at 3" = 9".
**4-3/4" ϕ threaded dowel rods at 3" cts., Each Face.

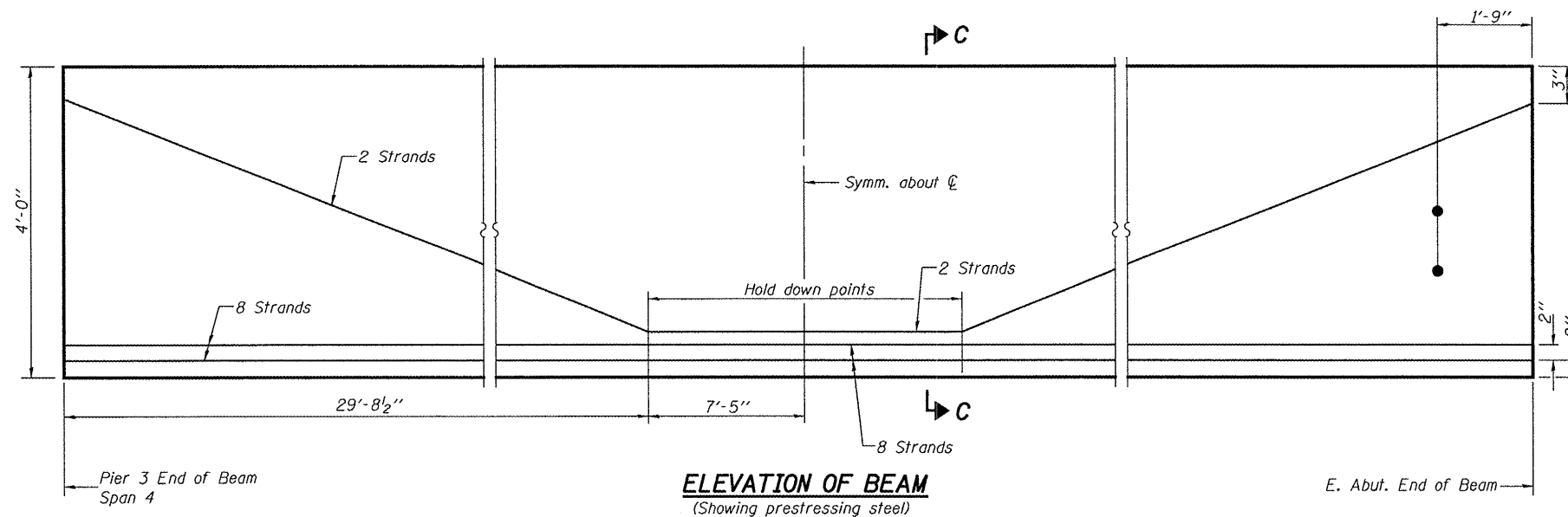
Note A:
Hex nuts (top and bottom) with lock washers (top). Only tighten sufficiently to compress lock washers.



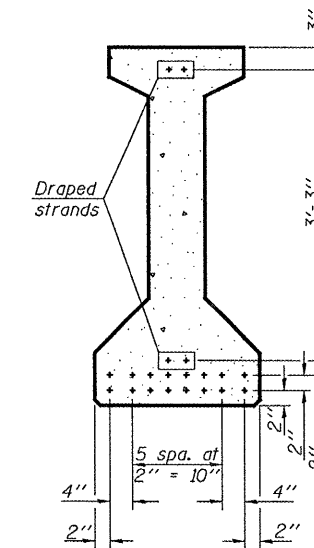
SECTION A-A



SECTION B-B



ELEVATION OF BEAM
(Showing prestressing steel)



SECTION C-C

*****BAR LIST
ONE BEAM ONLY**

Bar	No.	Size	Length	Shape
G1	116	#4	9'-6"	U
G2	12	#4	7'-11"	U
G3	8	#7	38'-9"	—
G4	38	#3	5'-3"	S
G5	74	#3	2'-9"	S
G6	2	#8	3'-9"	U

***For information only

Notes:
See sheet 26 of 38 for additional details and Bill of Material.
Required release strength, f'_{ci} , shall be 6000 psi.

DESIGNED	Tom Kurtenbach
CHECKED	Jay Edwards
DRAWN	BECKY M. LEACH
CHECKED	TK/JE

June 17, 2008
EXAMINED *Thomas J. Damgallo*
PASSED *Rafael E. Anderson*

48" PPC I-BEAM (SPAN 4)
F.A.P. ROUTE 769 - SEC. 110B-2
MACOUPIN COUNTY
STATION 104+41.00
STRUCTURE NO. 059-0509