

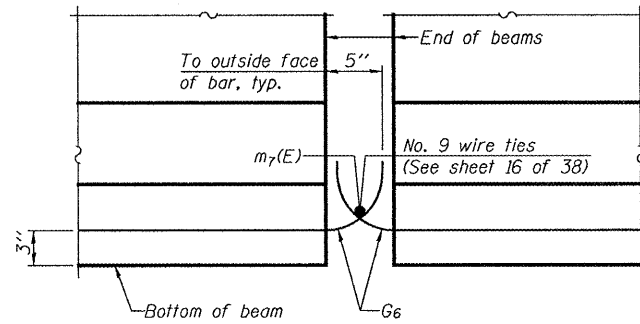
STATE OF ILLINOIS  
DEPARTMENT OF TRANSPORTATION

ROUTE NO.	SECTION	COUNTY	DISTRICT	SHEET	SHEET NO. 26
FAP 769	110B-2	MACOUPIN	98	66	38 SHEETS
FED. ROAD DIST. NO. 7	ILLINOIS	FED. AID PROJECT			

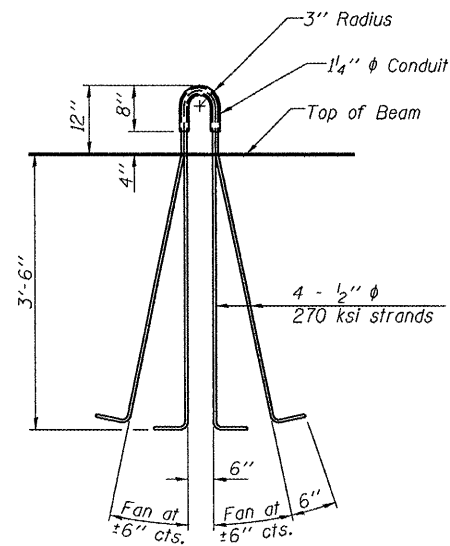
Contract #72813

**NOTES**

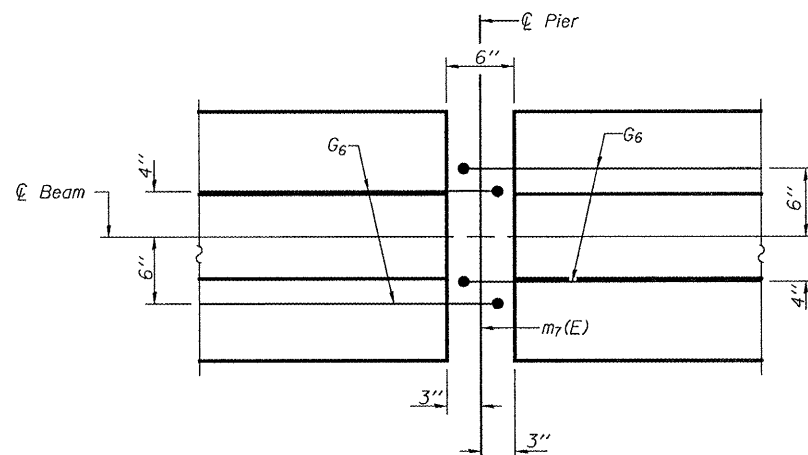
- Inserts for  $\frac{3}{4}$ "  $\phi$  threaded dowel rods, when specified, are to be two strut, coil type for interior beams and single coil, flared loop type for exterior beams.
- Prestressing steel shall be uncoated high strength, low relaxation 7-wire strand, Grade 270.
- The nominal diameter shall be  $\frac{1}{2}$ " and the nominal cross-sectional area shall be 0.153 sq. in.
- Non-prestressing steel shall conform to ASTM A 706, Grade 60. See Special Provisions.
- A minimum  $2\frac{1}{2}$ "  $\phi$  lifting pin shall be used to engage the lifting loops during handling.
- Cut  $G_6$  bars when necessary to maintain  $1\frac{1}{2}$ " clearance.
- The top and bottom plates shall be AASHTO M270 Grade 50.
- The bottom plates and studs shall be galvanized according to AASHTO M111
- Threaded rods shall be ASTM F 1554 Grade 55.



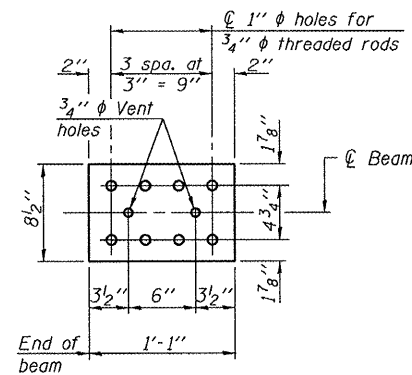
**ELEVATION OF BEAM AT PIER**



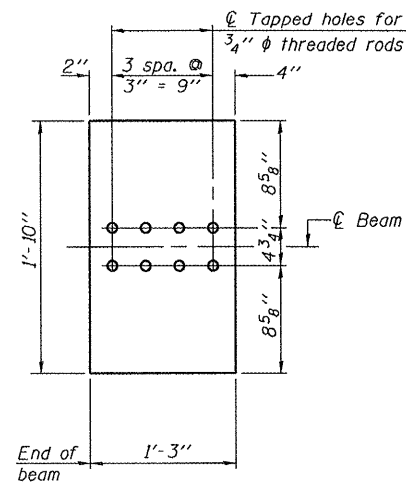
**LIFTING LOOP DETAIL**



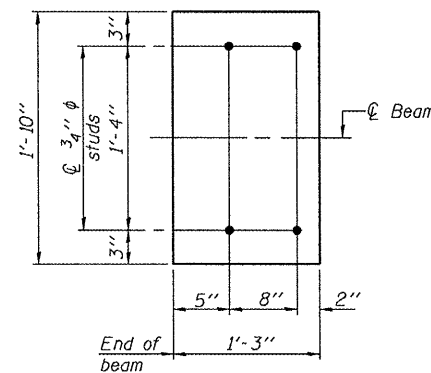
**PLAN OF BEAM AT PIER**



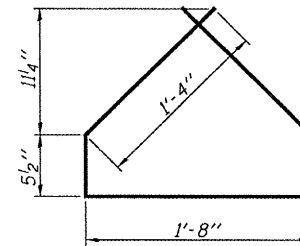
**TOP PLATE**



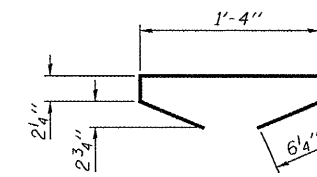
**BOTTOM PLATE**  
(Showing threaded rods)



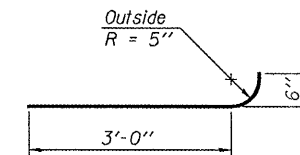
**BOTTOM PLATE**  
(Showing studs)



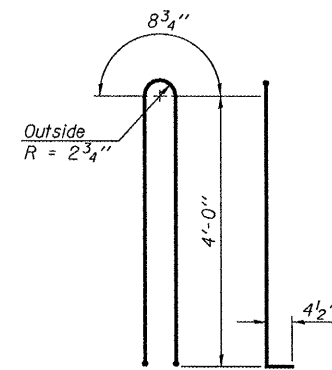
**BAR G4**



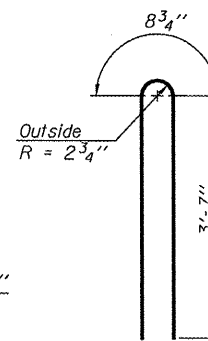
**BAR G5**



**BAR G6**



**BAR G1**



**BAR G2**

**BILL OF MATERIAL**

Item	Unit	Total
Furnishing and Erecting Precast Prestressed Concrete I-Beams, 48"	Ft.	446

**48" PPC I-BEAM DETAILS (SPAN 4)**  
**F.A.P. ROUTE 769 - SEC. 110B-2**  
**MACOUPIN COUNTY**  
**STATION 104+41.00**  
**STRUCTURE NO. 059-0509**

DESIGNED	Tom Kurtenbach
CHECKED	Jay Edwards
DRAWN	DECKY M. LEACH
CHECKED	TK/JE

June 17, 2008  
EXAMINED *Thomas J. Demagallio*  
PASSED *Rafael E. Anderson*

See bearing details for pintle hole locations when required. See sheet 18 of 38.