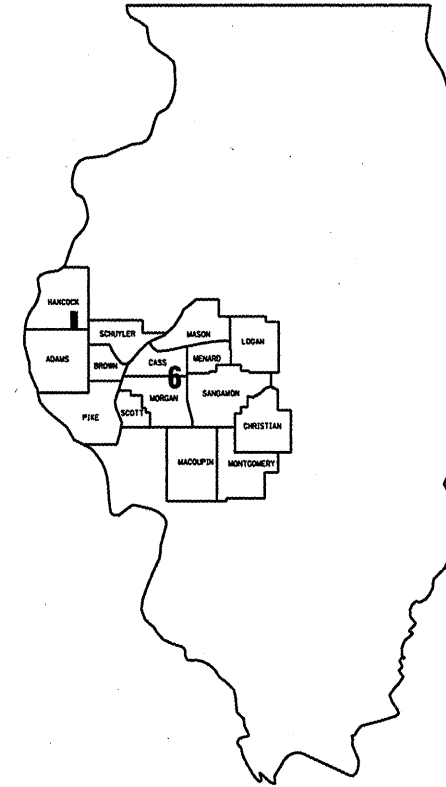


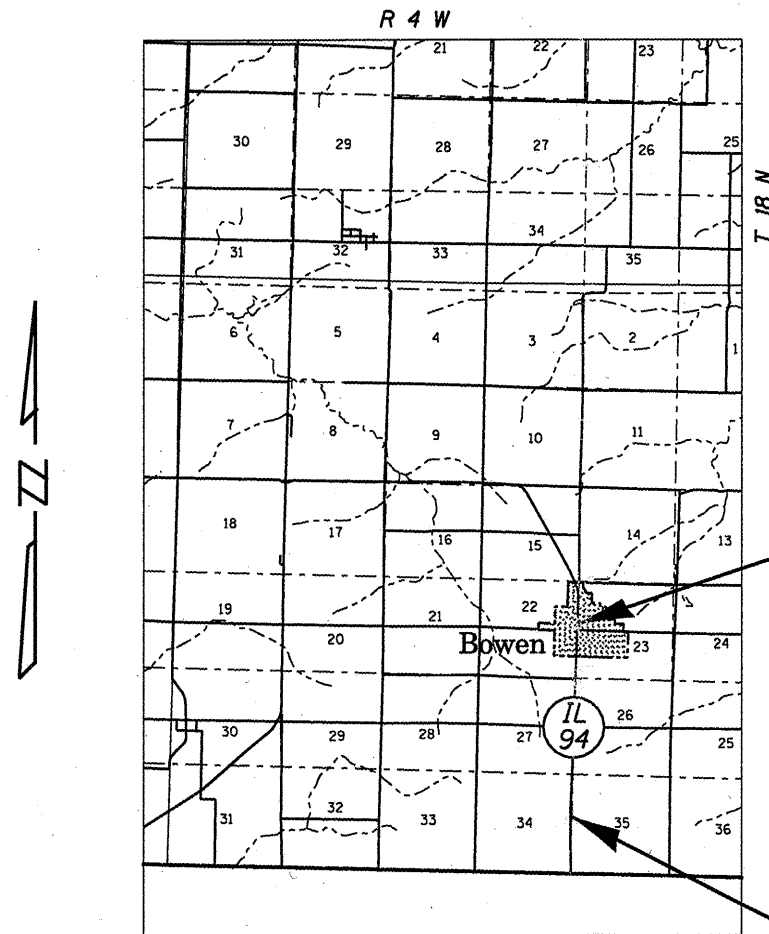
FOR INDEX OF SHEETS AND HIGHWAY
STANDARDS, SEE SHEET 2.

STATE OF ILLINOIS
DEPARTMENT OF TRANSPORTATION
DIVISION OF HIGHWAYS
**PLANS FOR PROPOSED
CONTRACT MAINTENANCE**
FAP ROUTE 733 (IL 94)
SECTION 1 RS-3
HANCOCK COUNTY
C96-088-08 / D96-088-08

CONTRACT: 72C14
SHEET 1 OF 7



LOCATION OF SECTION INDICATED THUS: ■

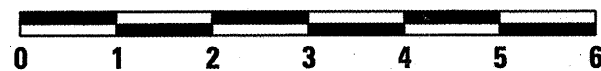


END PROJECT
STA. 139+87.75

STA. EQUATION
130+62.25bk=
134+50.00ah

BEGIN PROJECT
STA. sta. 29+50

NET LTH OF SEC 10,650 FT=2.017 MILE



SCALE: 1" = 2 MILES

J. U. L. I. E.
JOINT UTILITY LOCATION INFORMATION FOR EXCAVATION
1-800-892-0123

PLANS & CONTRACT TECHNICIAN: TIMOTHY SHARP
PHONE: (217) 782-7743

CONTRACT NO. 72C14

STATE OF ILLINOIS
DEPARTMENT OF TRANSPORTATION
DIVISION OF HIGHWAYS

SUBMITTED May 21 2008

Reg Z. Duda
DEPUTY DIRECTOR OF HIGHWAYS, REGION FOUR ENGINEER

June 27 2008

Eric E. Harnett
ENGINEER OF DESIGN AND ENVIRONMENT

June 27 2008

Christine M. Reed
DIRECTOR, DIVISION OF HIGHWAYS

PRINTED BY AUTHORITY OF THE STATE OF ILLINOIS

INDEX

- 1 COVER
- 2 INDEX/STANDARDS/SIGNATURES
- 3-4 QUANTITIES
- 5 TYPICAL SECTIONS
- 6 SCHEDULES
- 7 BUTT JOINT DETAIL

STANDARDS

- 442001-04
- 701001-01
- 701006-02
- 701011-01
- 701201-02
- 701301-02
- 701306-01
- 701311-02
- 701501-04
- 701901
- 780001-01
- 781001-02

| | |
|---|---|
| STATE OF ILLINOIS DEPARTMENT OF TRANSPORTATION DIVISION OF HIGHWAYS DISTRICT 6 | |
| EXAMINED <u>May 16</u> 20 <u>08</u> | <u>Louis J. Hoar</u> ENGINEER OF OPERATIONS |
| EXAMINED <u>May 13</u> 20 <u>08</u> | <u>L.R.A.</u> ENGINEER OF PROGRAM IMPLEMENTATION |
| EXAMINED <u>MAY 13</u> 20 <u>08</u> | <u>L.R.A.</u> ENGINEER OF PROGRAM DEVELOPMENT |

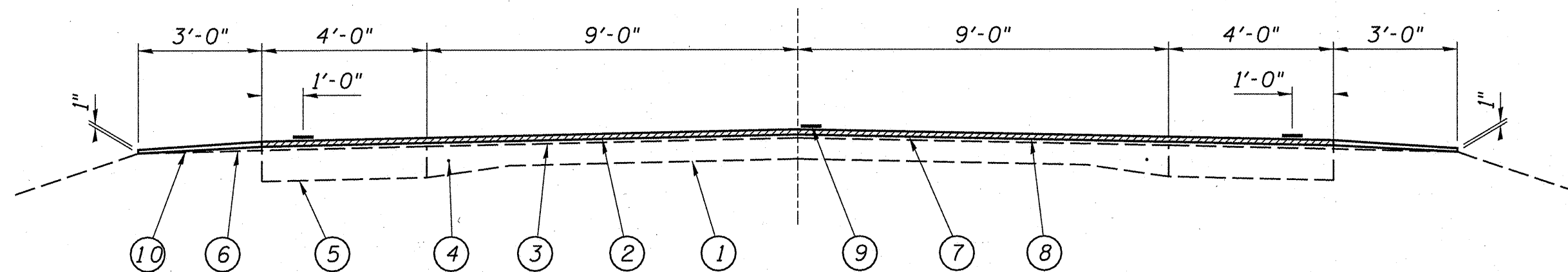
NOTE: MILLINGS FROM THIS PROJECT ARE TO BE DELIVERED TO
THE I.D.O.T. YARD - 102 SOUTH LINCOLN STREET - CARTHAGE, IL.
CONTACT PERSON - BRENT GRONWOLD - (217)653-1862

INDEX/STANDARDS/SIGNATURES
FAP 733 (IL 94)
SECTION 1 RS-3
HANCOCK COUNTY

S U M M A R Y O F Q U A N T I T I E S

| CODE NO. | ITEM | UNIT | 100% STATE |
|----------|---|-------|------------|
| | | | 1000 |
| | | | TOTAL QTY |
| 40600200 | BITUMINOUS MATERIALS (PRIME COAT) | TON | 11.7 |
| 40600300 | AGGREGATE (PRIME COAT) | TON | 61.6 |
| 40600895 | CONSTRUCTING TEST STRIP | EACH | 1 |
| 40600990 | TEMPORARY RAMP | SQ YD | 29 |
| 40603310 | HOT-MIX ASPHALT SURFACE COURSE, MIX`C", N50 | TON | 2,585 |
| 44000155 | HOT-MIX ASPHALT SURFACE REMOVAL, 1 1/2" | SQ YD | 30,767 |
| 44200144 | PAVEMENT PATCHING, TYPE II, 12 INCH | SQ YD | 300 |
| 44200148 | PAVEMENT PATCHING, TYPE III, 12 INCH | SQ YD | 300 |
| 44200150 | PAVEMENT PATCHING, TYPE IV, 12 INCH | SQ YD | 150 |
| 48101200 | AGGREGATE SHOULDERS, TYPE B | TON | 505 |
| 67100100 | MOBILIZATION | L SUM | 1 |
| 70100450 | TRAFFIC CONTROL AND PROTECTION, STANDARD 701201 | L SUM | 1 |
| 70100460 | TRAFFIC CONTROL AND PROTECTION, STANDARD 701306 | L SUM | 1 |
| | | | |
| | | | |
| | | | |
| | | | |

QUANTITIES
FAP 733 (IL 94)
SECTION 1 RS-3
HANCOCK COUNTY



LEGEND

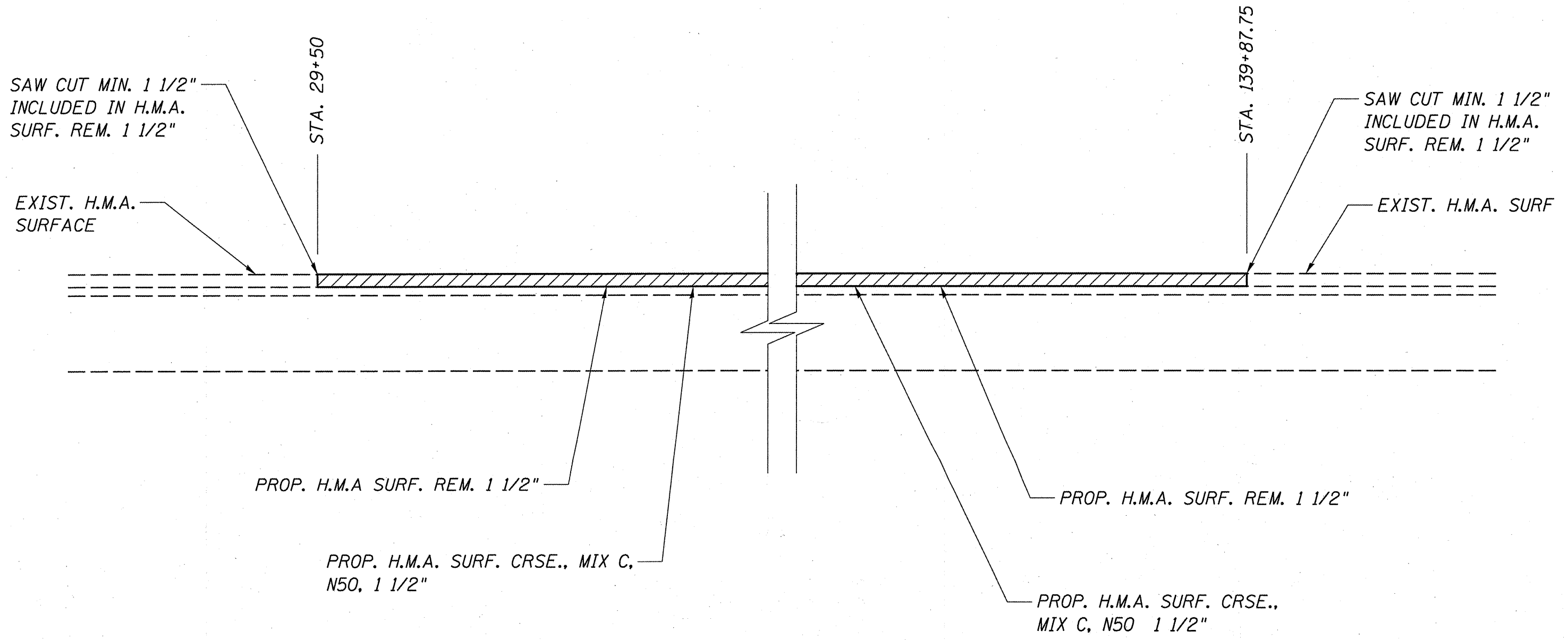
- 1 - EXIST. P.C.C. PAVEMENT 9-6-9
- 2 - EXIST. H.M.A. SURFACE 1 1/2"
- 3 - EXIST. LEVELING BINDER 1"
- 4 - EXIST. 3/4" SMOOTH EDGEBAR
- 5 - EXIST. H.M.A. BASE COURSE WIDENING 9"
- 6 - EXIST. AGGREGATE SHOULDERS, TYPE B
- 7 - PROP. H.M.A. SURFACE COURSE, MIX C, N50 1 1/2"
- 8 - PROP. H.M.A. SURFACE REMOVAL 1 1/2"
- 9 - PROP. PAINT PAVEMENT MARKING - LINE 5"
- 10 - PROP. AGGREGATE SHOULDERS, TYPE B

TYPICAL SECTION
FAP 733 (IL 94)
SECTION 1 RS-3
HANCOCK COUNTY

| PAVEMENT MARKING SCHEDULE | | | |
|---|-----------|------------------|-------------|
| STATION | TYPE | PAINT PAV'T MRKG | |
| | | LINE 5" | |
| | | YELLOW | WHITE |
| LT & RT 29+50 TO 130+62.25 STA. EQ. 130+62.25bk=134+50ah | EDGE LINE | | 20,224.5 FT |
| LT & RT 134+50 TO 139+87.75 | EDGE LINE | | 1,075.5 FT |
| LT & RT 29+50 TO 130+62.25 STA. EQ. 130+62.25bk=134+50ah | SKIP DASH | 2,530 FT | |
| LT & RT 134+50 TO 139+87.75 | SKIP DASH | 140 FT | |
| DEDUCT FOR SIDE ROADS | | | (290 FT) |
| TOTALS | | 2,670 FT | 21,010 FT |

| MIXTURE REQUIREMENTS | |
|--|-------------------------|
| THE FOLLOWING MIXTURE REQUIREMENTS ARE APPLICABLE FOR THIS PROJECT | |
| MIXTURE USE(S): | H.M.A. S.C., MIX C, N50 |
| AC/PG | PG 64-22 |
| DESIGN AIR VOIDS: | 4.0% @ N DESIGN = 50 |
| MIXTURE COMP: | IL 9.5 OR 12.5 |
| FRICITION AGG: | MIX "C" |

SCHEDULES
 FAP 733 (IL 94)
 SECTION 1 RS-3
 HANCOCK COUNTY



BUTT JOINT
FAP 733 (IL 94)
SECTION 1 RS-3
HANCOCK COUNTY