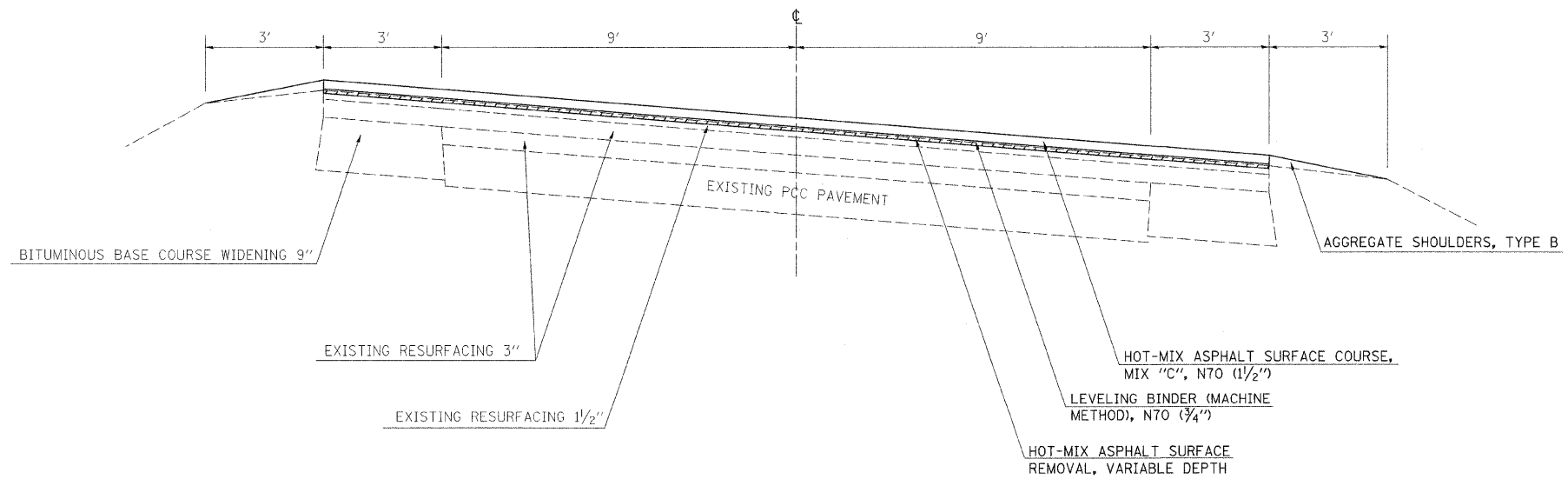


TYPICAL CROSS SECTION

STA. 15+00 TO STA. 9+14



TYPICAL CROSS SECTION

STA. 8+07 TO STA. 5+05

FILE NAME = c:\projects\74057\d\sh\typical.74057.dgn	USER NAME = swartzw	DESIGNED -	REVISED -
		DRAWN -	REVISED -
	PLOT SCALE = 20.0000' / IN.	CHECKED -	REVISED -
	PLOT DATE = 5/14/2008	DATE -	REVISED -

**STATE OF ILLINOIS
DEPARTMENT OF TRANSPORTATION**

TYPICAL CROSS SECTIONS

SCALE: NA SHEET NO. 6 OF 7 SHEETS STA. TO STA.

F.A.S. RTE.	SECTION	COUNTY	TOTAL SHEETS	SHEET NO.
2793	(O,P,YRS-1	FAYETTE	52	10
FED. ROAD DIST. NO. ILLINOIS FED. AID PROJECT			CONTRACT NO. 74057	