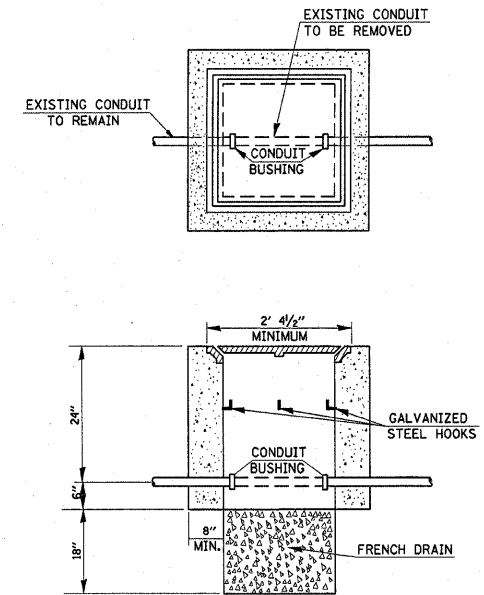


DEATIL G
SERVICE INSTALLATION, TYPE A
NOT TO SCALE

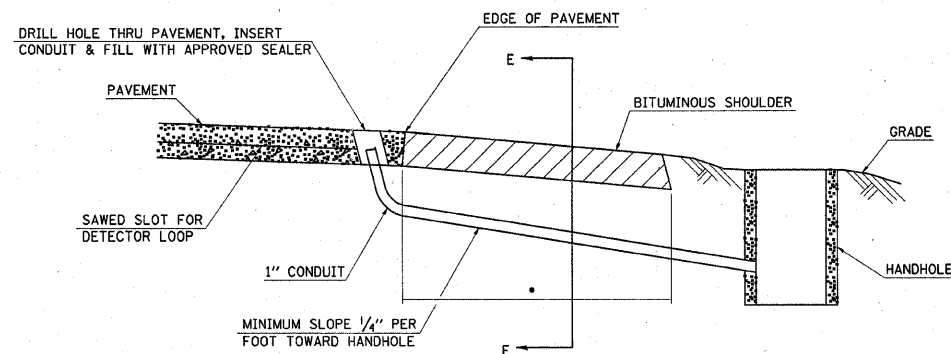


DETAIL I
HANDHOLE TO INTERCEPT EXISTING CONDUIT*

* NOT A PAY ITEM

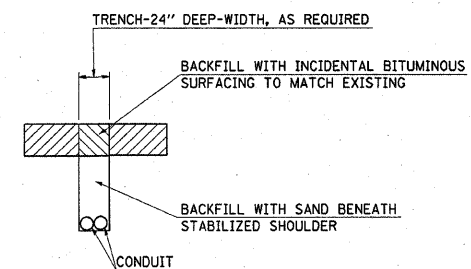
NOTES:

1. REMOVAL OF EXISTING CONDUIT FROM THE HANDHOLE AND THE INSTALLATION OF THE CONDUIT BUSHING SHALL BE INCIDENTAL TO THE HANDHOLE.
2. THE CONTRACTOR SHALL BE PAID TO LOCATE THE CONDUIT UNDER OTHER PROVISIONS OF THIS CONTRACT. SEE LOCATING UNDERGROUND CABLE IN THE STANDARD SPECIFICATIONS.



• LIMITS OF "TRENCH AND BACKFILL FOR ELECTRICAL WORK (SPECIAL)"

DETAIL H
TRENCH AND BACKFILL FOR ELECTRICAL WORK (SPECIAL)
(NO SCALE)



SEC. E-E

FILE NAME =	USER NAME = keplard	DESIGNED -	REVISD -
et\projects\view\ed09707\electrical\sp1009707.dgn		DRAWN -	REVISD -
		CHECKED -	REVISD -
		DATE -	REVISD -

STATE OF ILLINOIS
DEPARTMENT OF TRANSPORTATION

TRAFFIC SIGNAL DETAILS

SCALE: SHEET NO. 4 OF 9 SHEETS STA. TO STA.

F.A.U. RTE.	SECTION	COUNTY	TOTAL SHEETS	SHEET NO.
9111	73-15TS	MADISON	64	38
CONTRACT NO. 76B22			ILLINOIS FED. AID PROJECT	