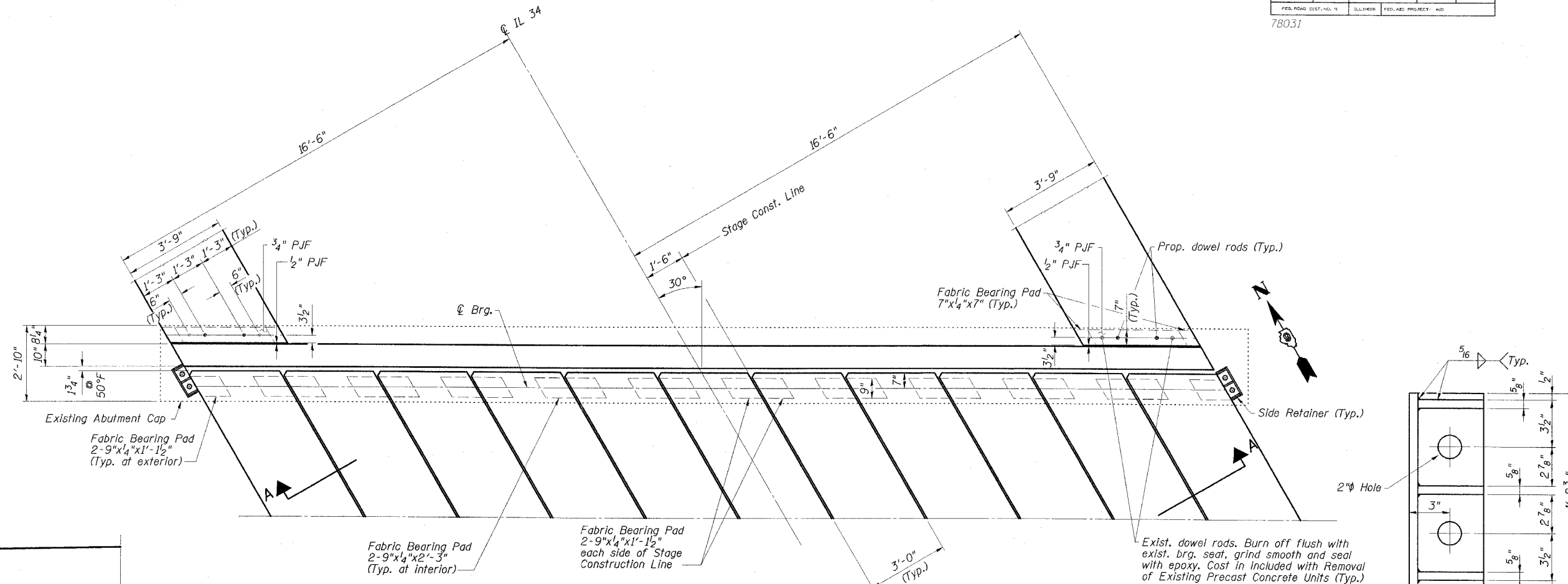
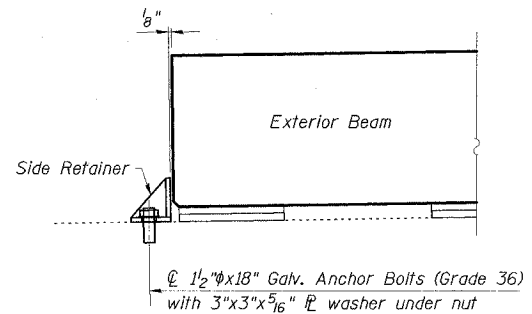


STATE OF ILLINOIS
DEPARTMENT OF TRANSPORTATION

ROUTE NO.	SECTION	COUNTY	SHEETS	SHEET	SHEET NO. 15 18 SHEETS
FAP 869	105BR-1	SALINE	118	37	
FED. ROAD DIST. NO. 4		ILLINOIS	FED. AID PROJECT - AID		78031



ABUTMENT BEARING SEAT PLAN
(Concrete Wearing Surface and approach pavement not shown)



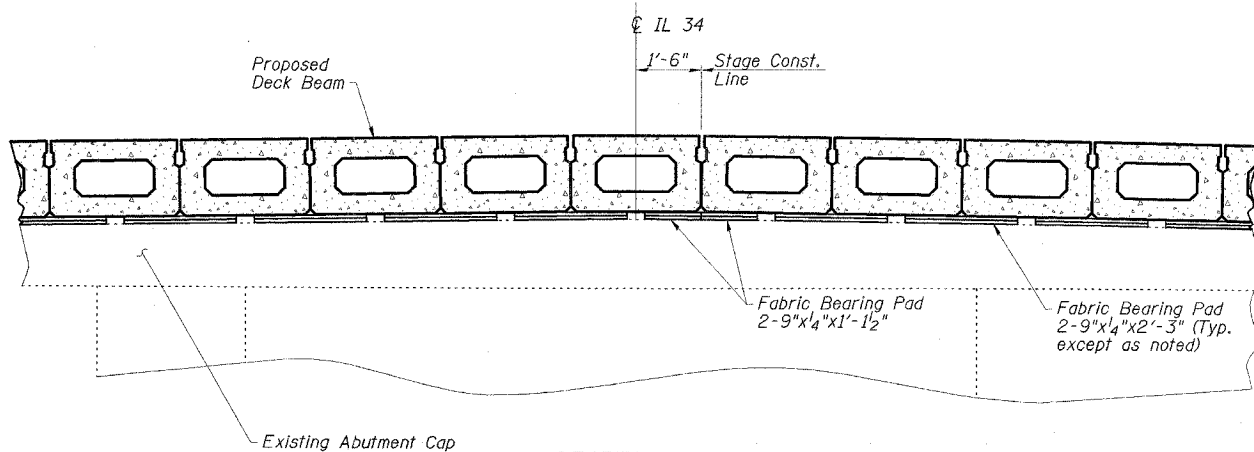
EXTERIOR BEAM RETAINER DETAILS
(2 Required)

Cost of Retainer Angles, Anchor Bolts & accessories are included with Precast Prestressed Concrete Deck Beams.

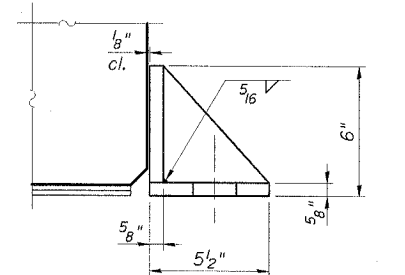
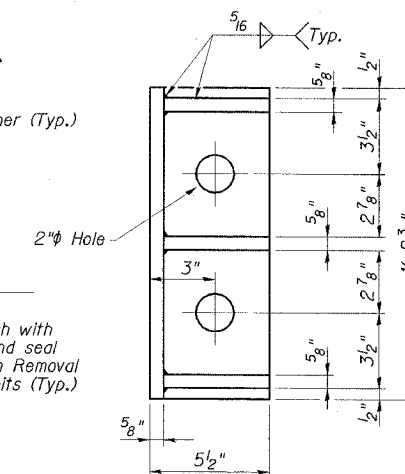
Fill 1/8" gap with shim to provide temporary lateral support until shear keys have been grouted and concrete wearing surface has been placed.

Anchor bolts shall be ASTM F1554 all-thread (or an Engineer-approved alternate material) of the grade(s) and diameter(s) specified. ASTM A307 Grade C anchor bolts may be used in lieu of ASTM F1554 Grade 36 (Fy=36kts). The corresponding specified grade of AASHTO M314 anchor bolts may be used in lieu of ASTM F1554.

Drilled and set anchor bolts shall be installed according to Article 521.06 of the Standard Specifications.



SECTION A-A
(Concrete Wearing Surface not shown)



NORTH ABUTMENT DETAILS
IL 34 OVER
MIDDLE FORK SALINE RIVER OVERFLOW
FAP ROUTE 869 - SECTION 105BR-1
SALINE COUNTY
STATION 1542+00.00
STRUCTURE NO. 083-0037

ESCA
CONSULTANTS, INC.

DESIGNED BY:	JMS	02/08
DRAWN BY:	HAS	02/08
CHECKED BY:	ELH	02/08
APPROVED BY:	RDP	02/08