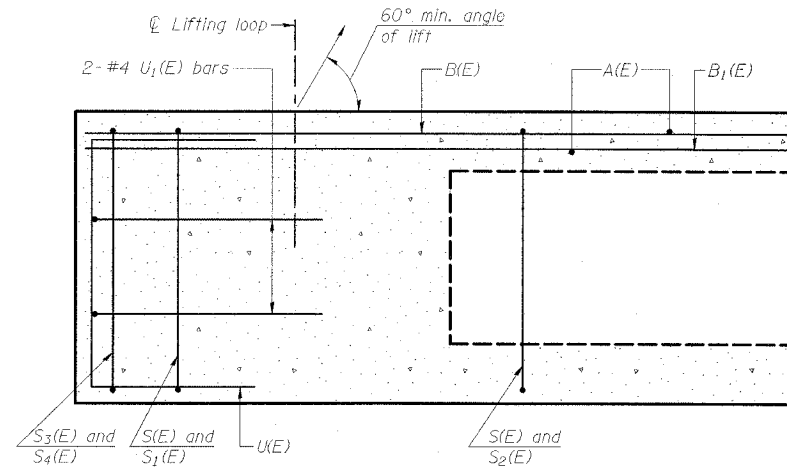


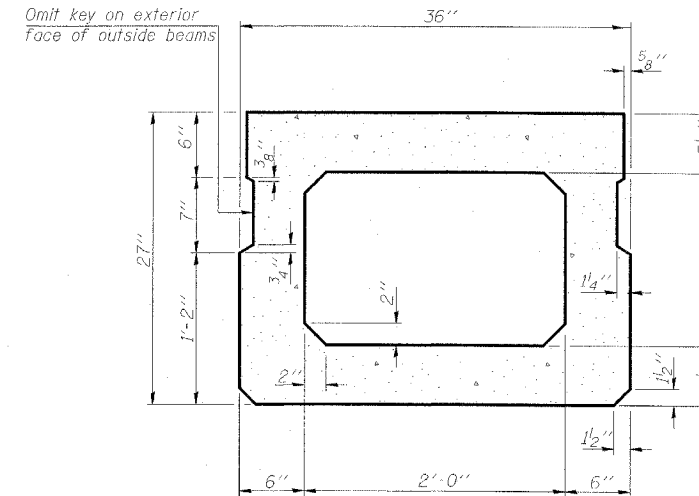
STATE OF ILLINOIS  
DEPARTMENT OF TRANSPORTATION

ROUTE NO.	SECTION	COUNTY	POST MILES	SHEET NO.	SHEET NO. 8 23 SHEETS
FAP 869	105BR-2	SALINE	118	57	
FED. ROAD DIST. NO. 1	ILLINOIS	FED. AID PROJECT - 401			

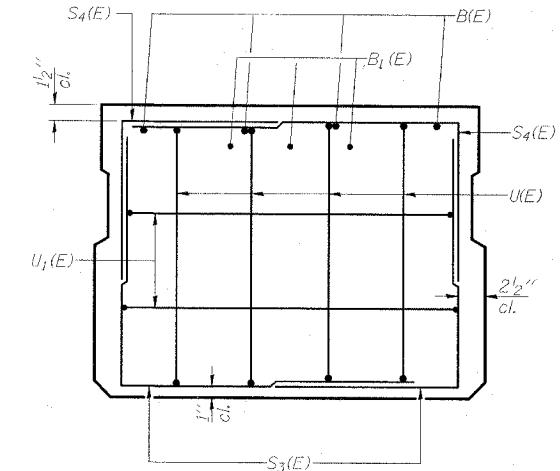
78031



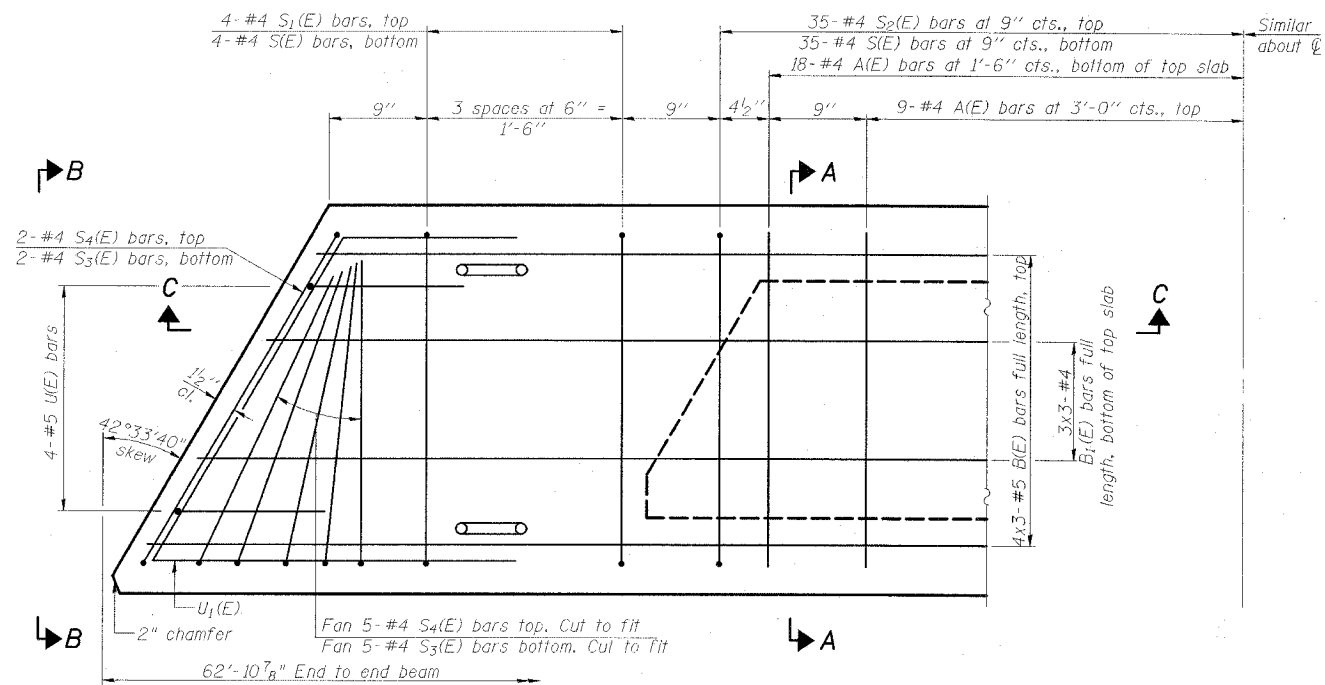
SECTION C-C



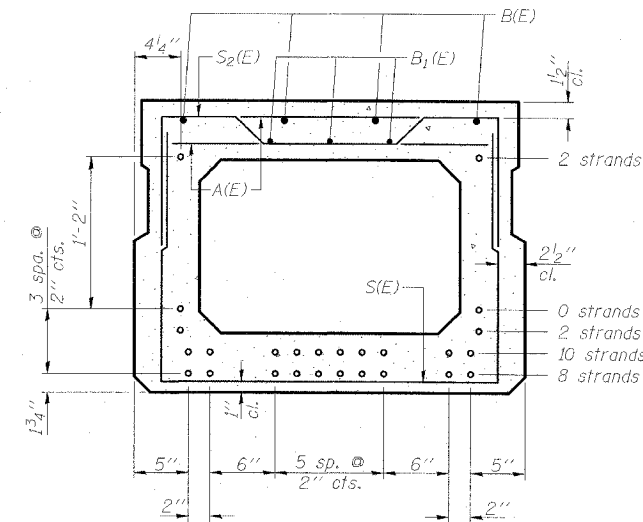
SECTION A-A  
(Showing dimensions)



VIEW B-B



PLAN VIEW



SECTION A-A  
(Showing reinforcement and permissible strand locations)

22 - 1/2"  $\phi$  Strands, each strand stressed to 30,900 lbs  
Note: Place the number of strands specified in each row symmetrically about the centerline of beam in the permissible strand locations shown.

MIN. BAR LAP  
#5 bar = 2'-2"

27"x36"  
BAR LIST  
ONE BEAM ONLY  
(For Information only)

Bar	No.	Size	Length	Shape
A(E)	54	#4	2'-7"	—
B(E)	12	#5	22'-4"	—
B1(E)	9	#4	22'-0"	—
S(E)	78	#4	6'-5"	U
S1(E)	8	#4	6'-3"	U
S2(E)	70	#4	6'-6"	U
S3(E)	14	#4	5'-5"	J
S4(E)	14	#4	5'-0"	J
UK(E)	8	#5	4'-6"	C
U1(E)	4	#4	8'-2"	C

Note: See sheet 9 of 23 for additional details and Bill of Material.

Notes: 1. Spacing of S(E) and S2(E) bars may be adjusted up to 4" in the immediate area of the transverse tie diaphragms to miss the block outs for the transverse ties.

2. Adjust reinforcement locations to clear dowel holes at fixed ends.

**ESCA**  
CONSULTANTS, INC.

DESIGNED BY:	JMS	02/08
DRAWN BY:	HAS	02/08
CHECKED BY:	ELH	04/08
APPROVED BY:	RDP	04/08

SUPERSTRUCTURE DETAILS - SPAN 2

IL 34 OVER

MIDDLE FORK SALINE RIVER

FAP ROUTE 869 - SECTION 105BR-2

SALINE COUNTY

STATION 1561+70.00

STRUCTURE NO. 083-0038