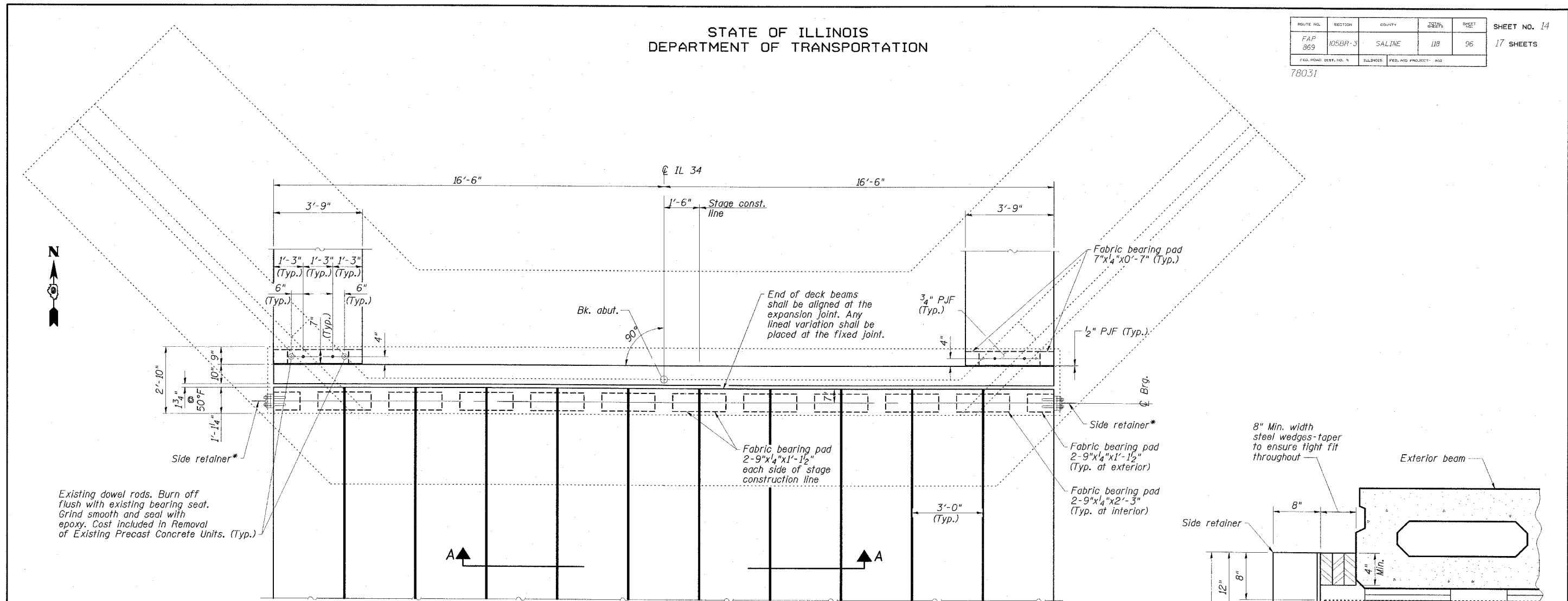


STATE OF ILLINOIS
DEPARTMENT OF TRANSPORTATION

ROUTE NO.	SECTION	COUNTY	STATION	SHEET	SHEET NO. 14 17 SHEETS
FAP 869	105BR-3	SALINE	118	96	
FED. ROAD DIST. NO. 9	ILLINOIS	FED. AID PROJECT - AID			

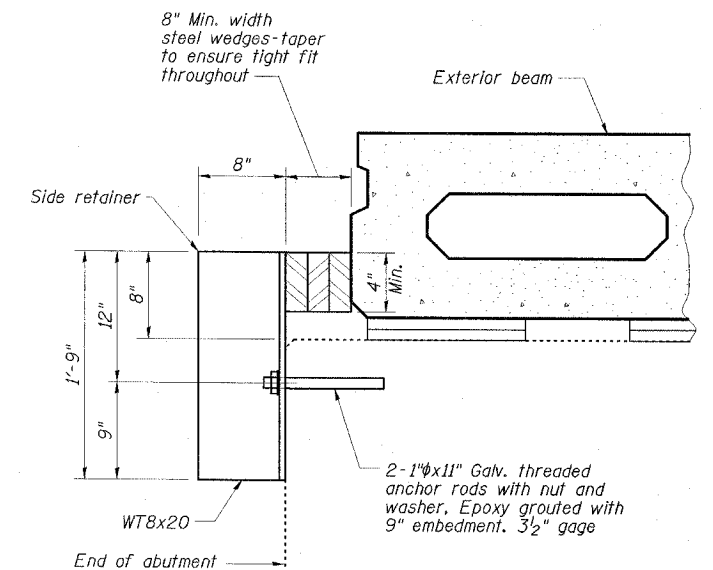
78031



ABUTMENT BEARING SEAT PLAN

N. Abut. shown; S. Abut. similar
(Concrete Wearing Surface and approach pavement not shown)

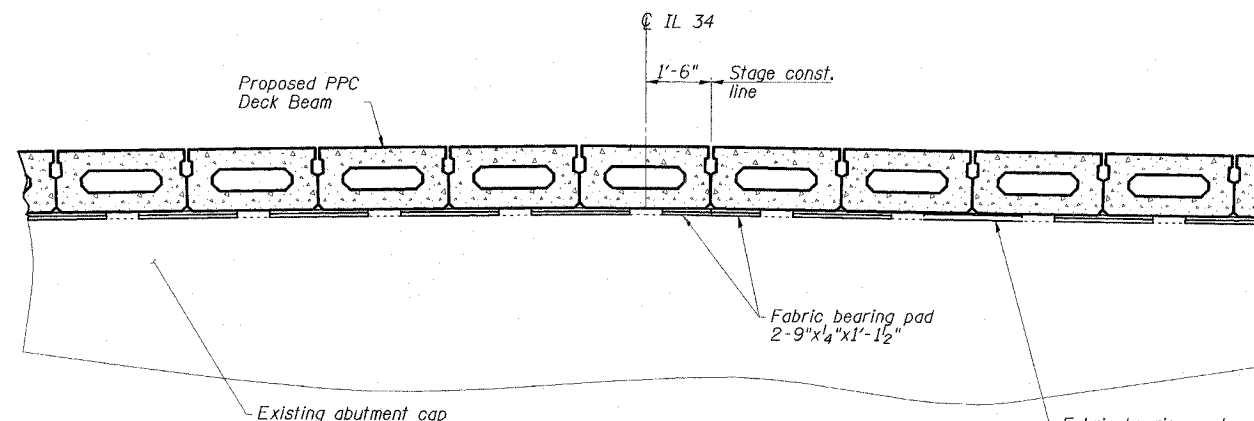
* Locate side retainers at \bar{C} bearing, except adjust location as directed by the Engineer to clear existing name plate.



EXTERIOR BEAM SIDE RETAINER DETAILS

(4 Required)

Cost of retainer & accessories are included with Precast Prestressed Concrete Deck Beams.



SECTION A-A

(Concrete Wearing Surface not shown)

ESCA
CONSULTANTS, INC.

DESIGNED BY:	ELH	02/08
DRAWN BY:	HAS	02/08
CHECKED BY:	ELH	02/08
APPROVED BY:	RDP	02/08

ABUTMENT DETAILS
IL 34 OVER BANKSTON FORK AND
SALINE RIVER OVERFLOW
FAP ROUTE 869 - SECTION 105BR-3
SALINE COUNTY
STATION 1574+00.00
STRUCTURE NO. 083-0039