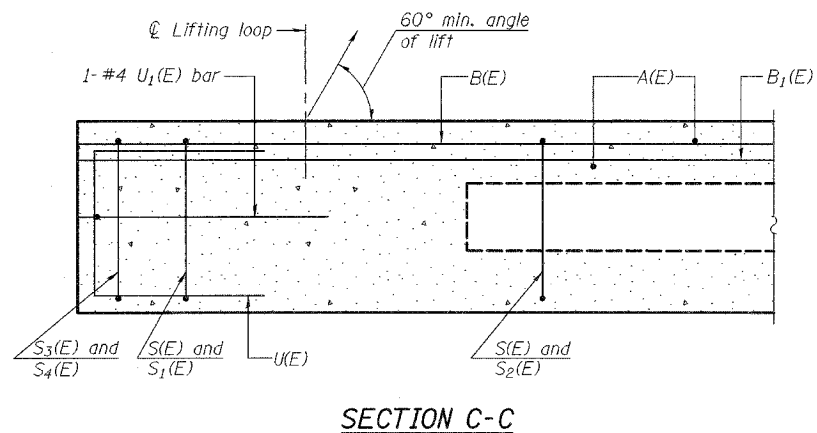


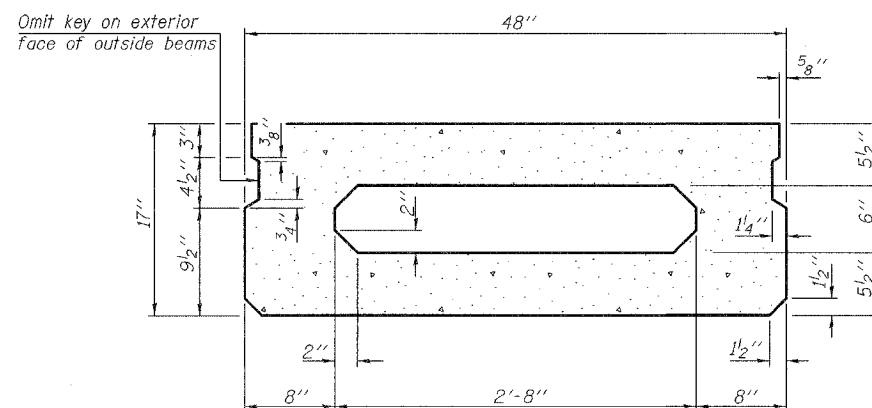
STATE OF ILLINOIS
DEPARTMENT OF TRANSPORTATION

ROUTE NO.	SECTION	COUNTY	TOTAL SHEETS	SHEET NO.	SHEET NO. 5
F.A.S. 1907	21BR-1	ALEXANDER	82	17	16 SHEETS
FED. ROAD DIST. NO. 7	ILLINOIS	FED. AID PROJECT			

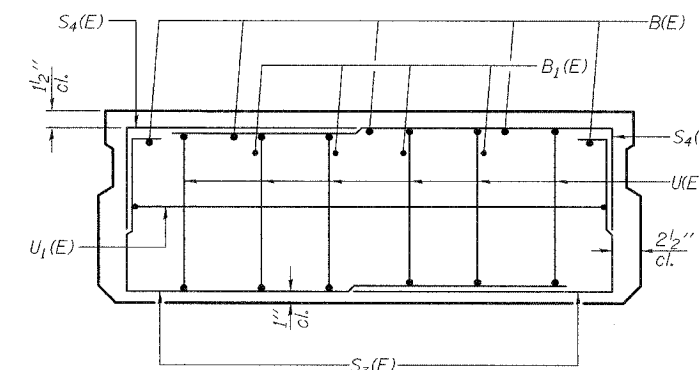
Contract #78032



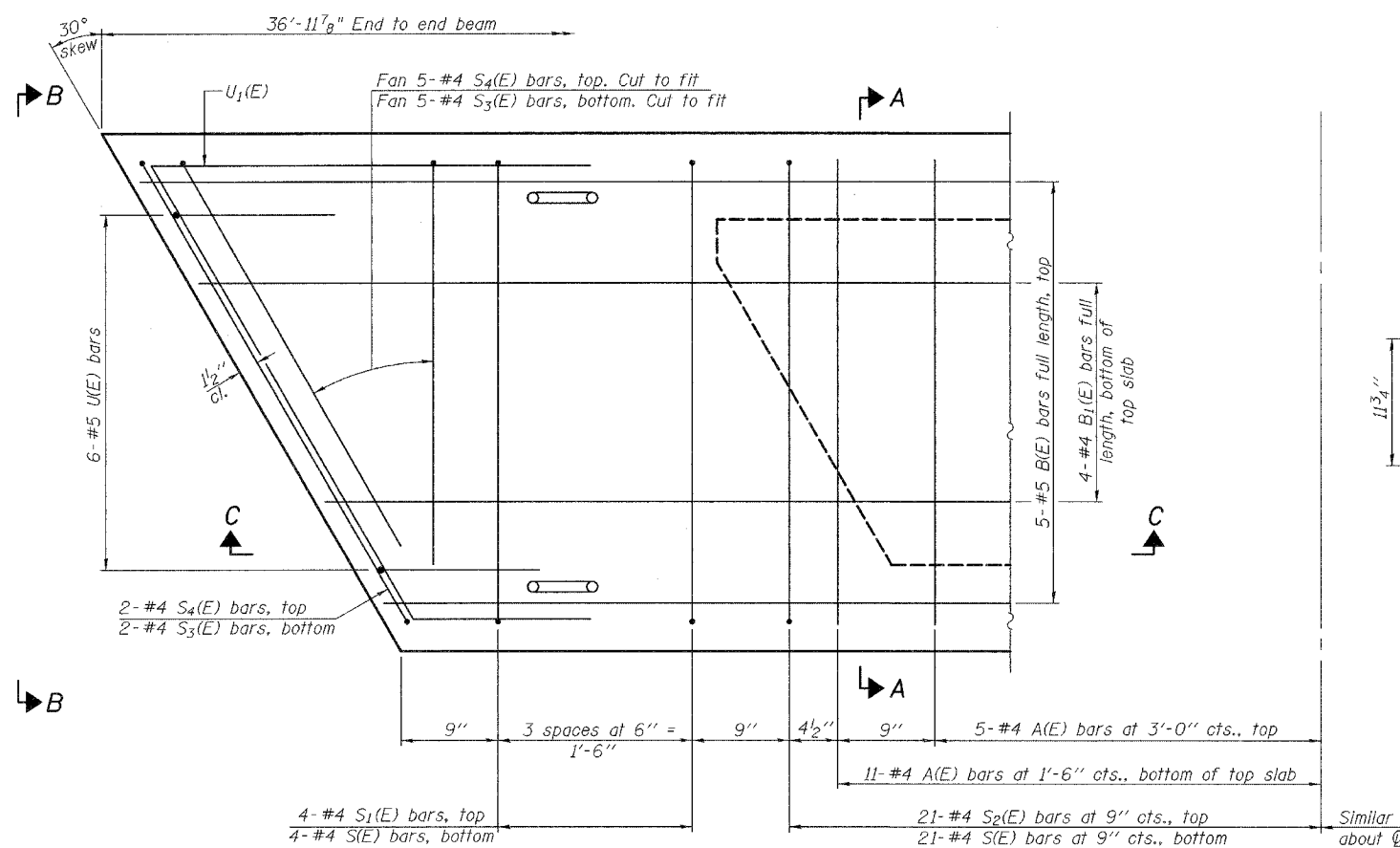
SECTION C-C



SECTION A-A
(Showing dimensions)

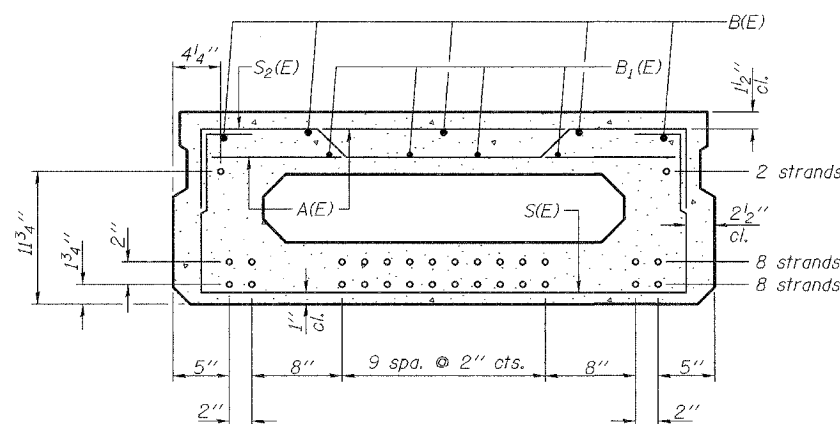


VIEW B-B



PLAN VIEW
(24 Required)

Note: Spacing of S(E) and S2(E) bars may be adjusted up to 4" in the immediate area of the transverse tie diaphragms to miss the block outs for the transverse ties.



SECTION A-A
(Showing reinforcement and permissible strand locations)

Note: Place the number of strands specified in each row symmetrically about the centerline of beam in the permissible strand locations shown.

BAR LIST
ONE BEAM ONLY
(For information only)

Bar	No.	Size	Length	Shape
A(E)	32	#4	3'-7"	—
B(E)	5	#5	36'-8"	—
B1(E)	4	#4	36'-8"	—
S(E)	50	#4	6'-9"	—
S1(E)	8	#4	5'-11"	┌
S2(E)	42	#4	6'-2"	┌
S3(E)	14	#4	5'-8"	┌
S4(E)	14	#4	5'-3"	┌
U(E)	12	#5	3'-8"	┌
U1(E)	2	#4	7'-8"	┌

Note: See Sheet 6 of 16 for additional details and Bill of Material.



DESIGNED	YSS
CHECKED	RLM
DRAWN	PRC
CHECKED	YSS

03/04/08

17" X 48" DECK BEAM
ILL. ROUTE 127 OVER HOGSKIN CREEK
F.A.S. ROUTE 1907 - SECTION 21BR-1
ALEXANDER COUNTY
STATION 281+60.00
STRUCTURE NO. 002-0028