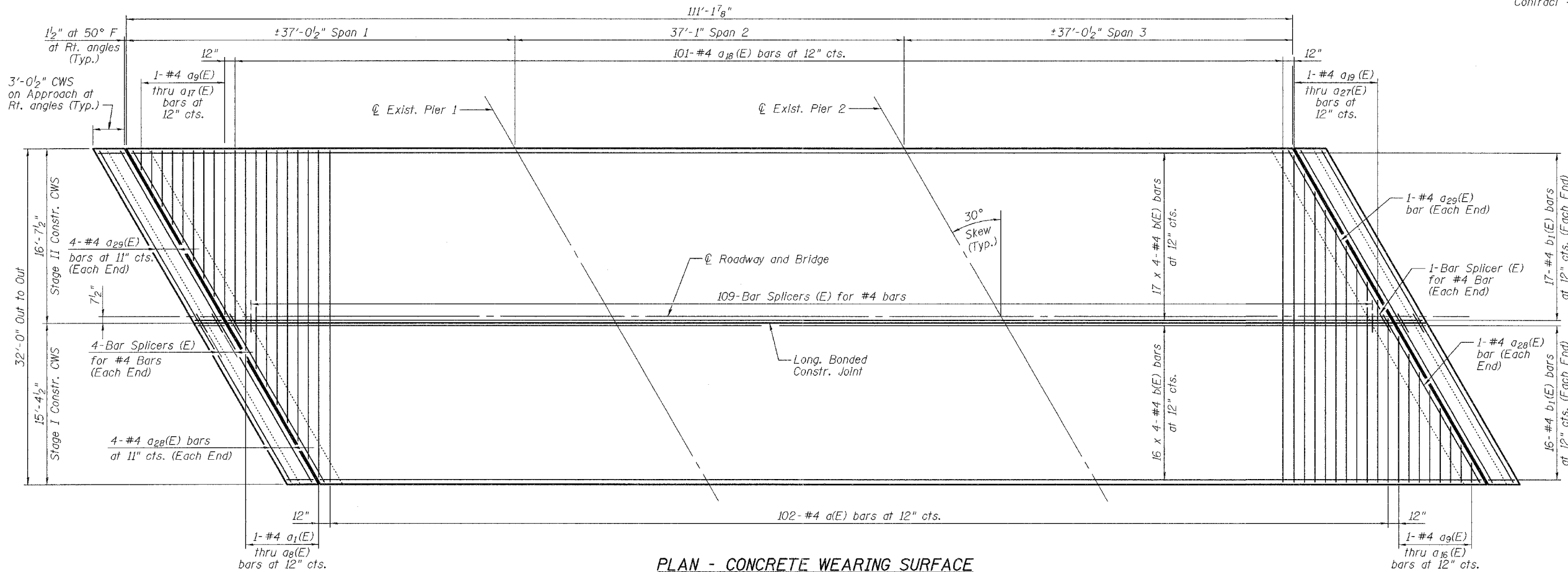


STATE OF ILLINOIS
DEPARTMENT OF TRANSPORTATION

ROUTE NO.	SECTION	COUNTY	TOTAL SHEETS	SHEET NO.	SHEET NO. 8
F.A.S. 1907	21BR-1	ALEXANDER	82	20	16 SHEETS
FED. ROAD DIST. NO. 7	ILLINOIS	FED. AID PROJECT-			

Contract #78032



PLAN - CONCRETE WEARING SURFACE

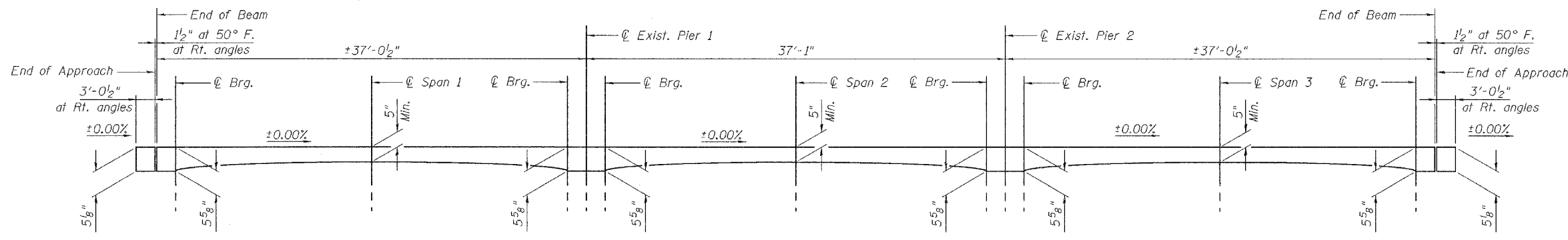
Min. Bar Lap: #4 Bars - 1'-4"
Note: Concrete wearing surface to be poured after grouting the shear keys.

BILL OF MATERIAL

Bar	No.	Size	Length	Shape
a(E)	102	#4	15'-7"	U
a1(E)	1	#4	3'-2"	U
a2(E)	1	#4	4'-11"	U
a3(E)	1	#4	6'-8"	U
a4(E)	1	#4	8'-4"	U
a5(E)	1	#4	10'-1"	U
a6(E)	1	#4	11'-10"	U
a7(E)	1	#4	13'-7"	U
a8(E)	1	#4	15'-4"	U
a9(E)	2	#4	3'-0"	U
a10(E)	2	#4	4'-9"	U
a11(E)	2	#4	6'-5"	U
a12(E)	2	#4	8'-2"	U
a13(E)	2	#4	9'-11"	U
a14(E)	2	#4	11'-8"	U
a15(E)	2	#4	13'-5"	U
a16(E)	2	#4	15'-1"	U
a17(E)	1	#4	16'-10"	U
a18(E)	101	#4	16'-10"	U
a19(E)	1	#4	2'-8"	U
a20(E)	1	#4	4'-5"	U
a21(E)	1	#4	6'-2"	U
a22(E)	1	#4	7'-11"	U
a23(E)	1	#4	9'-7"	U
a24(E)	1	#4	11'-4"	U
a25(E)	1	#4	13'-1"	U
a26(E)	1	#4	14'-10"	U
a27(E)	1	#4	16'-7"	U
a28(E)	10	#4	18'-0"	U
a29(E)	10	#4	19'-5"	U
b(E)	132	#4	29'-0"	—
b1(E)	66	#4	3'-3"	—

Reinforcement Bars, Epoxy Coated	Pound	5370
Concrete Wearing Surface, 5"	Sq. Yd.	421
Bridge Deck Grooving	Sq. Yd.	421
Protective Coat	Sq. Yd.	421

Bars indicated thus 1 x 3-#4 etc. indicates 1 line of bars with 3 lengths per line.



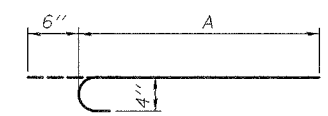
CONCRETE WEARING SURFACE PROFILE



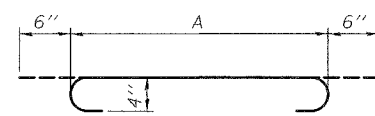
DESIGNED	YSS
CHECKED	RLM
DRAWN	PRC
CHECKED	YSS

03/04/08

Bar	A	Bar	A	Bar	A
a(E)	15'-1"	a10(E)	3'-9"	a20(E)	3'-11"
a1(E)	2'-8"	a11(E)	5'-5"	a21(E)	5'-8"
a2(E)	4'-5"	a12(E)	7'-2"	a22(E)	7'-5"
a3(E)	6'-2"	a13(E)	8'-11"	a23(E)	9'-1"
a4(E)	7'-10"	a14(E)	10'-8"	a24(E)	10'-10"
a5(E)	9'-7"	a15(E)	12'-5"	a25(E)	12'-7"
a6(E)	11'-4"	a16(E)	14'-1"	a26(E)	14'-4"
a7(E)	13'-1"	a17(E)	15'-10"	a27(E)	16'-1"
a8(E)	14'-10"	a18(E)	16'-4"	a28(E)	17'-6"
a9(E)	2'-0"	a19(E)	2'-2"	a29(E)	18'-11"



**BARS a(E) THRU a8(E) and
BARS a18(E) THRU a29(E)**



BARS a9(E) THRU a17(E)

**SUPERSTRUCTURE DETAILS
CONCRETE WEARING SURFACE
ILL. ROUTE 127 OVER HOGSKIN CREEK
F.A.S. ROUTE 1907 - SECTION 21BR-1
ALEXANDER COUNTY
STATION 281+60.00
STRUCTURE NO. 002-0028**