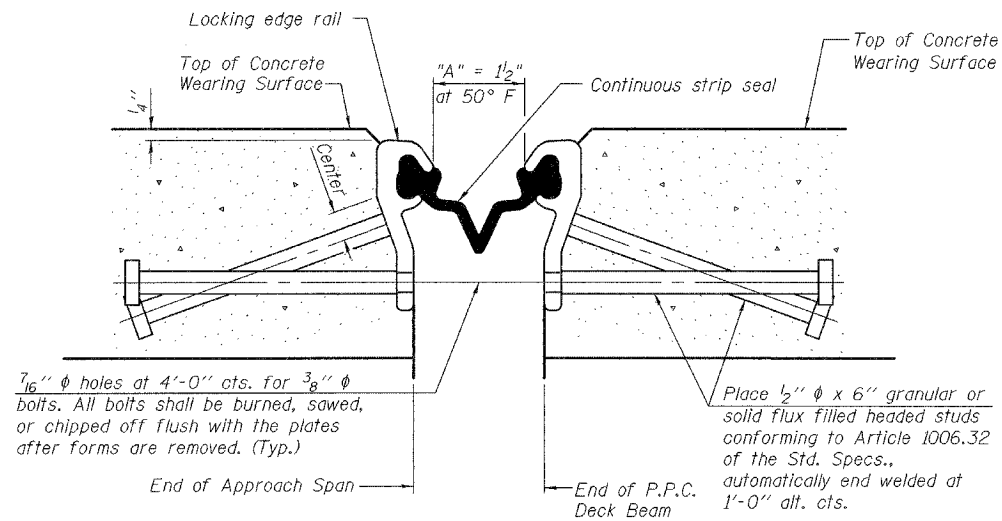


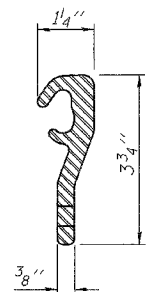
STATE OF ILLINOIS  
DEPARTMENT OF TRANSPORTATION

ROUTE NO.	SECTION	COUNTY	TOTAL SHEETS	SHEET NO.	SHEET NO. 10
F.A.S. 1907	21BR-1	ALEXANDER	82	22	16 SHEETS
FED. ROAD DIST. NO. 7	ILLINOIS		FED. AID PROJECT-		

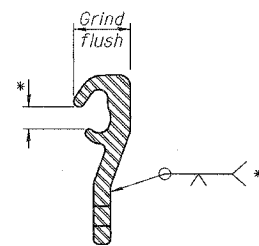
Contract #78032



**SECTION THRU STRIP SEAL JOINT**



**LOCKING EDGE RAIL**



**LOCKING EDGE RAIL SPLICE**

\* Omit weld at seal opening.

**Notes:**

- The strip seal shall be made continuous and shall have a minimum thickness of 1/4". The configuration of the strip seal shall match the configuration of the Locking Edge Rails.
- All steel components shall be galvanized after fabrication according to Article 520.03 of the Standard Specifications.
- The height and thickness of the Locking Edge Rails shown are minimum dimensions. The actual configuration of the Locking Edge Rails and matching strip seal may vary from manufacturer to manufacturer. Flanged edge rails will not be allowed.
- The inside of the Locking Edge Rail groove shall be free of weld residue.
- Locking Edge Rails may be spliced at slope discontinuities and stage construction joints.
- The manufacturer's recommended installation methods shall be followed.

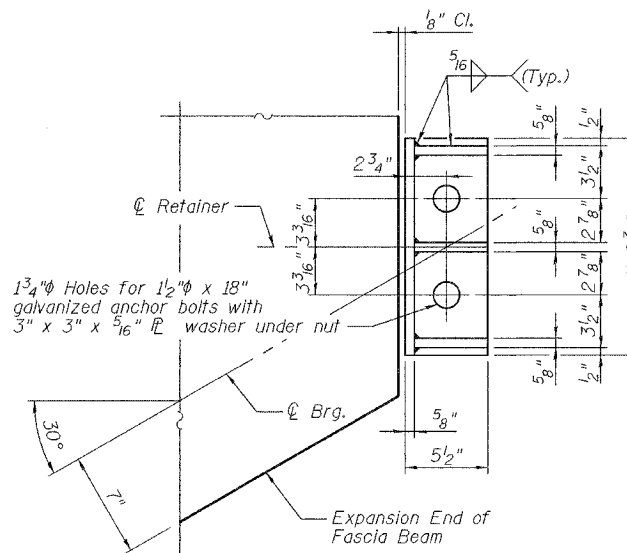
**BILL OF MATERIAL**

Item	Unit	Quantity
Preformed Joint	Foot	74
Strip Seal		



DESIGNED	YSS
CHECKED	RLM
DRAWN	PRC
CHECKED	YSS

03/04/08



**SIDE RETAINER**

(4 Required)

**Notes:**

- Equivalent rolled angle with stiffeners will be allowed in lieu of welded plates.
- Fill 1/8" gap with shim  $\bar{r}$  to provide temporary lateral support until shear keys have been grouted and concrete wearing surface has been placed.
- Anchor bolts shall be ASTM A 307 Gr. C or ASTM F1554 Gr. 36 all-thread. The corresponding specified grade of AASHTO M 314 anchor bolts may be used in lieu of ASTM F1554.
- Side retainers, anchor bolts, nuts and washers shall be galvanized according to AASHTO M 111 or M 232 (as applicable).
- Drilled and set anchor bolts shall be installed according to Article 521.06 of the Standard Specifications.
- Cost of retainer angles, anchor bolts, and accessories are included with Precast Prestressed Concrete Deck Beams (17" Depth).

**EXPANSION JOINT AND  
SIDE RETAINER DETAILS**  
ILL. ROUTE 127 OVER HOGSKIN CREEK  
F.A.S. ROUTE 1907 - SECTION 21BR-1  
ALEXANDER COUNTY  
STATION 281+60.00  
STRUCTURE NO. 002-0028